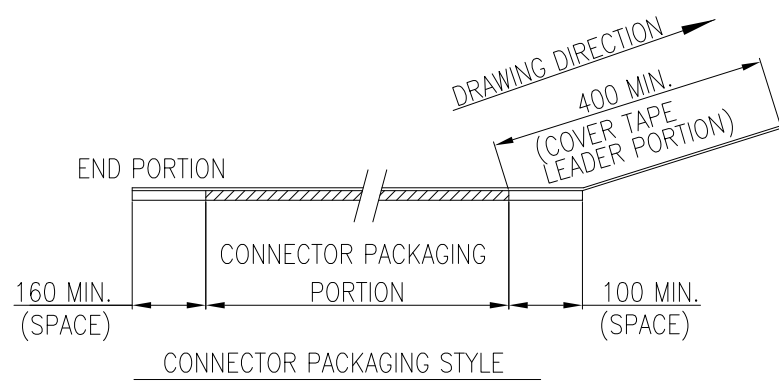
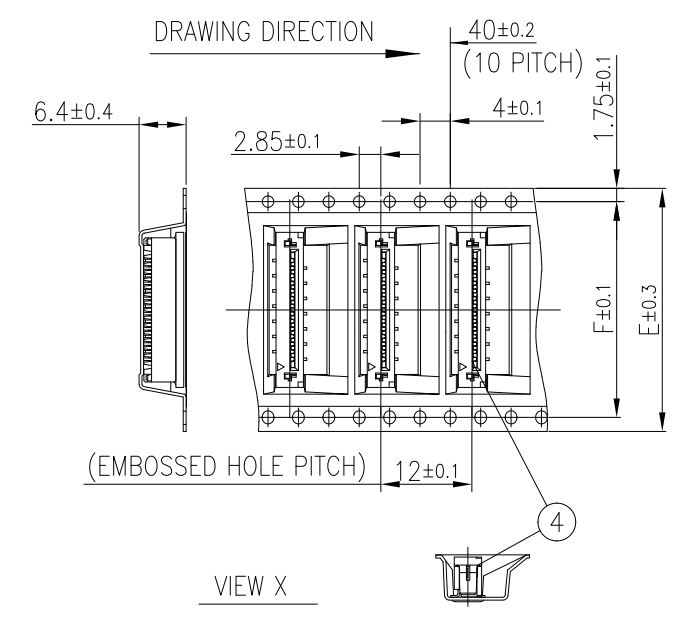
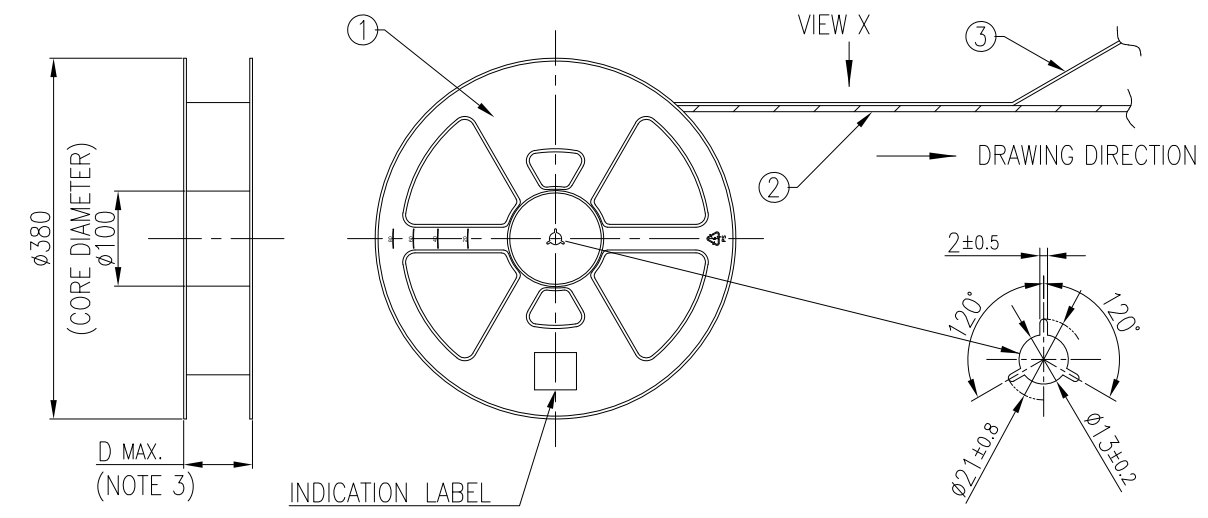


PRODUCT NO.
SFW__S-2STE1LF
SFW__S-2STME1LF
SFW__S-2STAE1LF
SFW__S-2STMAE1LF

CAT. NO. & DIMENSIONS

NO. OF CONT (n)	CAT. NO.	DIMENSIONS		
		△D	E	F
4	SFW4S-2ST__E1LF	30.4	24	—
5	SFW5S-2ST__E1LF	30.4	24	—
6	SFW6S-2ST__E1LF	30.4	24	—
7	SFW7S-2ST__E1LF	30.4	24	—
8	SFW8S-2ST__E1LF	30.4	24	—
9	SFW9S-2ST__E1LF	30.4	24	—
10	SFW10S-2ST__E1LF	30.4	24	—
11	SFW11S-2ST__E1LF	30.4	24	—
12	SFW12S-2ST__E1LF	38.4	32	28.4
13	SFW13S-2ST__E1LF	38.4	32	28.4
14	SFW14S-2ST__E1LF	38.4	32	28.4
15	SFW15S-2ST__E1LF	38.4	32	28.4
16	SFW16S-2ST__E1LF	50.4	44	40.4
18	SFW18S-2ST__E1LF	50.4	44	40.4
20	SFW20S-2ST__E1LF	50.4	44	40.4
22	SFW22S-2ST__E1LF	50.4	44	40.4
23	SFW23S-2ST__E1LF	50.4	44	40.4
24	SFW24S-2ST__E1LF	50.4	44	40.4
26	SFW26S-2ST__E1LF	50.4	44	40.4
28	SFW28S-2ST__E1LF	62.4	56	52.4
29	SFW29S-2ST__E1LF	62.4	56	52.4
30	SFW30S-2ST__E1LF	62.4	56	52.4

△ FOR E1 PACKAGING OPTION



MATERIAL TABLE

PT. NO.	PARTS NAME	CAT. NO.	MATERIAL	COLOR
1	REEL		△ POLYSTYRENE	△ BLACK
2	EMBOSS TAPE		PS	TRANSPARENT
3	COVER TAPE		POLYESTER,POLYETHYLENE	TRANSPARENT
4	CONNECTOR	SFW__S-2ST____LF	SEE SHEET 2	

PACKAGING OPTION TABLE

PRODUCT NUMBER	PACKAGING OPTION	REEL MATERIAL	REEL DIAMETER	CONNECTOR QUANTITY
SFW__S-2STE1LF	E1	△ PLASTIC	△ ø380	1000 / REEL
SFW__S-2STME1LF				
SFW__S-2STAE1LF				
SFW__S-2STMAE1LF				

NOTES

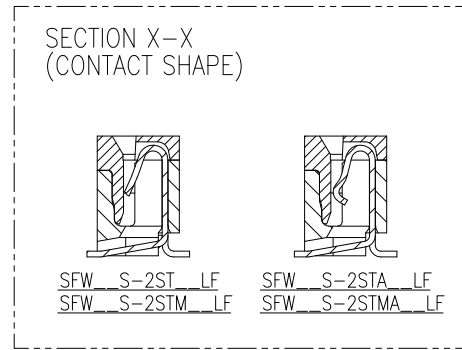
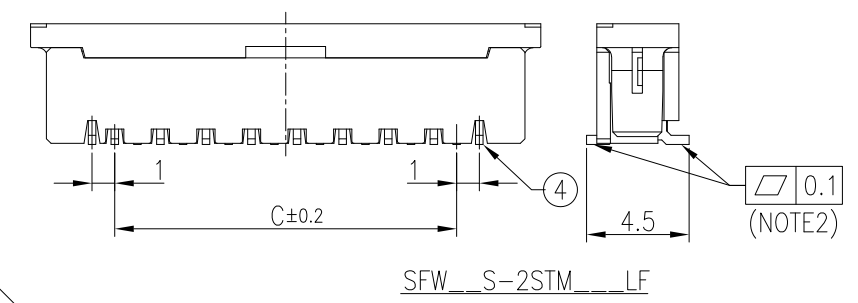
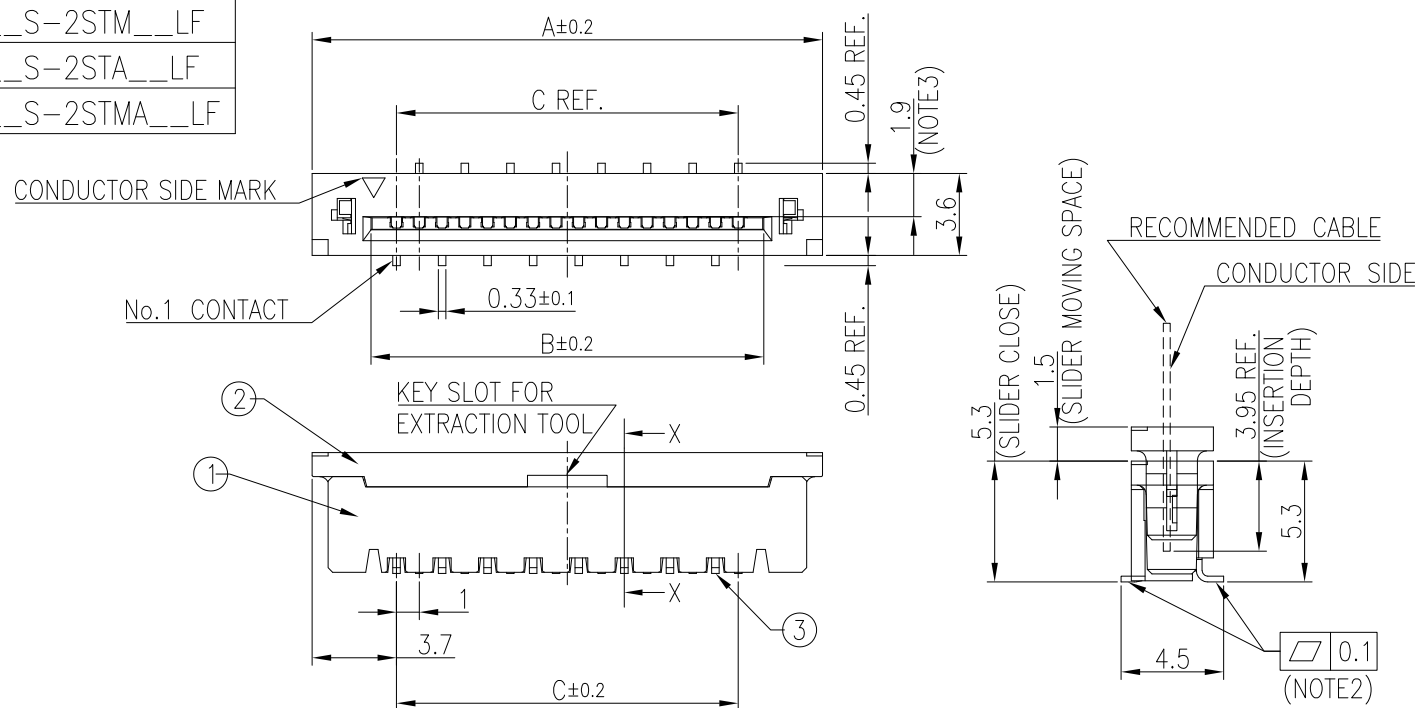
- THIS IS PLASTIC TAPE PACKAGED CONNECTOR DESIGNED TO TERMINATE FPC/FFC AND COPES WITH AUTOMATIC MOUNTING (SMT).
- SEE JIS C 0806 (PACKING OF ELECTRONIC COMPONENTS ON CONTINUOUS TAPES (SURFACE MOUNTING DEVICES)) FOR SHAPE AND DIMENSIONS OF PLASTIC (EMBOSS) TAPE AND REEL.
- D DIMENSION IS PORTION OF THE CORE.

mat'l. code SEE_TABLE		surface ISO 1302 ✓		tolerance ISO 406 ISO 1101		projection MM		product family 58SF	
ltr	ecn no	dr	date	tolerances unless otherwise specified		MM		title PLASTIC TAPE PACKAGED 1mm CONTACT SPACING CONNECTOR (Cat. No. SFW__S-2ST__E1LF)	
A		S.W	2023-12-18	angles	linear	scale N/A		dwg no 10172832	
				0°±5'	0.X/±0.5 0.XX/±0.5 0.XXX/±0.5			sheet 1 of 4 A3	
				dr	S.WATANABE	2023-12-18		type PRODUCT CUSTOMER DRAWING	
				enr	S.WATANABE	2023-12-18			
				chr	AN.MUHAMMAD-NABEEL	2023-12-18			
				app	Y.KAMEDA	2023-12-18			
sheet index	revision sheet	A	A	A	A				
		1	2	3	4				

Amphenol FCI

2016 AFCI

PRODUCT NO.
SFW__S-2ST__LF
SFW__S-2STM__LF
SFW__S-2STA__LF
SFW__S-2STMA__LF



CAT. NO. & DIMENSIONS

NO. OF CONT (n)	CAT. NO.	DIMENSIONS		
		A	B	C
4	SFW4S-2ST__LF	10.4	5.24	3.0
5	SFW5S-2ST__LF	11.4	6.24	4.0
6	SFW6S-2ST__LF	12.4	7.24	5.0
7	SFW7S-2ST__LF	13.4	8.24	6.0
8	SFW8S-2ST__LF	14.4	9.24	7.0
9	SFW9S-2ST__LF	15.4	10.24	8.0
10	SFW10S-2ST__LF	16.4	11.24	9.0
11	SFW11S-2ST__LF	17.4	12.24	10.0
12	SFW12S-2ST__LF	18.4	13.24	11.0
13	SFW13S-2ST__LF	19.4	14.24	12.0
14	SFW14S-2ST__LF	20.4	15.24	13.0
15	SFW15S-2ST__LF	21.4	16.24	14.0
16	SFW16S-2ST__LF	22.4	17.24	15.0
18	SFW18S-2ST__LF	24.4	19.24	17.0
20	SFW20S-2ST__LF	26.4	21.24	19.0
22	SFW22S-2ST__LF	28.4	23.24	21.0
23	SFW23S-2ST__LF	29.4	24.24	22.0
24	SFW24S-2ST__LF	30.4	25.24	23.0
26	SFW26S-2ST__LF	32.4	27.24	25.0
28	SFW28S-2ST__LF	34.4	29.24	27.0
29	SFW29S-2ST__LF	35.4	30.24	28.0
30	SFW30S-2ST__LF	36.4	31.24	29.0

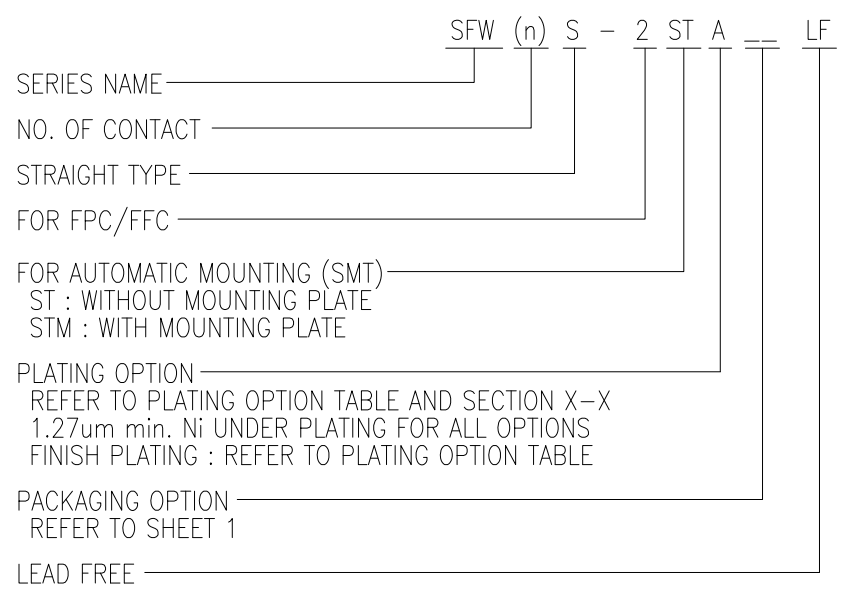
MATERIAL TABLE

PT. NO.	PARTS NAME	MATERIAL	Q'TY	NOTE
1	HOUSING	PPS RESIN GLASS REINFORCED (UL94V-0)	1	COLOR : BROWN
2	SLIDER	PPS RESIN GLASS REINFORCED (UL94V-0)	1	COLOR : BLACK
3	CONTACT	PHOSPHOR BRONZE	n	PLATING : SEE PLATING OPTION (LEAD FREE)
4	MOUNTING PLATE	BRASS	2	Ni UNDER PLATE 1.27um MIN. MATTE TIN 1.0um MIN.

n : NO. OF CONTACTS

NOTES

- THIS PRODUCT IS STRAIGHT TYPE CONNECTOR DESIGNED TO TERMINATE FPC/FFC AND COPES WITH AUTOMATIC MOUNTING (SMT).
- FLATNESS OF CONTACT TERMINAL AND MOUNTING PLATE MUST BE WITHIN 0.1 AS DESCRIBED THE DRAWING.
- THIS DIMENSION IS SPACE FOR THE NOZZLE OF MOUNTER.
- THIS PRODUCT MEETS EUROPEAN UNION DIRECTIVES AND OTHER COUNTRY REGULATIONS AS DESCRIBED IN GS47-0004.
- THE HOUSING WILL WITHSTAND EXPOSURE TO 260°C PEAK TEMPERATURE FOR 10 SECONDS IN A REFLOW SOLDERING OVEN.
- APPLICATION SPEC : GS-20-0584. PRODUCT SPEC : REFER TO PLATING OPTION TABLE.
- CATALOG NUMBER STRUCTURE IS AS FOLLOWINGS.



PLATING OPTION TABLE

PRODUCT NUMBER	PLATING OPTION	CONTACT PLATING	TERMINAL PLATING	PRODUCT SPEC.
SFW__S-2ST__LF	BLANK	MATTE THIN TIN PLATING	MATTE TIN : 1.3um min.	SC-SFWS03
SFW__S-2STM__LF				
SFW__S-2STA__LF	A	GOLD : 0.05um min.	GOLD : 0.05um min.	SC-SFWS05
SFW__S-2STAM__LF				

mat'l. code	surface	tolerance	projection	product family
SEE_TABLE	ISO 1302 ✓	ISO 406 ISO 1101		58SF
ltr	ecn no	dr	date	title
A				1mm SPACING SMT CONNECTOR (Cat. No. SFW__S-2ST__LF)
				dwg no
				10172832
				sheet 2 of 4
				size
				A3
				type
				PRODUCT CUSTOMER DRAWING
sheet index	revision sheet			

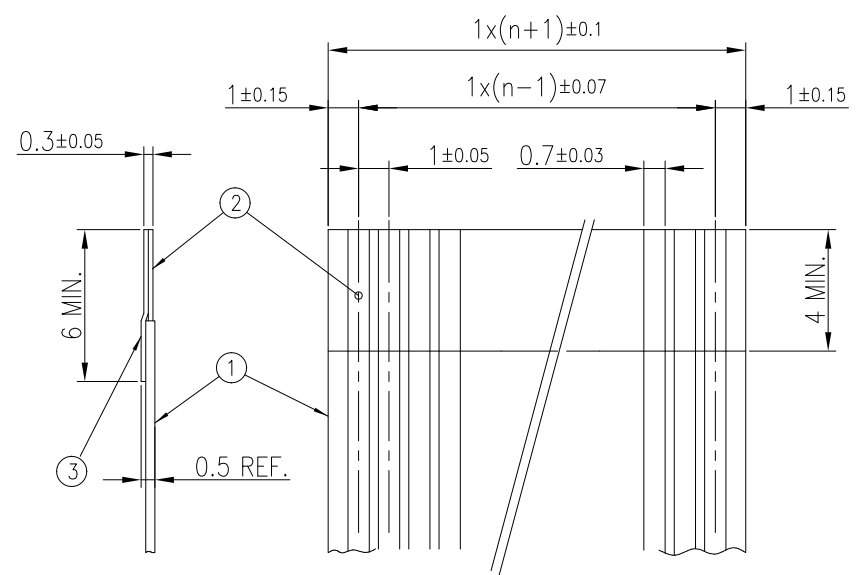
Amphenol FCI

© 2016 AFCI

Amphenol FCI

RECOMMENDED CABLE (FFC)
(NOTE1, NOTE2)

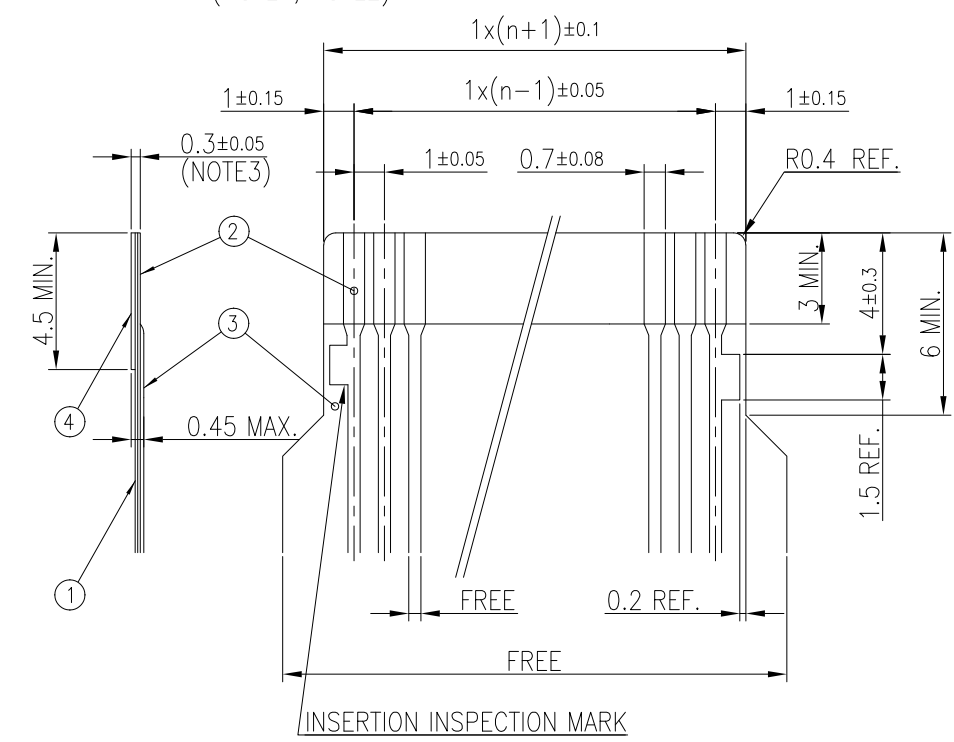
n : NO. OF CONDUCTORS



PT. NO.	DESCRIPTION	MATERIAL
1	INSULATOR	FLAME RESISTING POLYESTER OR EQUIVALENT
2	CONDUCTOR	COPPER FOIL (PLATING : TIN OR GOLD) (NOTE4)
3	SUPPORTING TAPE	FLAME RESISTING POLYESTER OR EQUIVALENT

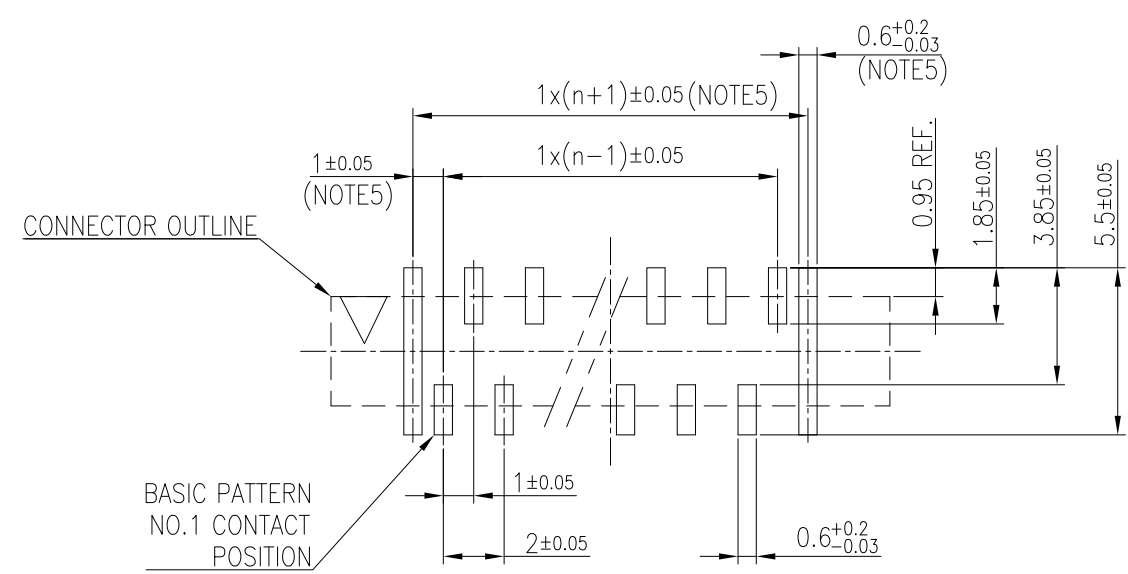
RECOMMENDED CABLE (FPC)
(NOTE1, NOTE2)

n : NO. OF CONDUCTORS



PT. NO.	DESCRIPTION	MATERIAL	THICKNESS (um)
1	BASE FILM	POLYIMIDE OR POLYESTER OR EQUIVALENT	25
2	CONDUCTOR	COPPER FOIL (PLATING : TIN OR GOLD) (NOTE4)	35
3	OVERLAY	POLYIMIDE OR POLYESTER OR EQUIVALENT	—
4	SUPPORTING TAPE	POLYESTER OR POLYIMIDE OR EQUIVALENT	188

RECOMMENDED PC BOARD LAYOUT
(COMPONENT SIDE) (NOTE6, NOTE7)




NOTES

1. NO BURR AT EACH PORTION.
2. NO PEELING IN COMMON USE.
3. TOTAL THICKNESS LIMIT OF EACH MATERIAL (INCLUDING ADHESIVE AGENT) IS SPECIFIED.
4. FINISH PLATING OF CABLE CONDUCTOR AND CONTACT SHOULD BE MATCHED.
5. THESE DIMENSIONS APPLY TO WITH MOUNTING PLATE PART NUMBERS (SFW__S-2STM_E1LF.)
6. RECOMMENDED STENCIL THICKNESS IS 120~150um.
7. RECOMMENDED STENCIL OPENING RATIO IS 100%.


mat'l. code SEE_TABLE		surface ISO 1302 ✓	tolerance ISO 406 ISO 1101	projection MM	product family 58SF
ltr A	ecn no	dr	date	tolerances unless otherwise specified angles linear 0°±2'	title RECOMMENDED CABLE AND PCB (Cat. No. SFW__S-2ST__E1LF)
sheet index		revision sheet	dr S.WATANABE engr S.WATANABE chr AN.MUHAMMAD-NABEEL appd Y.KAMEDA	2023-12-18 2023-12-18 2023-12-18 2023-12-18	dwg no 10172832 type PRODUCT CUSTOMER DRAWING
				scale 4:1	sheet 3 of 4 size A3

SFW_S SERIES PREFERRED PART NUMBERS

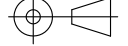

TIN PLATING

	NO. OF CONT (n)	CAT. NO.
●	4	SFW4S-2STE1LF
●	5	SFW5S-2STE1LF
●	6	SFW6S-2STE1LF
	7	SFW7S-2STE1LF
●	8	SFW8S-2STE1LF
	9	SFW9S-2STE1LF
●	10	SFW10S-2STE1LF
●	11	SFW11S-2STE1LF
●	12	SFW12S-2STE1LF
	13	SFW13S-2STE1LF
●	14	SFW14S-2STE1LF
●	15	SFW15S-2STE1LF
●	16	SFW16S-2STE1LF
●	18	SFW18S-2STE1LF
●	20	SFW20S-2STE1LF
●	22	SFW22S-2STE1LF
	23	SFW23S-2STE1LF
●	24	SFW24S-2STE1LF
●	26	SFW26S-2STE1LF
●	28	SFW28S-2STE1LF
	29	SFW29S-2STE1LF
●	30	SFW30S-2STE1LF

GOLD PLATING

	NO. OF CONT (n)	CAT. NO.
	4	SFW4S-2STAE1LF
●	5	SFW5S-2STAE1LF
●	6	SFW6S-2STAE1LF
	7	SFW7S-2STAE1LF
●	8	SFW8S-2STAE1LF
	9	SFW9S-2STAE1LF
●	10	SFW10S-2STAE1LF
	11	SFW11S-2STAE1LF
●	12	SFW12S-2STAE1LF
	13	SFW13S-2STAE1LF
	14	SFW14S-2STAE1LF
	15	SFW15S-2STAE1LF
●	16	SFW16S-2STAE1LF
●	18	SFW18S-2STAE1LF
●	20	SFW20S-2STAE1LF
	22	SFW22S-2STAE1LF
	23	SFW23S-2STAE1LF
	24	SFW24S-2STAE1LF
●	26	SFW26S-2STAE1LF
●	28	SFW28S-2STAE1LF
	29	SFW29S-2STAE1LF
●	30	SFW30S-2STAE1LF



mat'l. code SEE_TABLE		surface ISO 1302 <input checked="" type="checkbox"/> ISO 406 <input type="checkbox"/> ISO 1101 <input type="checkbox"/>		tolerance tolerances unless otherwise specified		projection 		product family 58SF	
ltr	ecn no	dr	date	angles	linear	MM		title 1mm SPACING SMT CONNECTOR (PREFERRED PART NUMBERS LIST)	
A						scale N/A		dwg no 10172832	
				dr	S.WATANABE	2023-12-18		sheet 4 of 4	
				enr	S.WATANABE	2023-12-18		size A3	
				chr	AN.MUHAMMAD-NABEEL	2023-12-18		type PRODUCT CUSTOMER DRAWING	
				app	Y.KAMEDA	2023-12-18			
sheet index	revision sheet								