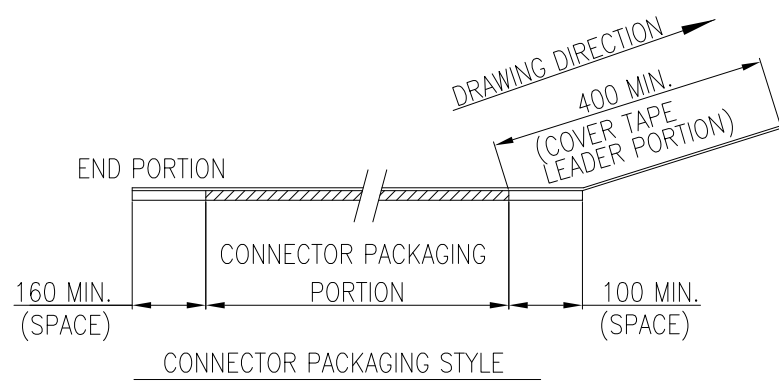
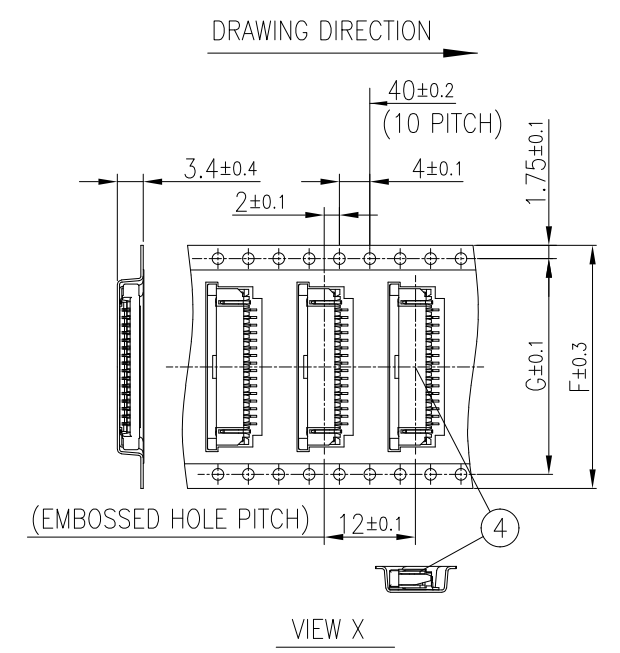
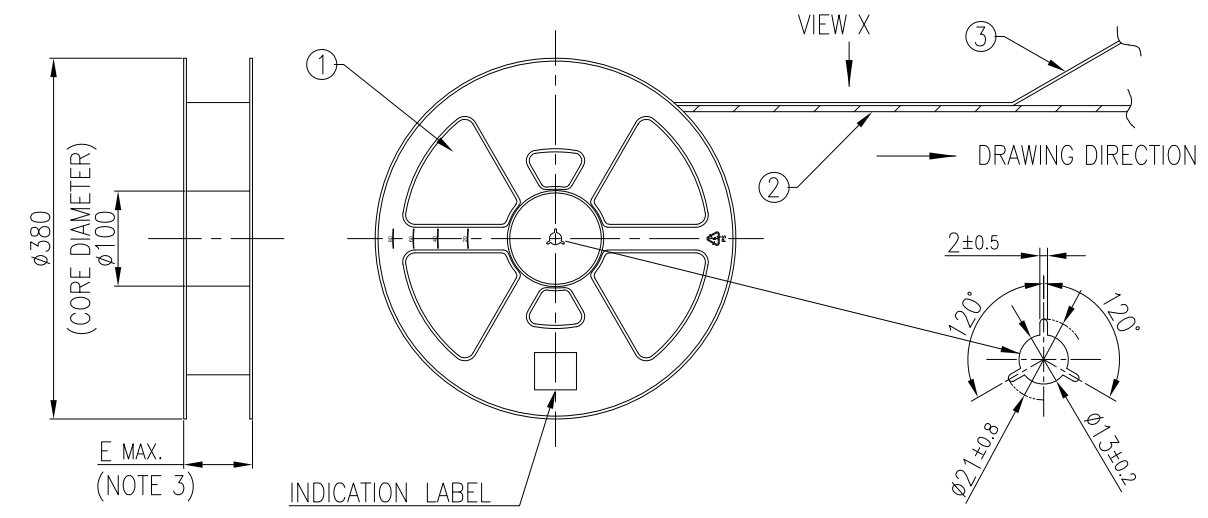


PRODUCT NO.
SFW__R-1STE1LF
SFW__R-1STAE1LF
SFW__R-1STGE1LF
SFW__R-1STE1HLF

CAT. NO. & DIMENSIONS

NO. OF CONT (n)	CAT. NO.	DIMENSIONS		
		△E	F	G
4	SFW4R-1ST_E1_LF	22.4	16	—
5	SFW5R-1ST_E1_LF	30.4	24	—
6	SFW6R-1ST_E1_LF	30.4	24	—
7	SFW7R-1ST_E1_LF	30.4	24	—
8	SFW8R-1ST_E1_LF	30.4	24	—
9	SFW9R-1ST_E1_LF	30.4	24	—
10	SFW10R-1ST_E1_LF	30.4	24	—
11	SFW11R-1ST_E1_LF	30.4	24	—
12	SFW12R-1ST_E1_LF	30.4	24	—
13	SFW13R-1ST_E1_LF	38.4	32	28.4
14	SFW14R-1ST_E1_LF	38.4	32	28.4
15	SFW15R-1ST_E1_LF	38.4	32	28.4
16	SFW16R-1ST_E1_LF	38.4	32	28.4
17	SFW17R-1ST_E1_LF	50.4	44	40.4
18	SFW18R-1ST_E1_LF	50.4	44	40.4
19	SFW19R-1ST_E1_LF	50.4	44	40.4
20	SFW20R-1ST_E1_LF	50.4	44	40.4
21	SFW21R-1ST_E1_LF	50.4	44	40.4
22	SFW22R-1ST_E1_LF	50.4	44	40.4
23	SFW23R-1ST_E1_LF	50.4	44	40.4
24	SFW24R-1ST_E1_LF	50.4	44	40.4
25	SFW25R-1ST_E1_LF	50.4	44	40.4
26	SFW26R-1ST_E1_LF	50.4	44	40.4
27	SFW27R-1ST_E1_LF	50.4	44	40.4
28	SFW28R-1ST_E1_LF	62.4	56	52.4
29	SFW29R-1ST_E1_LF	62.4	56	52.4
30	SFW30R-1ST_E1_LF	62.4	56	52.4

△ FOR E1 PACKAGING OPTION



MATERIAL TABLE

PT. NO.	PARTS NAME	CAT. NO.	MATERIAL	COLOR
1	REEL		△ POLYSTYRENE	△ BLACK
2	EMBOSS TAPE		PS	TRANSPARENT
3	COVER TAPE		POLYESTER,POLYETHYLENE	TRANSPARENT
4	CONNECTOR	SFW__R-1ST____LF	SEE SHEET 2	

PACKAGING OPTION TABLE

PRODUCT NUMBER	PACKAGING OPTION	REEL MATERIAL	REEL DIAMETER	CONNECTOR QUANTITY
SFW__R-1STE1LF	E1	△ PLASTIC	△ ø380	2000 / REEL
SFW__R-1STAE1LF				
SFW__R-1STGE1LF				
SFW__R-1STE1HLF				

NOTES

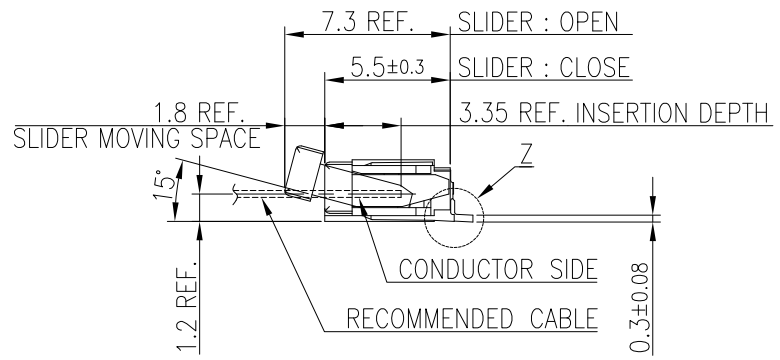
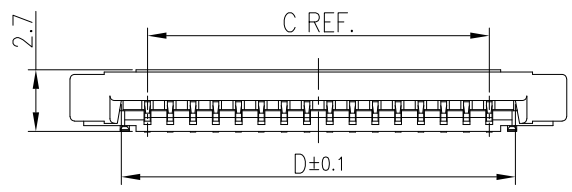
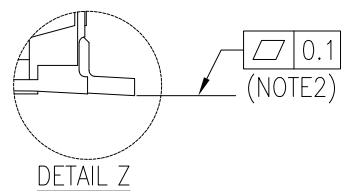
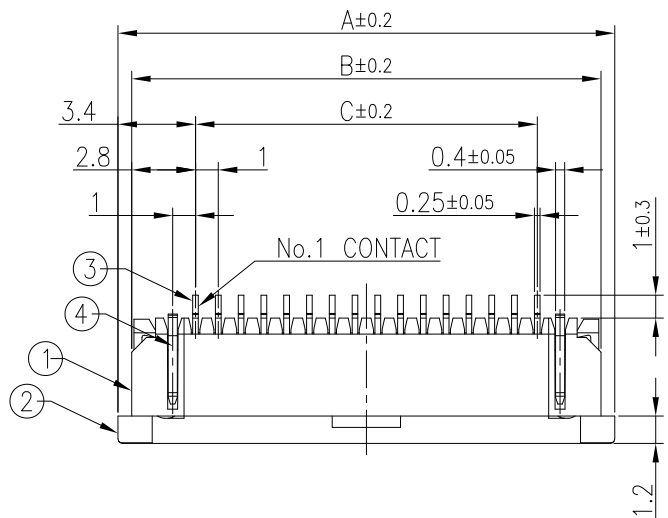
- THIS IS PLASTIC TAPE PACKAGED CONNECTOR DESIGNED TO TERMINATE FPC/FFC AND COPES WITH AUTOMATIC MOUNTING (SMT).
- SEE JIS C 0806 (PACKING OF ELECTRONIC COMPONENTS ON CONTINUOUS TAPES (SURFACE MOUNTING DEVICES)) FOR SHAPE AND DIMENSIONS OF PLASTIC (EMBOSS) TAPE AND REEL.
- E DIMENSION IS PORTION OF THE CORE.

mat'l. code SEE_TABLE		surface ISO 1302 ✓		tolerance ISO 406 ISO 1101		projection MM		product family 58RF	
ltr	ecn no	dr	date	tolerances unless otherwise specified		MM		title PLASTIC TAPE PACKAGED 1mm CONTACT SPACING CONNECTOR (Cat. No. SFW__R-1ST_E1_LF)	
A		S.W	2023-12-20	angles	linear	MM		dwg no sheet 1 of 6 size A3	
				0°±5'	0.XX/±0.5 0.XXX/±0.5	scale N/A		10172241	
				dr	S.WATANABE	2023-12-20		type PRODUCT CUSTOMER DRAWING	
				enr	S.WATANABE	2023-12-20			
				chr	AN.MUHAMMAD-NABEEL	2023-12-20			
				app	Y.KAMEDA	2023-12-20			
sheet index	revision sheet	A	A	A	A	A	A		
		1	2	3	4	5	6		

Amphenol FCI

© 2016 AFCI

PRODUCT NO.
SFW__R-1ST__LF
SFW__R-1STA__LF
SFW__R-1STG__LF
SFW__R-1ST__HLF



CAT. NO. & DIMENSIONS

NO. OF CONT (n)	CAT. NO.	DIMENSIONS			
		A	B	C	D
4	SFW4R-1ST____LF	9.8	8.6	3.0	5.3
5	SFW5R-1ST____LF	10.8	9.6	4.0	6.3
6	SFW6R-1ST____LF	11.8	10.6	5.0	7.3
7	SFW7R-1ST____LF	12.8	11.6	6.0	8.3
8	SFW8R-1ST____LF	13.8	12.6	7.0	9.3
9	SFW9R-1ST____LF	14.8	13.6	8.0	10.3
10	SFW10R-1ST____LF	15.8	14.6	9.0	11.3
11	SFW11R-1ST____LF	16.8	15.6	10.0	12.3
12	SFW12R-1ST____LF	17.8	16.6	11.0	13.3
13	SFW13R-1ST____LF	18.8	17.6	12.0	14.3
14	SFW14R-1ST____LF	19.8	18.6	13.0	15.3
15	SFW15R-1ST____LF	20.8	19.6	14.0	16.3
16	SFW16R-1ST____LF	21.8	20.6	15.0	17.3
17	SFW17R-1ST____LF	22.8	21.6	16.0	18.3
18	SFW18R-1ST____LF	23.8	22.6	17.0	19.3
19	SFW19R-1ST____LF	24.8	23.6	18.0	20.3
20	SFW20R-1ST____LF	25.8	24.6	19.0	21.3
21	SFW21R-1ST____LF	26.8	25.6	20.0	22.3
22	SFW22R-1ST____LF	27.8	26.6	21.0	23.3
23	SFW23R-1ST____LF	28.8	27.6	22.0	24.3
24	SFW24R-1ST____LF	29.8	28.6	23.0	25.3
25	SFW25R-1ST____LF	30.8	29.6	24.0	26.3
26	SFW26R-1ST____LF	31.8	30.6	25.0	27.3
27	SFW27R-1ST____LF	32.8	31.6	26.0	28.3
28	SFW28R-1ST____LF	33.8	32.6	27.0	29.3
29	SFW29R-1ST____LF	34.8	33.6	28.0	30.3
30	SFW30R-1ST____LF	35.8	34.6	29.0	31.3

MATERIAL TABLE

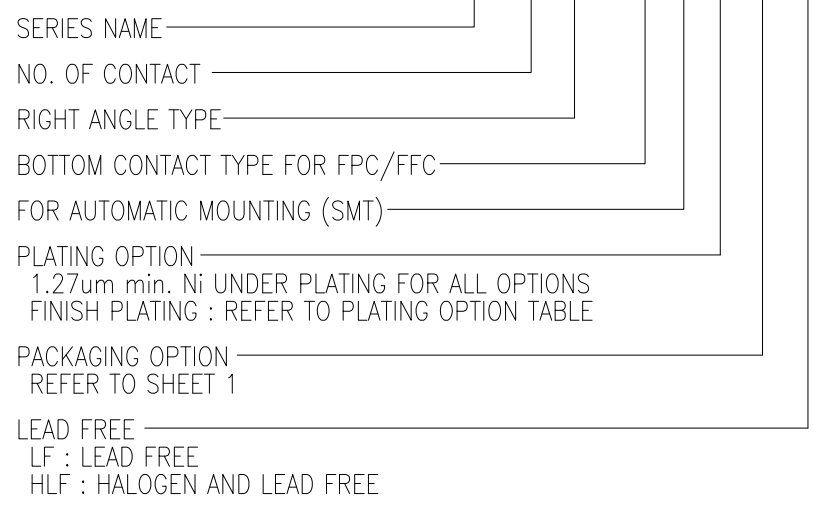
PT. NO.	PARTS NAME	MATERIAL	Q'TY	NOTE	
				-1ST__LF	-1ST__HLF
1	HOUSING	PPS RESIN GLASS REINFORCED (UL94V-0)	1	COLOR : BROWN	COLOR : BLACK (HALOGEN FREE)
2	SLIDER		1	COLOR : BLACK	COLOR : BLACK (HALOGEN FREE)
3	CONTACT	PHOSPHOR BRONZE	n	PLATING : SEE PLATING OPTION (LEAD FREE)	
4	MOUNTING PLATE		2	PLATING : MATTE TIN 1um min. (LEAD FREE) NICKEL UNDER PLATING 1.27um min.	

n : NO. OF CONTACTS

NOTES

- THIS PRODUCT IS THE BOTTOM CONTACT TYPE CONNECTOR DESIGNED TO TERMINATE FPC/FFC AND COPES WITH AUTOMATIC MOUNTING (SMT).
- FLATNESS OF CONTACT TERMINAL AND MOUNTING PLATE MUST BE WITHIN TOLERANCE IN DETAIL Z.
- THIS PRODUCT MEETS EUROPEAN UNION DIRECTIVES AND OTHER COUNTRY REGULATIONS AS DESCRIBED IN GS47-0004.
- THE HOUSING WILL WITHSTAND EXPOSURE TO 260°C PEAK TEMPERATURE FOR 10 SECONDS IN A REFLOW SOLDERING OVEN.
- APPLICATION SPEC : GS-20-129. PRODUCT SPEC : REFER TO PLATING OPTION TABLE.
- CATALOG NUMBER STRUCTURE IS AS FOLLOWINGS.

SFW (n) R - 1 ST A \_\_ LF



PLATING OPTION TABLE

PRODUCT NUMBER	PLATING OPTION	CONTACT PLATING	TERMINAL PLATING	PRODUCT SPEC.
SFW__R-1ST__LF	BLANK	MATTE THIN TIN PLATING	MATTE TIN : 1.5um min.	SC-SFW10
SFW__R-1STA__LF	A	GOLD : 0.75um min.	MATTE TIN : 1.5um min.	SC-SFW14
SFW__R-1STG__LF	G	GOLD : 0.05um min.	GOLD : 0.05um min.	
SFW__R-1ST__HLF	BLANK	MATTE THIN TIN PLATING	MATTE TIN : 1.5um min.	GS-12-682

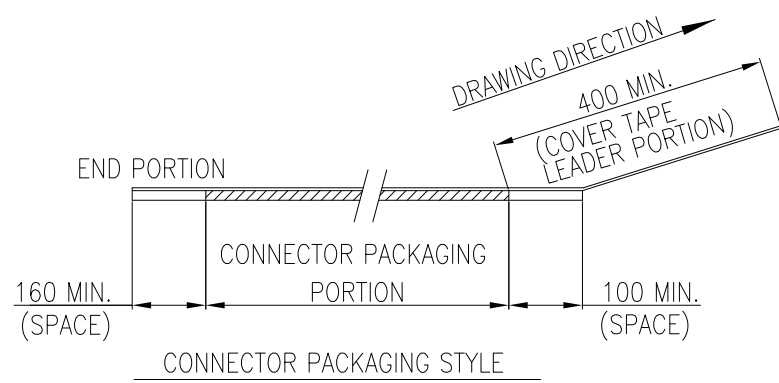
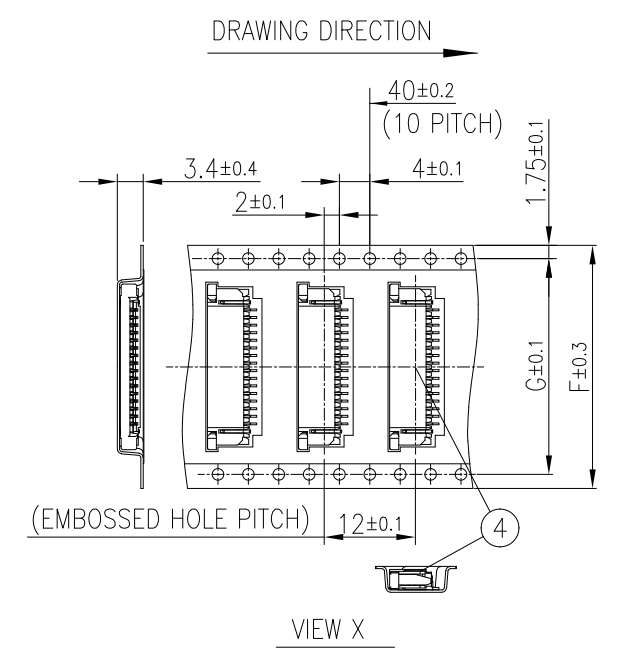
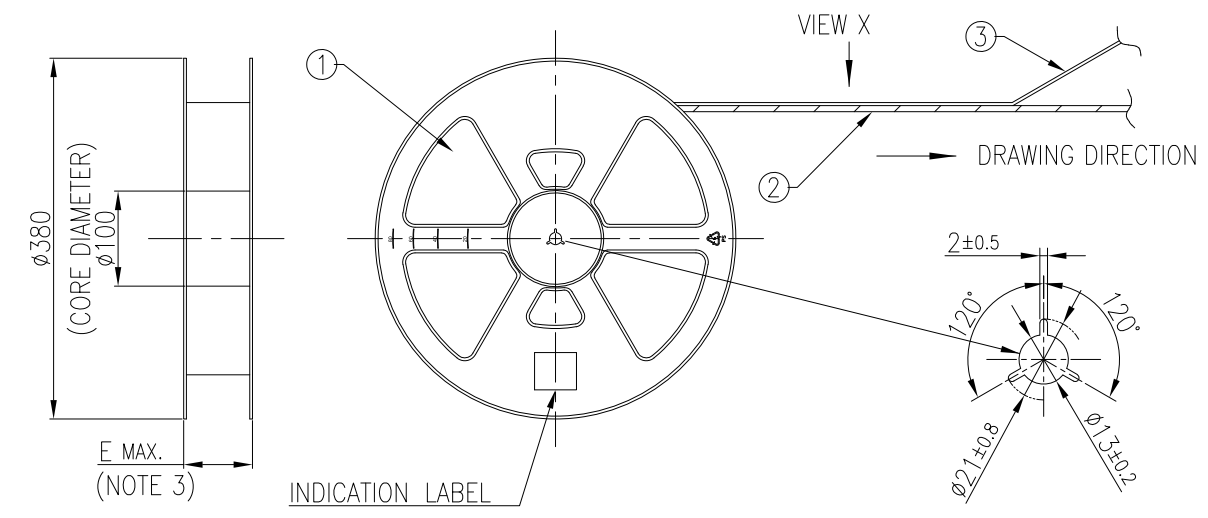
mat'l. code		surface		tolerance		projection		product family	
SEE_TABLE		ISO 1302 ✓		ISO 406 ISO 1101				58RF	
ltr	ecn no	dr	date	tolerances unless otherwise specified				title	
A				angles	linear	MM		1mm SPACING SMT CONNECTOR	
				0°±2'		scale 3:1		(Cat. No. SFW__R-1ST____LF)	
		dr	S.WATANABE	2023-12-20				dwg no	
		enr	S.WATANABE	2023-12-20				sheet 2 of 6	
		chr	AN.MUHAMMAD-NABEEL	2023-12-20				size	
		appd	Y.KAMEDA	2023-12-20				A3	
sheet index		revision sheet						type	
								PRODUCT CUSTOMER DRAWING	

PRODUCT NO.
SFW__R-2STE1LF
SFW__R-2STAE1LF
SFW__R-2STGE1LF
SFW__R-2STE1HLF

CAT. NO. & DIMENSIONS

NO. OF CONT (n)	CAT. NO.	DIMENSIONS		
		△E	F	G
4	SFW4R-2ST_E1_LF	22.4	16	—
5	SFW5R-2ST_E1_LF	30.4	24	—
6	SFW6R-2ST_E1_LF	30.4	24	—
7	SFW7R-2ST_E1_LF	30.4	24	—
8	SFW8R-2ST_E1_LF	30.4	24	—
9	SFW9R-2ST_E1_LF	30.4	24	—
10	SFW10R-2ST_E1_LF	30.4	24	—
11	SFW11R-2ST_E1_LF	30.4	24	—
12	SFW12R-2ST_E1_LF	30.4	24	—
13	SFW13R-2ST_E1_LF	38.4	32	28.4
14	SFW14R-2ST_E1_LF	38.4	32	28.4
15	SFW15R-2ST_E1_LF	38.4	32	28.4
16	SFW16R-2ST_E1_LF	38.4	32	28.4
17	SFW17R-2ST_E1_LF	50.4	44	40.4
18	SFW18R-2ST_E1_LF	50.4	44	40.4
19	SFW19R-2ST_E1_LF	50.4	44	40.4
20	SFW20R-2ST_E1_LF	50.4	44	40.4
21	SFW21R-2ST_E1_LF	50.4	44	40.4
22	SFW22R-2ST_E1_LF	50.4	44	40.4
23	SFW23R-2ST_E1_LF	50.4	44	40.4
24	SFW24R-2ST_E1_LF	50.4	44	40.4
25	SFW25R-2ST_E1_LF	50.4	44	40.4
26	SFW26R-2ST_E1_LF	50.4	44	40.4
27	SFW27R-2ST_E1_LF	50.4	44	40.4
28	SFW28R-2ST_E1_LF	62.4	56	52.4
29	SFW29R-2ST_E1_LF	62.4	56	52.4
30	SFW30R-2ST_E1_LF	62.4	56	52.4

△ FOR E1 PACKAGING OPTION



MATERIAL TABLE

PT. NO.	PARTS NAME	CAT. NO.	MATERIAL	COLOR
1	REEL		△ POLYSTYRENE	△ BLACK
2	EMBOSS TAPE		PS	TRANSPARENT
3	COVER TAPE		POLYESTER,POLYETHYLENE	TRANSPARENT
4	CONNECTOR	SFW__R-2ST____LF	SEE SHEET 4	

PACKAGING OPTION TABLE

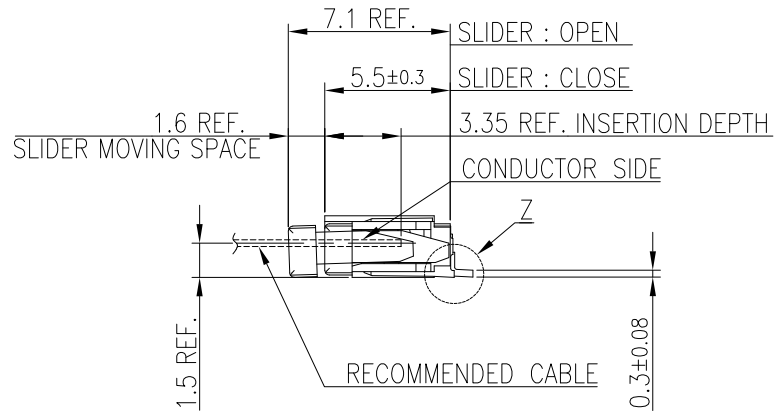
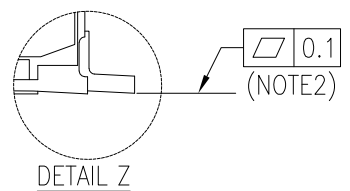
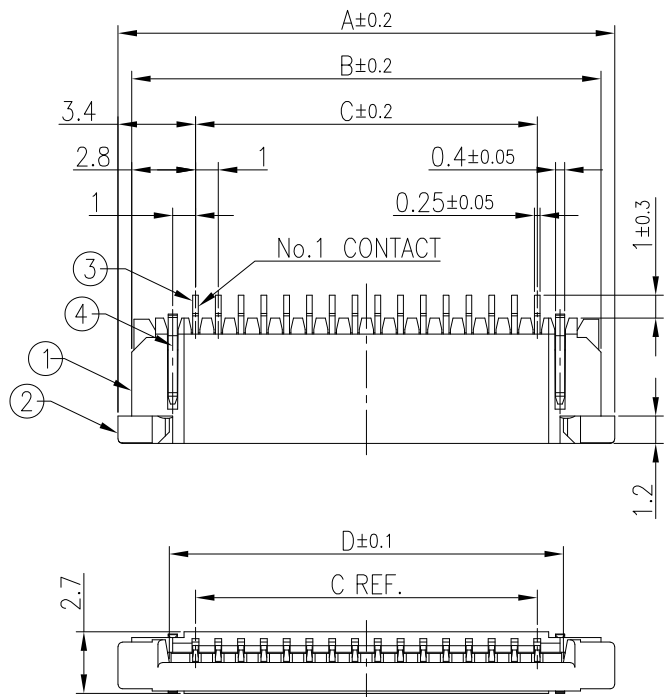
PRODUCT NUMBER	PACKAGING OPTION	REEL MATERIAL	REEL DIAMETER	CONNECTOR QUANTITY
SFW__R-2STE1LF	E1	△ PLASTIC	△ ø380	2000 / REEL
SFW__R-2STAE1LF				
SFW__R-2STGE1LF				
SFW__R-2STE1HLF				

NOTES

- THIS IS PLASTIC TAPE PACKAGED CONNECTOR DESIGNED TO TERMINATE FPC/FFC AND COPES WITH AUTOMATIC MOUNTING (SMT).
- SEE JIS C 0806 (PACKING OF ELECTRONIC COMPONENTS ON CONTINUOUS TAPES (SURFACE MOUNTING DEVICES)) FOR SHAPE AND DIMENSIONS OF PLASTIC (EMBOSS) TAPE AND REEL.
- E DIMENSION IS PORTION OF THE CORE.

mat'l. code SEE_TABLE		surface ISO 1302 ✓		tolerance ISO 406 ISO 1101		projection MM		product family 58RF	
ltr	ecn no	dr	date	tolerances unless otherwise specified		MM		title PLASTIC TAPE PACKAGED 1mm CONTACT SPACING CONNECTOR (Cat. No. SFW__R-2ST_E1_LF)	
A				angles	linear	0.X/±0.5 0.XX/±0.5 0.XXX/±0.5		scale N/A	
		dr	S.WATANABE	2023-12-20		Amphenol FCI		dwg no sheet 3 of 6 size 10172241 A3	
		enr	S.WATANABE	2023-12-20				type PRODUCT CUSTOMER DRAWING	
		chr	AN.MUHAMMAD-NABEEL	2023-12-20					
		app	Y.KAMEDA	2023-12-20					
sheet index	revision sheet								

PRODUCT NO.
SFW__R-2ST__LF
SFW__R-2STA__LF
SFW__R-2STG__LF
SFW__R-2ST__HLF



CAT. NO. & DIMENSIONS

NO. OF CONT (n)	CAT. NO.	DIMENSIONS			
		A	B	C	D
4	SFW4R-2ST____LF	9.8	8.6	3.0	5.3
5	SFW5R-2ST____LF	10.8	9.6	4.0	6.3
6	SFW6R-2ST____LF	11.8	10.6	5.0	7.3
7	SFW7R-2ST____LF	12.8	11.6	6.0	8.3
8	SFW8R-2ST____LF	13.8	12.6	7.0	9.3
9	SFW9R-2ST____LF	14.8	13.6	8.0	10.3
10	SFW10R-2ST____LF	15.8	14.6	9.0	11.3
11	SFW11R-2ST____LF	16.8	15.6	10.0	12.3
12	SFW12R-2ST____LF	17.8	16.6	11.0	13.3
13	SFW13R-2ST____LF	18.8	17.6	12.0	14.3
14	SFW14R-2ST____LF	19.8	18.6	13.0	15.3
15	SFW15R-2ST____LF	20.8	19.6	14.0	16.3
16	SFW16R-2ST____LF	21.8	20.6	15.0	17.3
17	SFW17R-2ST____LF	22.8	21.6	16.0	18.3
18	SFW18R-2ST____LF	23.8	22.6	17.0	19.3
19	SFW19R-2ST____LF	24.8	23.6	18.0	20.3
20	SFW20R-2ST____LF	25.8	24.6	19.0	21.3
21	SFW21R-2ST____LF	26.8	25.6	20.0	22.3
22	SFW22R-2ST____LF	27.8	26.6	21.0	23.3
23	SFW23R-2ST____LF	28.8	27.6	22.0	24.3
24	SFW24R-2ST____LF	29.8	28.6	23.0	25.3
25	SFW25R-2ST____LF	30.8	29.6	24.0	26.3
26	SFW26R-2ST____LF	31.8	30.6	25.0	27.3
27	SFW27R-2ST____LF	32.8	31.6	26.0	28.3
28	SFW28R-2ST____LF	33.8	32.6	27.0	29.3
29	SFW29R-2ST____LF	34.8	33.6	28.0	30.3
30	SFW30R-2ST____LF	35.8	34.6	29.0	31.3

MATERIAL TABLE

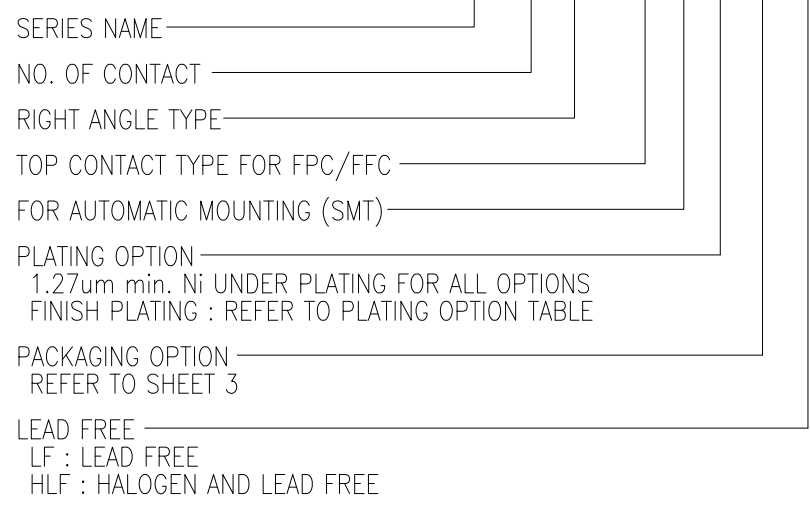
PT. NO.	PARTS NAME	MATERIAL	Q'TY	NOTE	
				-2ST__LF	-2ST__HLF
1	HOUSING	PPS RESIN GLASS REINFORCED (UL94V-0)	1	COLOR : BROWN	COLOR : BLACK (HALOGEN FREE)
2	SLIDER		1	COLOR : BLACK	COLOR : BLACK (HALOGEN FREE)
3	CONTACT	PHOSPHOR BRONZE	n	PLATING : SEE PLATING OPTION (LEAD FREE)	
4	MOUNTING PLATE		2	PLATING : MATTE TIN 1um min. (LEAD FREE) NICKEL UNDER PLATING 1.27um min.	

n : NO. OF CONTACTS

NOTES

1. THIS PRODUCT IS THE TOP CONTACT TYPE CONNECTOR DESIGNED TO TERMINATE FPC/FFC AND COPES WITH AUTOMATIC MOUNTING (SMT).
2. FLATNESS OF CONTACT TERMINAL AND MOUNTING PLATE MUST BE WITHIN TOLERANCE IN DETAIL Z.
3. THIS PRODUCT MEETS EUROPEAN UNION DIRECTIVES AND OTHER COUNTRY REGULATIONS AS DESCRIBED IN GS47-0004.
4. THE HOUSING WILL WITHSTAND EXPOSURE TO 260°C PEAK TEMPERATURE FOR 10 SECONDS IN A REFLOW SOLDERING OVEN.
5. APPLICATION SPEC : GS-20-129. PRODUCT SPEC : REFER TO PLATING OPTION TABLE.
6. CATALOG NUMBER STRUCTURE IS AS FOLLOWINGS.

SFW (n) R - 2 ST A \_\_ LF



PLATING OPTION TABLE

PRODUCT NUMBER	PLATING OPTION	CONTACT PLATING	TERMINAL PLATING	PRODUCT SPEC.
SFW__R-2ST__LF	BLANK	MATTE THIN TIN PLATING	MATTE TIN : 1.5um min.	SC-SFW10
SFW__R-2STA__LF	A	GOLD : 0.75um min.	MATTE TIN : 1.5um min.	SC-SFW14
SFW__R-2STG__LF	G	GOLD : 0.05um min.	GOLD : 0.05um min.	
SFW__R-2ST__HLF	BLANK	MATTE THIN TIN PLATING	MATTE TIN : 1.5um min.	GS-12-682

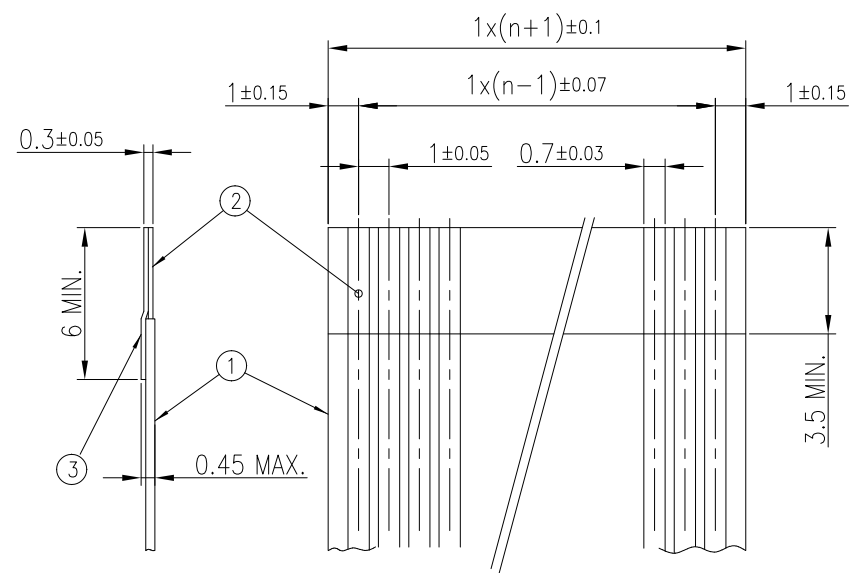
mat'l. code		surface		tolerance		projection		product family	
SEE_TABLE		ISO 1302 ✓		ISO 406 ISO 1101				58RF	
ltr	ecn no	dr	date	tolerances unless otherwise specified				title	
A				angles	linear	MM		1mm SPACING SMT CONNECTOR	
				0°±2'	0.XX/±0.2	scale 3:1		(Cat. No. SFW__R-2ST__LF)	
				0.XXX/±0.2				dwg no	
				dr	S.WATANABE	2023-12-20	sheet 4 of 6		size
				enr	S.WATANABE	2023-12-20	10172241		A3
				chr	AN.MUHAMMAD-NABEEL	2023-12-20	type		PRODUCT CUSTOMER DRAWING
				appd	Y.KAMEDA	2023-12-20			
sheet index	revision sheet								

Amphenol FCI

© 2016 AFCI

RECOMMENDED CABLE (FFC)  
(NOTE1, NOTE2)

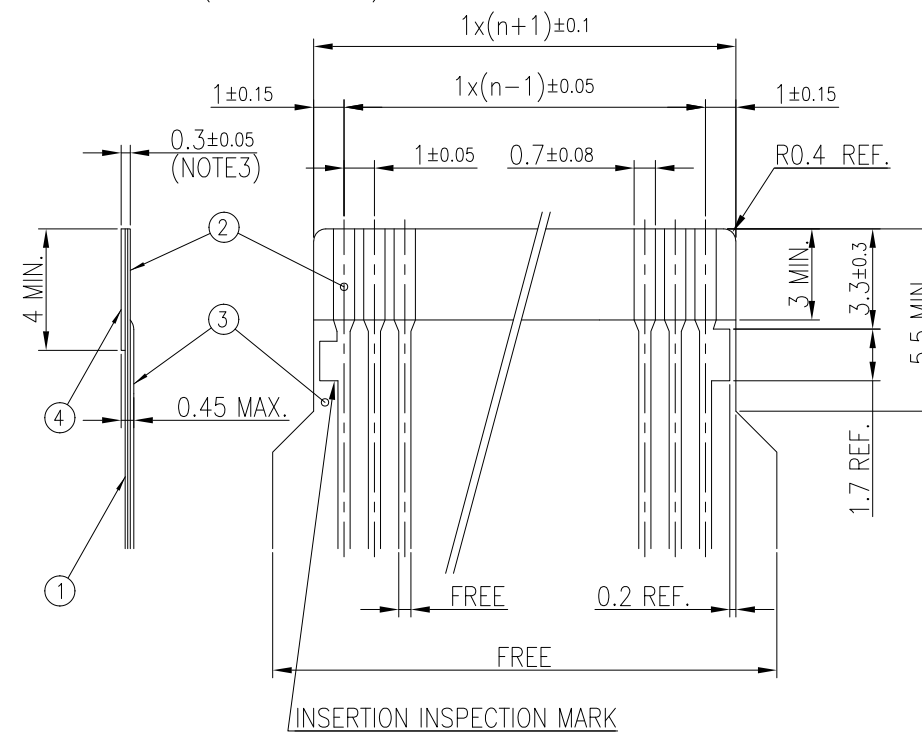
n : NO. OF CONDUCTORS



PT. NO.	DESCRIPTION	MATERIAL
1	INSULATOR	FLAME RESISTING POLYESTER OR EQUIVALENT
2	CONDUCTOR	COPPER FOIL (PLATING : TIN OR GOLD) (NOTE4)
3	SUPPORTING TAPE	FLAME RESISTING POLYESTER OR EQUIVALENT

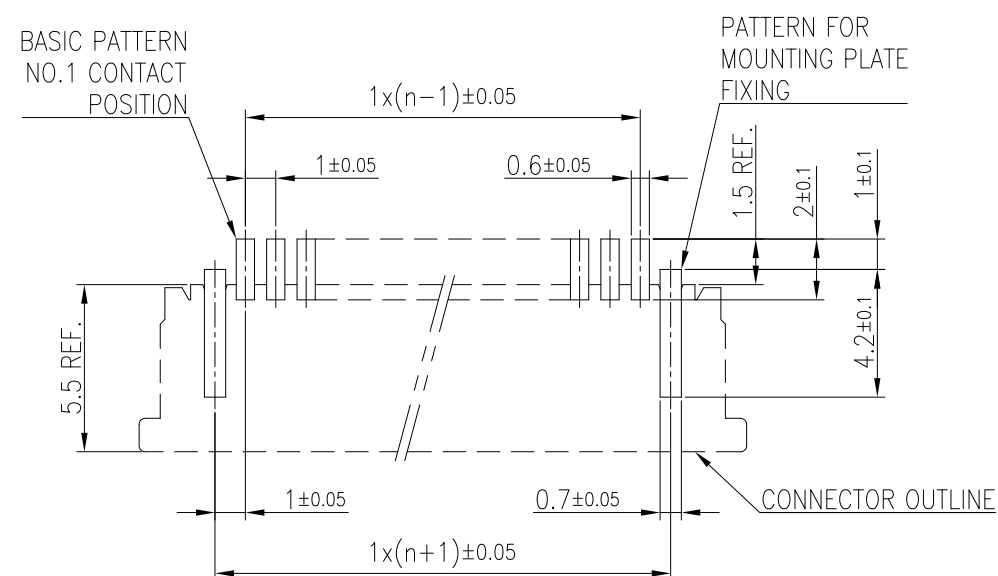
RECOMMENDED CABLE (FPC)  
(NOTE1, NOTE2)

n : NO. OF CONDUCTORS



PT. NO.	DESCRIPTION	MATERIAL	THICKNESS (um)
1	BASE FILM	POLYIMIDE OR POLYESTER OR EQUIVALENT	25
2	CONDUCTOR	COPPER FOIL (PLATING : TIN OR GOLD) (NOTE4)	35
3	OVERLAY	POLYIMIDE OR POLYESTER OR EQUIVALENT	—
4	SUPPORTING TAPE	POLYESTER OR POLYIMIDE OR EQUIVALENT	188

RECOMMENDED PC BOARD LAYOUT  
(COMPONENT SIDE) (NOTE5, NOTE6)




NOTES

1. NO BURR AT EACH PORTION.
2. NO PEELING IN COMMON USE.
3. TOTAL THICKNESS LIMIT OF EACH MATERIAL (INCLUDING ADHESIVE AGENT) IS SPECIFIED.
4. FINISH PLATING OF CABLE CONDUCTOR AND CONTACT SHOULD BE MATCHED.
5. RECOMMENDED STENCIL THICKNESS IS 120~150um.
6. RECOMMENDED STENCIL OPENING RATIO IS 100%.


mat'l. code		surface		tolerance		projection		product family	
SEE_TABLE		ISO 1302 ✓		ISO 406 ISO 1101				58RF	
ltr	ecn no	dr	date	tolerances unless otherwise specified				title	
A				angles linear 0°±2'		0.X/±0.3 0.XX/±0.3 0.XXX/±0.3		RECOMMENDED CABLE AND PCB (Cat. No. SFW__R-1/2ST_E1_LF)	
sheet index		revision sheet		dr				dwg no 10172241	
				engr				sheet 5 of 6 size A3	
				chr				type PRODUCT CUSTOMER DRAWING	
				appd					

# SFW\_R SERIES PREFERRED PART NUMBERS


## BOTTOM CONTACT / TIN PLATING

	NO. OF CONT (n)	CAT. NO.
●	4	SFW4R-1STE1LF
●	5	SFW5R-1STE1LF
●	6	SFW6R-1STE1LF
●	7	SFW7R-1STE1LF
●	8	SFW8R-1STE1LF
●	9	SFW9R-1STE1LF
●	10	SFW10R-1STE1LF
●	11	SFW11R-1STE1LF
●	12	SFW12R-1STE1LF
●	13	SFW13R-1STE1LF
●	14	SFW14R-1STE1LF
●	15	SFW15R-1STE1LF
●	16	SFW16R-1STE1LF
●	17	SFW17R-1STE1LF
●	18	SFW18R-1STE1LF
●	19	SFW19R-1STE1LF
●	20	SFW20R-1STE1LF
	21	SFW21R-1STE1LF
●	22	SFW22R-1STE1LF
	23	SFW23R-1STE1LF
●	24	SFW24R-1STE1LF
●	25	SFW25R-1STE1LF
●	26	SFW26R-1STE1LF
●	27	SFW27R-1STE1LF
●	28	SFW28R-1STE1LF
	29	SFW29R-1STE1LF
●	30	SFW30R-1STE1LF


## BOTTOM CONTACT / GOLD PLATING

	NO. OF CONT (n)	CAT. NO.
●	4	SFW4R-1STGE1LF
●	5	SFW5R-1STGE1LF
	6	SFW6R-1STGE1LF
	7	SFW7R-1STGE1LF
●	8	SFW8R-1STGE1LF
	9	SFW9R-1STGE1LF
	10	SFW10R-1STGE1LF
	11	SFW11R-1STGE1LF
	12	SFW12R-1STGE1LF
	13	SFW13R-1STGE1LF
	14	SFW14R-1STGE1LF
	15	SFW15R-1STGE1LF
●	16	SFW16R-1STGE1LF
	17	SFW17R-1STGE1LF
	18	SFW18R-1STGE1LF
	19	SFW19R-1STGE1LF
●	20	SFW20R-1STGE1LF
	21	SFW21R-1STGE1LF
	22	SFW22R-1STGE1LF
	23	SFW23R-1STGE1LF
	24	SFW24R-1STGE1LF
	25	SFW25R-1STGE1LF
	26	SFW26R-1STGE1LF
	27	SFW27R-1STGE1LF
●	28	SFW28R-1STGE1LF
	29	SFW29R-1STGE1LF
	30	SFW30R-1STGE1LF

## TOP CONTACT / TIN PLATING

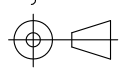

	NO. OF CONT (n)	CAT. NO.
●	4	SFW4R-2STE1LF
●	5	SFW5R-2STE1LF
●	6	SFW6R-2STE1LF
●	7	SFW7R-2STE1LF
●	8	SFW8R-2STE1LF
●	9	SFW9R-2STE1LF
●	10	SFW10R-2STE1LF
●	11	SFW11R-2STE1LF
●	12	SFW12R-2STE1LF
●	13	SFW13R-2STE1LF
●	14	SFW14R-2STE1LF
●	15	SFW15R-2STE1LF
●	16	SFW16R-2STE1LF
●	17	SFW17R-2STE1LF
●	18	SFW18R-2STE1LF
	19	SFW19R-2STE1LF
●	20	SFW20R-2STE1LF
	21	SFW21R-2STE1LF
●	22	SFW22R-2STE1LF
	23	SFW23R-2STE1LF
●	24	SFW24R-2STE1LF
●	25	SFW25R-2STE1LF
●	26	SFW26R-2STE1LF
●	27	SFW27R-2STE1LF
●	28	SFW28R-2STE1LF
	29	SFW29R-2STE1LF
●	30	SFW30R-2STE1LF

## TOP CONTACT / GOLD PLATING

	NO. OF CONT (n)	CAT. NO.
●	4	SFW4R-2STGE1LF
	5	SFW5R-2STGE1LF
	6	SFW6R-2STGE1LF
	7	SFW7R-2STGE1LF
●	8	SFW8R-2STGE1LF
	9	SFW9R-2STGE1LF
	10	SFW10R-2STGE1LF
	11	SFW11R-2STGE1LF
	12	SFW12R-2STGE1LF
	13	SFW13R-2STGE1LF
	14	SFW14R-2STGE1LF
	15	SFW15R-2STGE1LF
	16	SFW16R-2STGE1LF
	17	SFW17R-2STGE1LF
●	18	SFW18R-2STGE1LF
	19	SFW19R-2STGE1LF
●	20	SFW20R-2STGE1LF
	21	SFW21R-2STGE1LF
	22	SFW22R-2STGE1LF
	23	SFW23R-2STGE1LF
	24	SFW24R-2STGE1LF
●	25	SFW25R-2STGE1LF
	26	SFW26R-2STGE1LF
	27	SFW27R-2STGE1LF
	28	SFW28R-2STGE1LF
	29	SFW29R-2STGE1LF
	30	SFW30R-2STGE1LF

Amphenol FCI

© 2016 AFCI

mat'l. code SEE_TABLE		surface ISO 1302 <input checked="" type="checkbox"/> ISO 406 ISO 1101		tolerance ISO 406 ISO 1101		projection 		product family 58RF	
ltr	ecn no	dr	date	tolerances unless otherwise specified		MM		title PREFERRED PART NUMBERS (Cat. No. SFW__R-1/2ST_E1_LF)	
A				angles	linear	scale N/A		dwg no 10172241	
				dr	S.WATANABE	2023-12-20		sheet 6 of 6	
				enr	S.WATANABE	2023-12-20		size A3	
				chr	AN.MUHAMMAD-NABEEL	2023-12-20		type PRODUCT CUSTOMER DRAWING	
				app	Y.KAMEDA	2023-12-20			
sheet index	revision sheet								