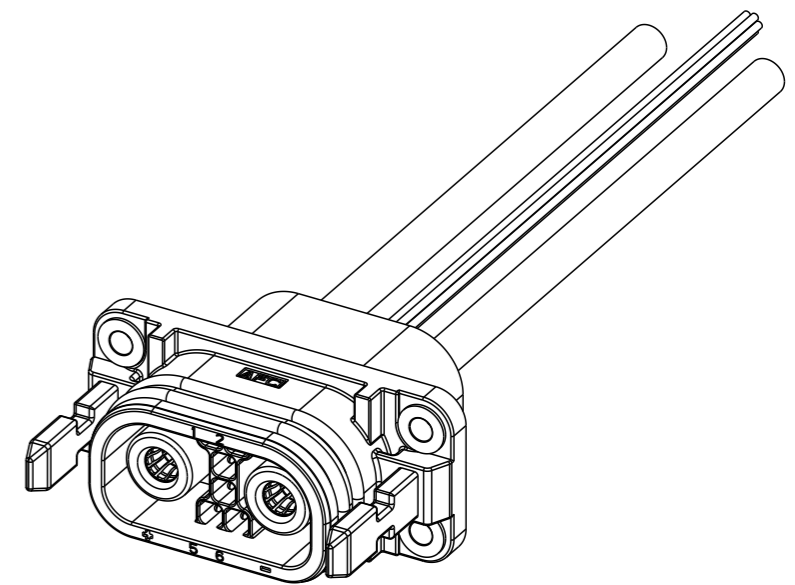
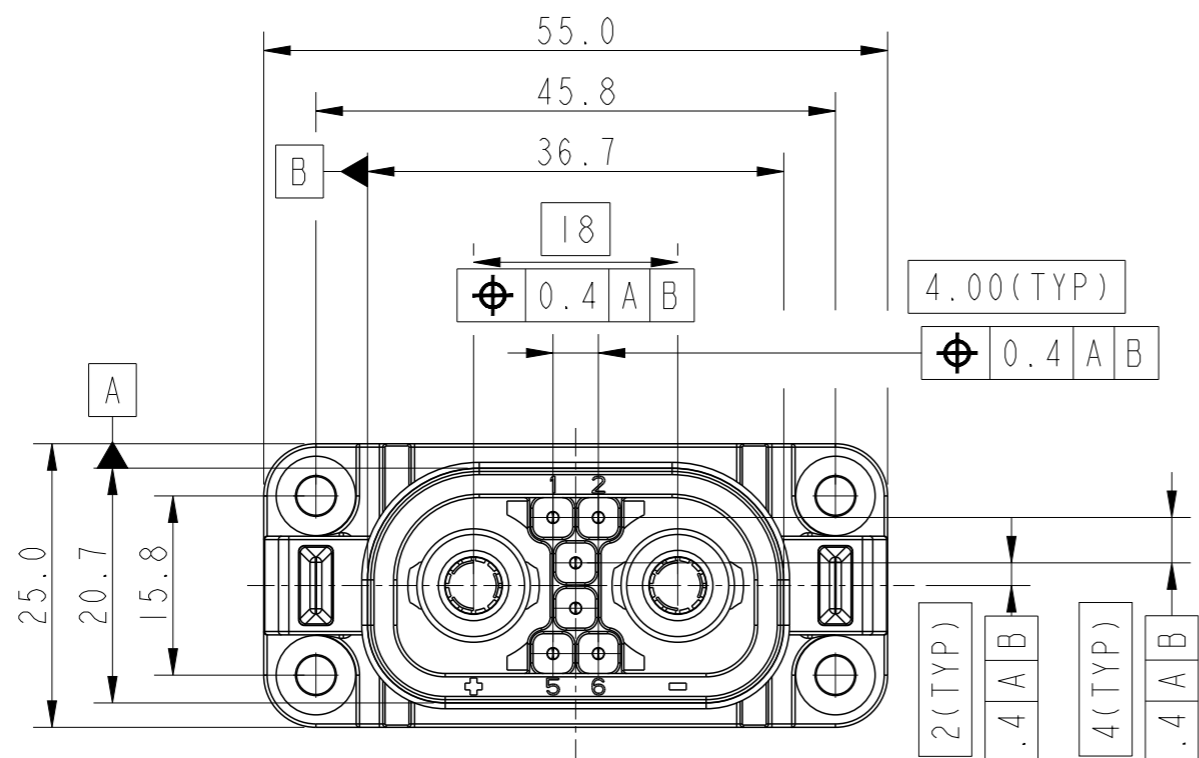


CABLE OUT VARIANT

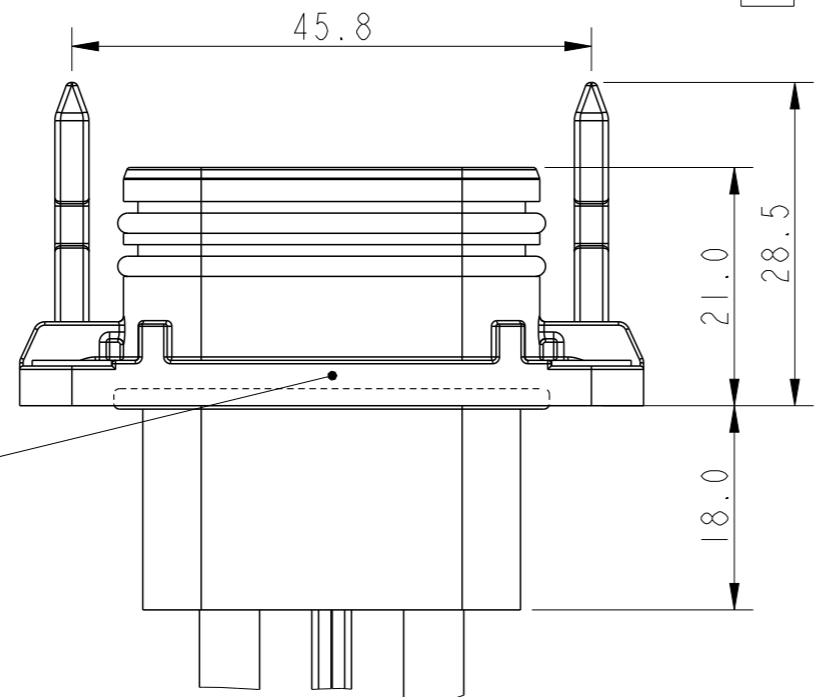


SCALE 1:1

- NOTES:
- MATERIAL AND FINISH
 HOUSING: POLYAMIDE THERMOPLASTIC, UL 94 V-0
 POWER TERMINAL: CU ALLOY, PLATING: AG
 O-RING: SILICON RUBBER, ORANGE
 GASKET: SILICON RUBBER, BLACK
 - CABLES
 POWER: FLRY-B, SEE PN LOGIC
 SIGNAL: FLRY-B, 0.35 SQMM
 - PRODUCT SPECIFICATION: GS-12-1897
 - APPLICATION SPECIFICATION: GS-20-0863
 - △ DENOTES CHANGE INTRODUCED IN CORRESPONDING REVISION

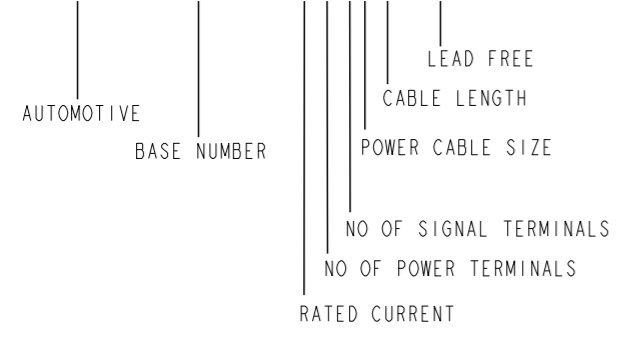
- TECHNICAL FEATURES:
- RATED CURRENT: SEE PN LOGIC
 - DIELECTRIC WITHSTANDING VOLTAGE: 500 VDC
 - INSULATION RESISTANCE: >1 GΩ
 - FLAMMABILITY RATING: UL 94
 - DURABILITY: 10,000 MATING CYCLES
 - IP RATING: IP67, MATED & UNMATED*
 - OPERATING TEMPERATURE: -20 TO 90 °C
- *CONNECTOR PREVENTS WATER INGRESS INTO ENCLOSURE/PANEL IN THE UNMATED CONDITION

INSTRUCTION:
 1. PREVENT ACCUMULATION OF FOREIGN PARTICLES IN THE MATING COMPARTMENT



LOCATION FOR TRACEABILITY PRINTING

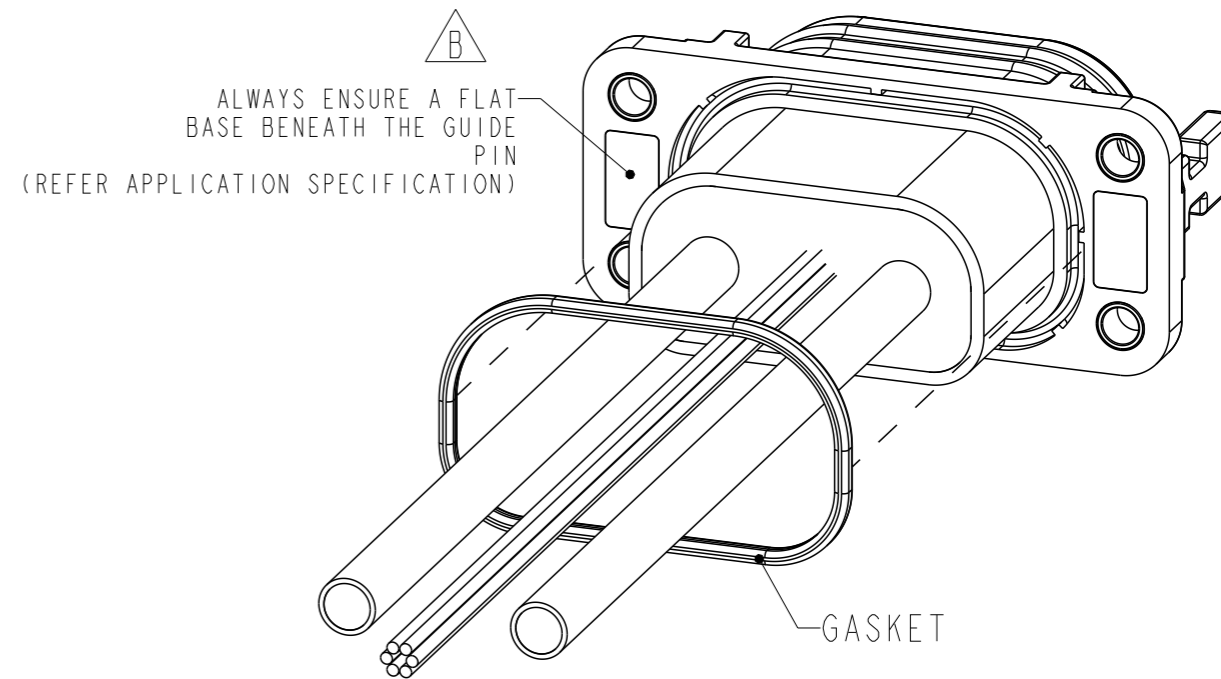
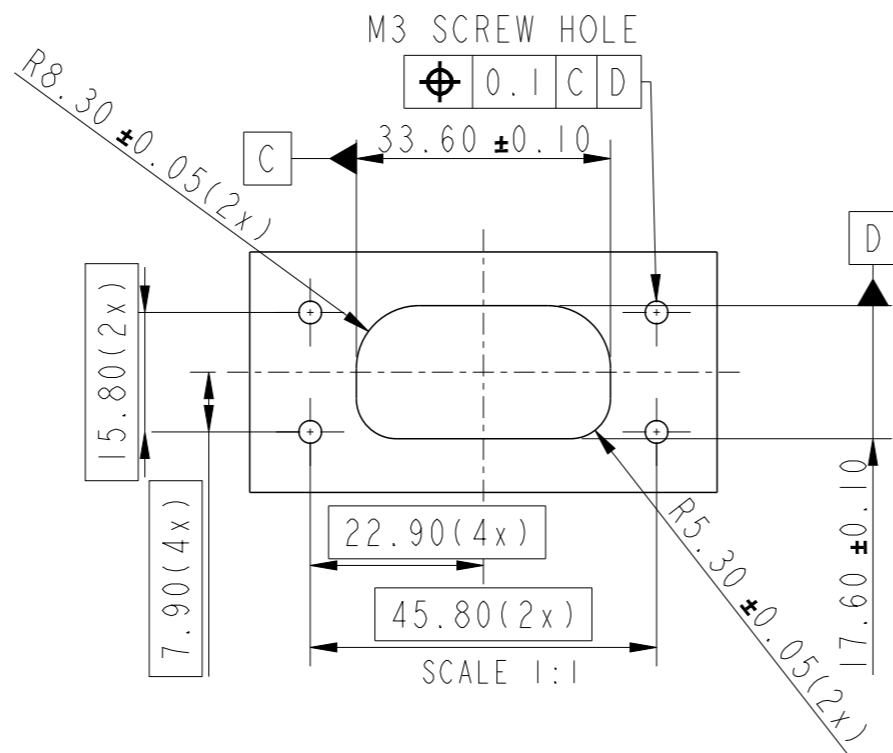
AU10171110-B26BALF



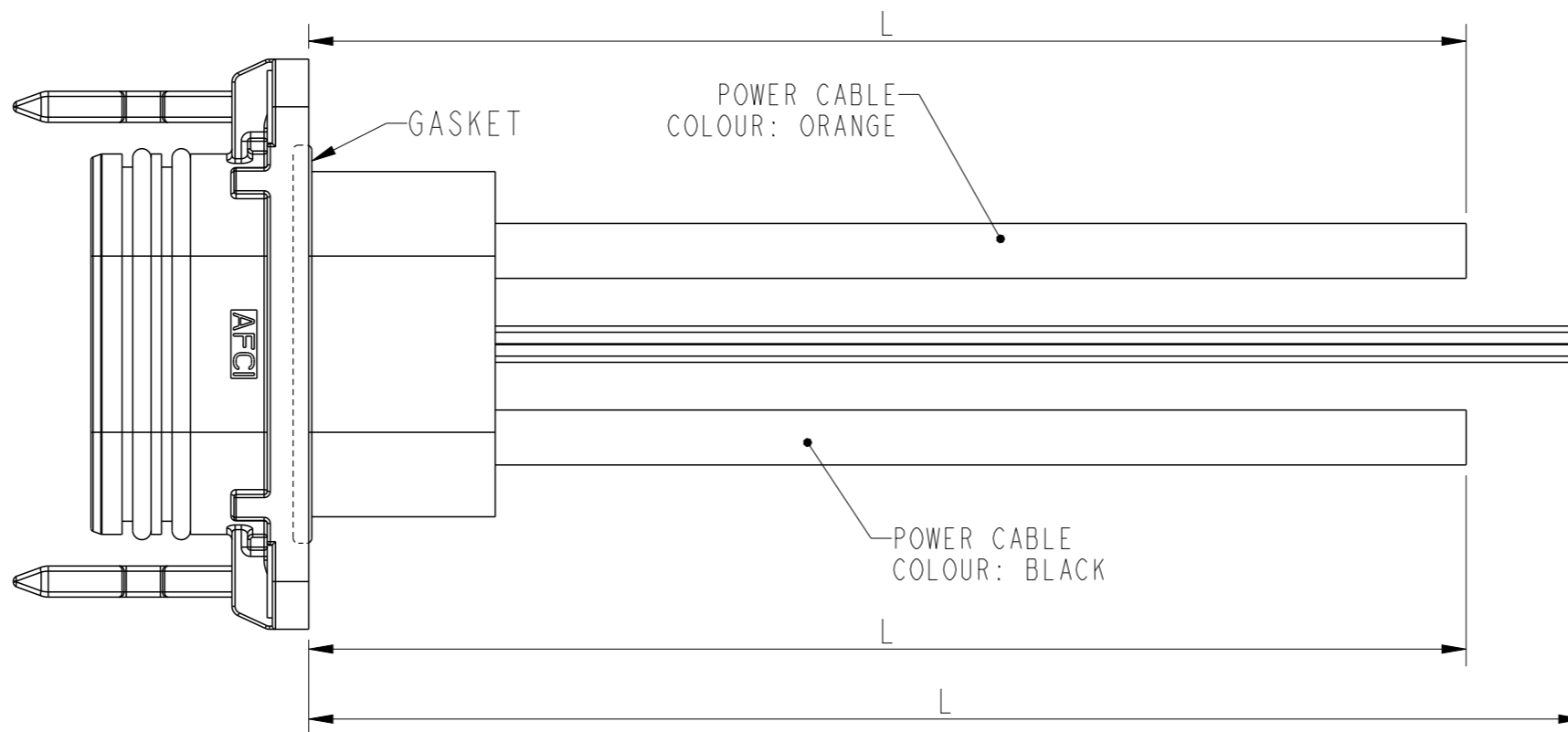
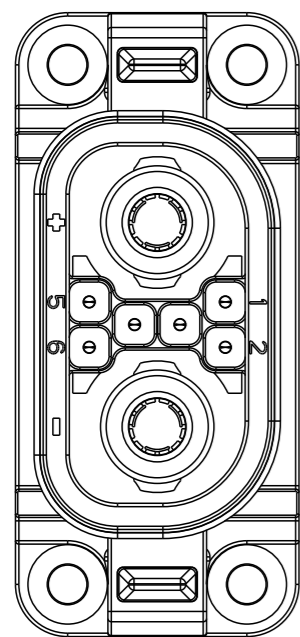
REFER SHEET 4 FOR DETAILED PN LOGIC

spec ref	dr	A Srikar	2023/10/30	projection	mm	size	A3	scale	3:2
tolerance std	eng	A Srikar	2024/04/22			ecn no	ELX-I-51299-1	rel level	Released
TOLERANCES UNLESS OTHERWISE SPECIFIED									
surface	linear	0.X	±0.5		BATTERY SOC CABLE ASSY DURASWAP™	dwg no	10171110	rev	B
		0.XX	±0.25						
		0.XXX	±						
	angular	0°	±°	amphenol-icc.com	cat. no.	-	Product - Customer Drw	sheet 1 of 4	

AFCI CNR PIN	CABLE COLOUR
1	ORANGE
2	BROWN
3	BLUE
4	GREEN
5	RED(BLACK)
6	WHITE



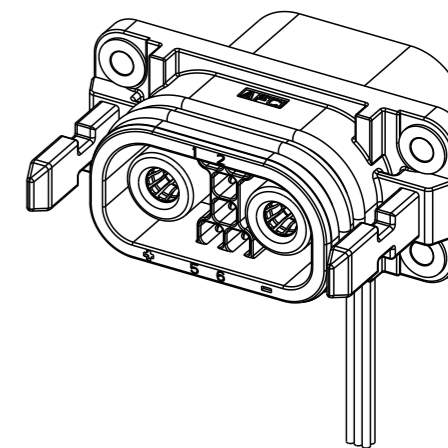
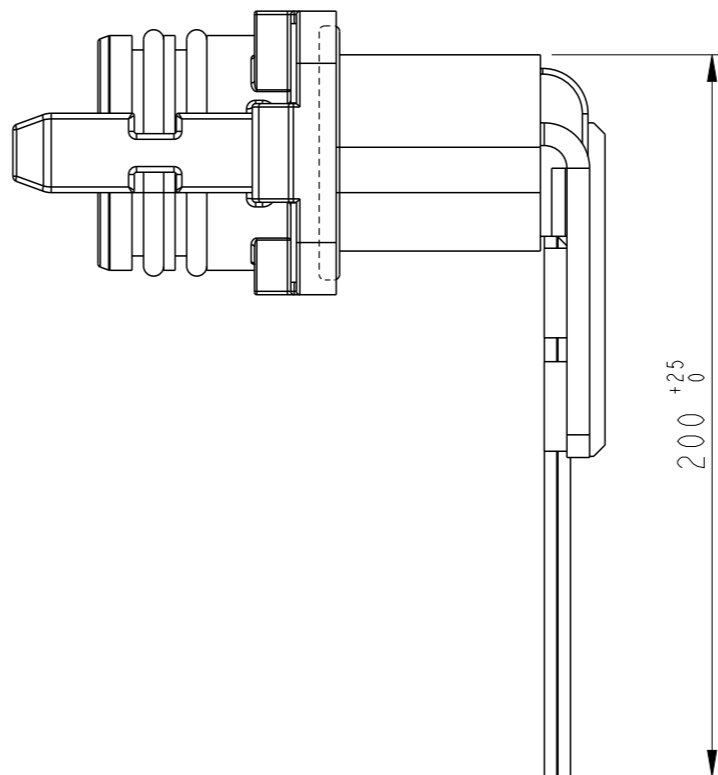
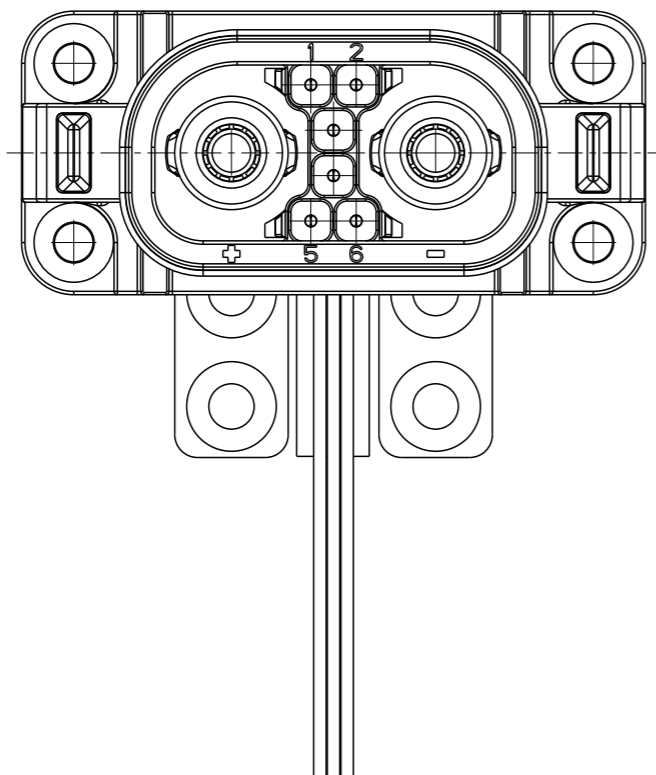
MOUNTING HOLE AND PANEL CUTOUT DIMENSIONS



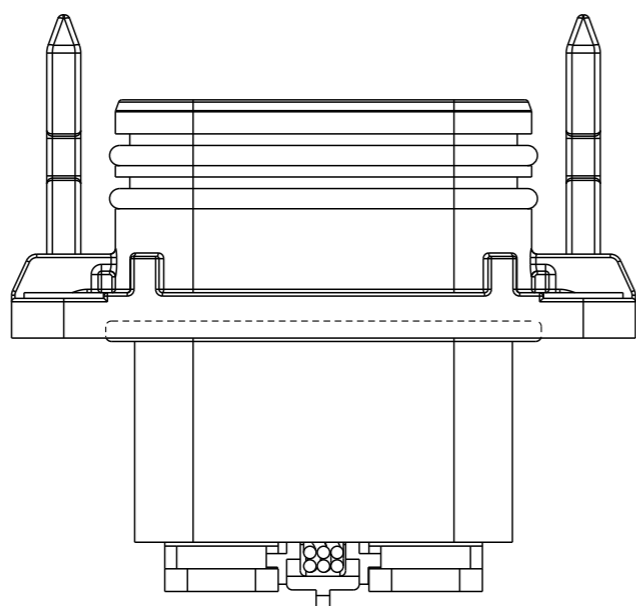
LENGTH	TOLERANCE
≤ 0.3 M	+25 MM - 0 MM
> 0.3 M - 1.5 M	+50 MM - 0 MM
> 1.5 M - 3 M	+100 MM - 0 MM
> 3.0 M - 7.5 M	+ 150 MM - 0 MM

spec ref	dr	A Srikar	2023/10/30	projection	mm	size	A3	scale	3:2		
tolerance std	eng	A Srikar	2024/04/22			ecn no	ELX-I-51299-1	rel level	Released		
TOLERANCES UNLESS OTHERWISE SPECIFIED						product family	-				
surface	linear	0.X	±0.5	Amphenol FCI		BATTERY SOC CABLE ASSY		dwg no	10171110	rev	B
		0.XX	±0.25	DURASWAP™		amphenol-icc.com		cat. no.	-	Product - Customer Drw	sheet 2 of 4
	angular	0°	±°	PDS: Rev :B		STATUS:Released		Printed: Apr 23, 2024			

BUSBAR OUT VARIANT



SCALE 1:1



NOTES:

- MATERIAL AND FINISH
HOUSING: POLYAMIDE THERMOPLASTIC, UL 94 V-0
POWER TERMINAL: CU ALLOY, PLATING: AG
O-RING: SILICON RUBBER, ORANGE
GASKET: SILICON RUBBER, BLACK
- CABLES
POWER: BUSBAR WITH M4 CLINCHNUT
SIGNAL: FLRY-B, 0.35 SQMM
- INTERFACE DIMENSIONS SAME AS SHOWN IN SHEET 1

TECHNICAL FEATURES:

- RATED CURRENT: SEE PN LOGIC
 - DIELECTRIC WITHSTANDING VOLTAGE: 500 VDC
 - INSULATION RESISTANCE: >1 GΩ
 - FLAMMABILITY RATING: UL 94
 - DURABILITY: 10,000 MATING CYCLES
 - IP RATING: IP67, MATED & UNMATED*
 - OPERATING TEMPERATURE: -20 TO 90 °C
- *CONNECTOR PREVENTS WATER INGRESS INTO ENCLOSURE/PANEL IN THE UNMATED CONDITION

AU10171110-A26ZZLF

AUTOMOTIVE
BASE NUMBER
LEAD FREE
CABLE LENGTH
BUSBAR
NO OF SIGNAL TERMINALS
NO OF POWER TERMINALS
RATED CURRENT

spec ref	dr	A Srikar	2023/10/30	projection	mm	size	A3	scale	3:2
tolerance std	eng	A Srikar	2024/04/22			ecn no	ELX-I-51299-1		
TOLERANCES UNLESS OTHERWISE SPECIFIED						product family	-	rel level	Released
surface	linear	0.X	±0.5		BATTERY SOC CABLE ASSY DURASWAP™	dwg no 10171110	rev B		
		0.XX	±0.25						
		0.XXX	±						
	angular	0°	±°	amphenol-icc.com	cat. no.	-	Product - Customer Drw	sheet 3 of 4	

△ B

AU

1017111X

B

2

6

B

A

LF

AUTOMOTIVE

BASE NUMBER	
0	BATTERY SOCKET
1	VEHICLE PLUG

RATED CURRENT (A)	
A	70
B	50
C	25

CABLE LENGTH (L)	
A	0.20M
G	0.35M
H	1.50M
J	0.10M
Z	BUSBAR (SOCKET ONLY)

LEAD-FREE

NO. OF POWER CONTACTS

NO. OF SIGNAL CONTACTS
6

CABLE TYPE			
	SIZE	CURRENT(A)	REFERENCE AWG
A	FLRY-B -2.5 SQMM	25	14
B	FLRY-B -10 SQMM	50	8
C	FLRY-B -16 SQMM	70	6
H	SILICONE-10 SQMM	50	8
Z	BUSBAR (SOCKET ONLY)	UPTO 70	NA

spec ref	dr	A Srikar	2023/10/30	projection	mm	size	A3	scale	3:2
tolerance std	eng	A Srikar	2024/04/22			ecn no		ELX-I-51299-1	
TOLERANCES UNLESS OTHERWISE SPECIFIED						product family		rel level	
surface	<input checked="" type="checkbox"/> linear	0.X	±0.5	Amphenol FCI BATTERY SOC CABLE ASSY DURASWAP™	cat. no. -	Product - Customer Drw	dwg no 10171110	rev B	sheet 4 of 4
		0.XX	±0.25						
		0.XXX	±						
		angular	0°	±°					