

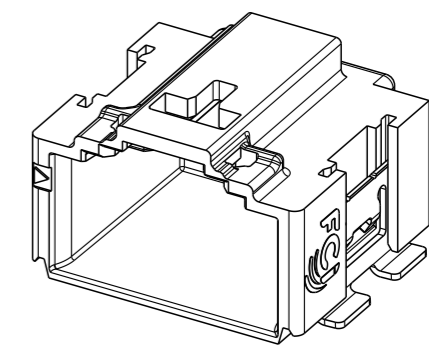
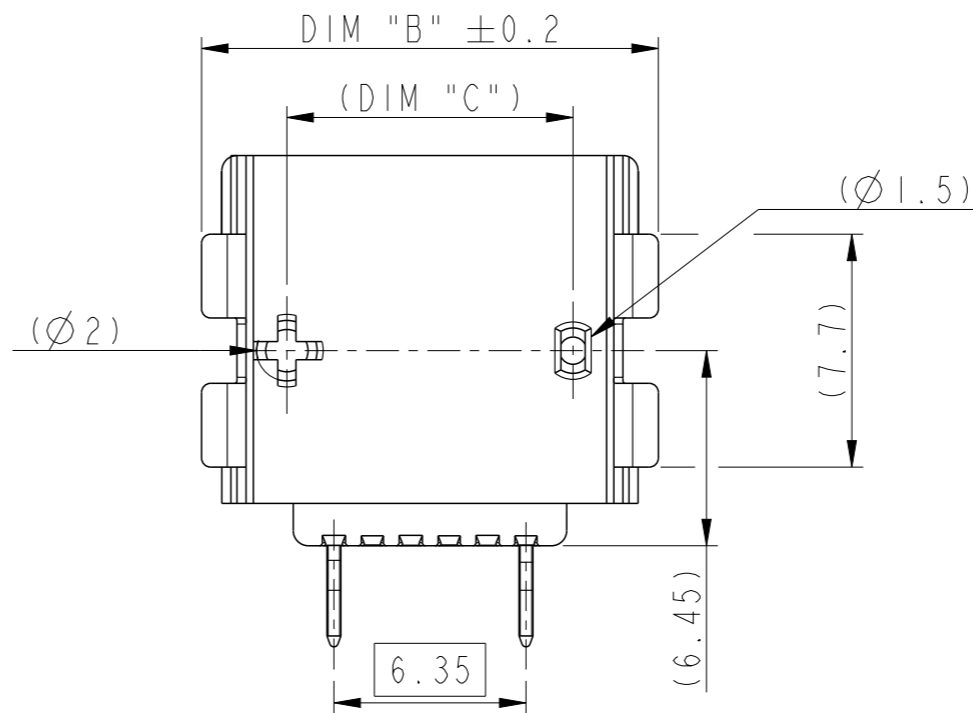
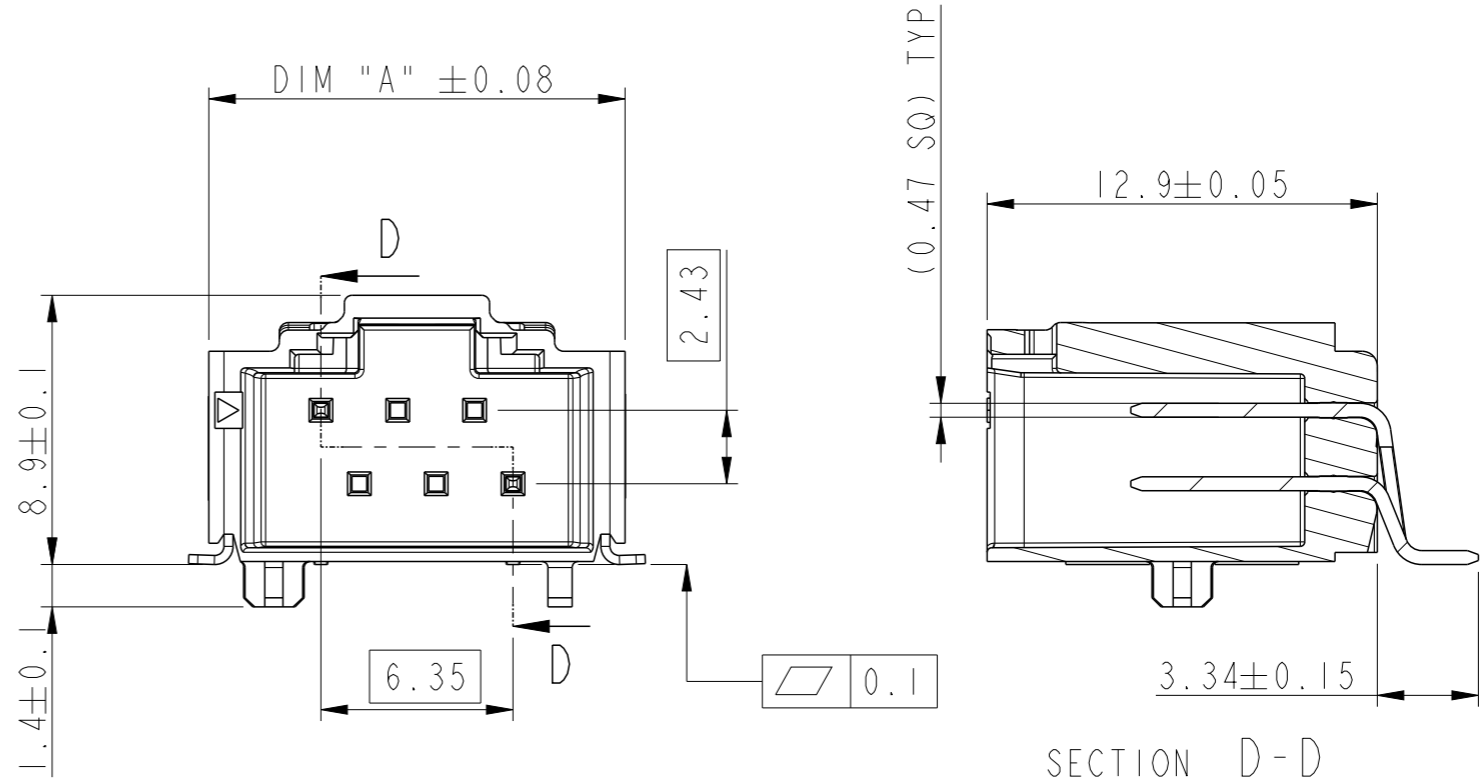
PRODUCT DESCRIPTION CODE :

10170437-1XXZZK\_LF

- RoHS COMPATIBLE, SEE NOTE 5
- FOR CUSTOMER CODE :  
BLANK = GENERAL USE  
V = CUSTOMER DEDICATED PART
- PACKAGING :  
K = TAPE & REEL
- NUMBER OF CONTACTS : SEE TABLE
- NUMBER OF POSITIONS : SEE TABLE
- PLATING :  
1 = 3µm MIN MATTE TIN (PREPLATED)  
2 = 3µm MIN MATTE TIN (POST-PLATED)  
3 = 0.76µm MIN GOLD (CONTACT AREA)  
ALL OVER NICKEL UNDERLAYER

NOTES:

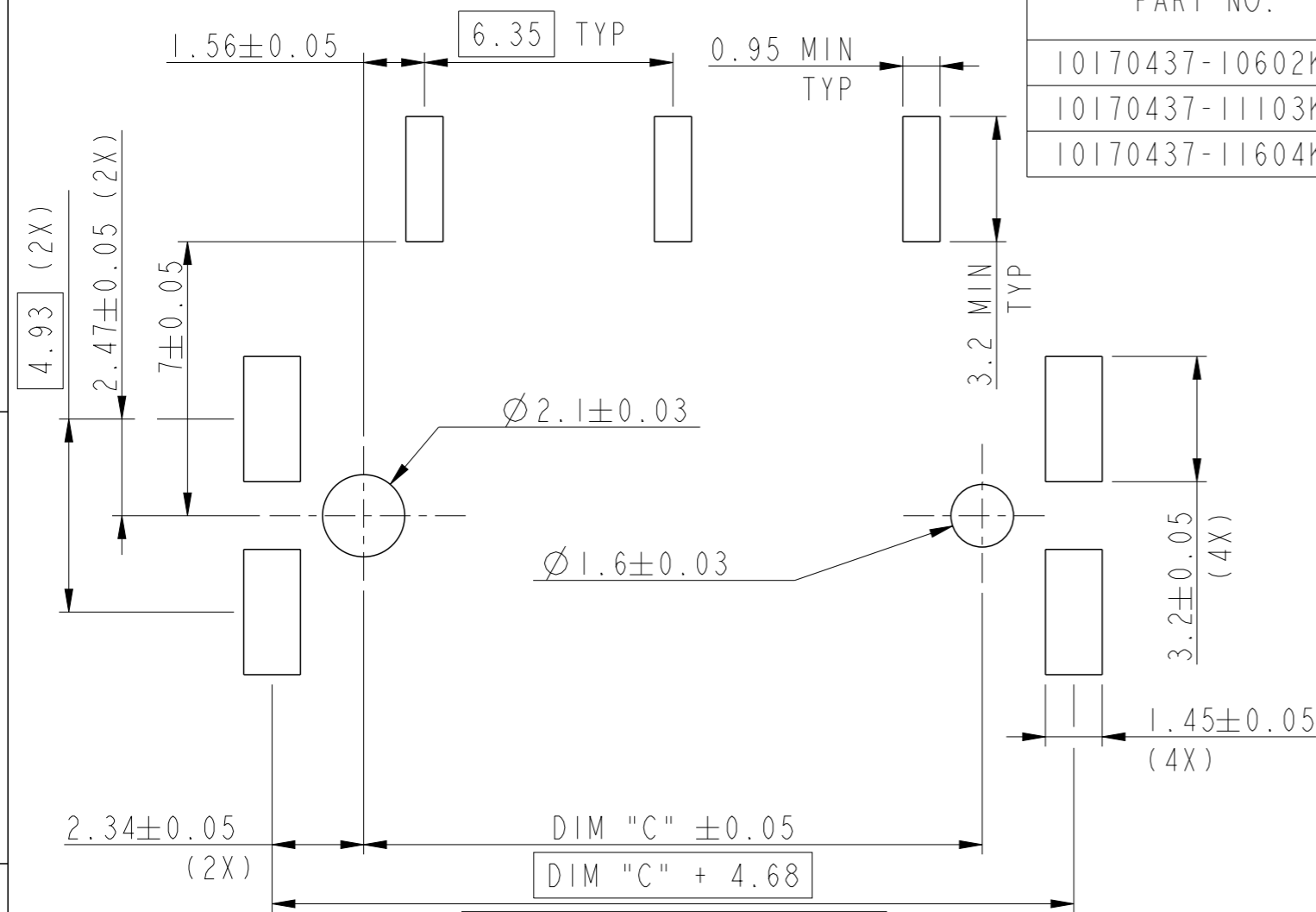
- 1 - MATERIAL:  
HOUSING : HIGH TEMPERATURE THERMOPLASTIC  
COLOR ORANGE (RAL2003) UL94 V-0  
REGRIND < 30%  
PIN : HIGH CURRENT COPPER ALLOY
- 2 - TO BE MATED WITH MINITEK µSPACE HIGH VOLTAGE  
RECEPTACLE SERIES 10170389
- 3 - VOLTAGE UP TO 800V WITH PCB CTI ≥ 600 (Class 1)
- 4 - PRODUCT SPECIFICATION : GS-12-1821  
APPLICATION SPECIFICATION : GS-20-0513  
PACKAGING SPECIFICATION : GS-14-2790
- 5 - RoHS COMPATIBLE PRODUCT SPECIFICATIONS
  - a - PLATING:  
"LF" MEANS THE PRODUCT IS LEAD FREE,  
3µm MINIMUM MATTE TIN OVER 1.27µm MINIMUM  
NICKEL UNDERPLATE.
  - b - MANUFACTURING PROCESS COMPATIBILITY:  
THE HOUSING WILL WITHSTAND EXPOSURE TO 260°C PEAK  
TEMPERATURE FOR 30 SECONDS MAX IN A CONVECTION,  
INFRA-RED OR VAPOR PHASE OR REFLOW OVEN.
  - c - LABELLING :  
MEETS PACKAGING SPECS AS PER GS-14-920
  - d - LEGAL STATEMENT :  
SEE GS-47-0004.



SCALE 3:1

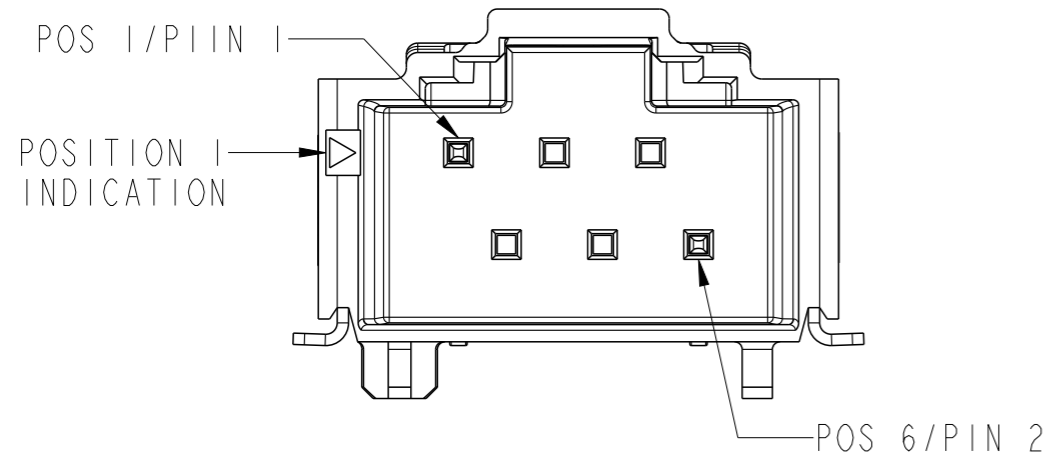
|               |  |      |                  |            |                         |    |              |               |       |     |   |
|---------------|--|------|------------------|------------|-------------------------|----|--------------|---------------|-------|-----|---|
| spec ref      | GS-12-1821                             | dr   | Huang, Yin-Chi   | 2023/01/17 | projection              | mm | size         | A3            | scale | 4:1 |   |
| tolerance std | ISO 406<br>ISO 1101                    | eng  | Moisan, Gwenda   | 2023/04/05 |                         |    | ecn no       | ELX-F-47930-1 |       |     |   |
| surface       | linear                                 | chr  | Huang, Yin-Chi   | 2023/04/05 |                         |    | rel level    | Released      |       |     |   |
|               | angular                                | appr | Vallière, Jérôme | 2023/04/05 | product family          |    |              |               |       |     |   |
|               | 0.X ±0.3<br>0.XX ±0.10<br>0.XXX ±0.005 |      |                  | title      | HEADER ASSEMBLY - 800 V |    | dwg no       | 10170437      |       | rev | B |
| ISO 1302      | 0° ±2°                                 |      |                  | cat. no.   | Product - Customer Drw  |    | sheet 1 of 2 |               |       |     |   |

| PART NO.          | AVAILABILITY | NO. OF POSN | NO. OF CONTACT | DIM "A" | DIM "B" | DIM "C" |
|-------------------|--------------|-------------|----------------|---------|---------|---------|
| 10170437-10602KLF | ON DEMAND    | 06          | 02             | 13.76   | 15.09   | 9.46    |
| 10170437-11103KLF | TOOLED       | 11          | 03             | 20.11   | 21.44   | 15.81   |
| 10170437-11604KLF | ON DEMAND    | 16          | 04             | 26.46   | 27.79   | 22.16   |

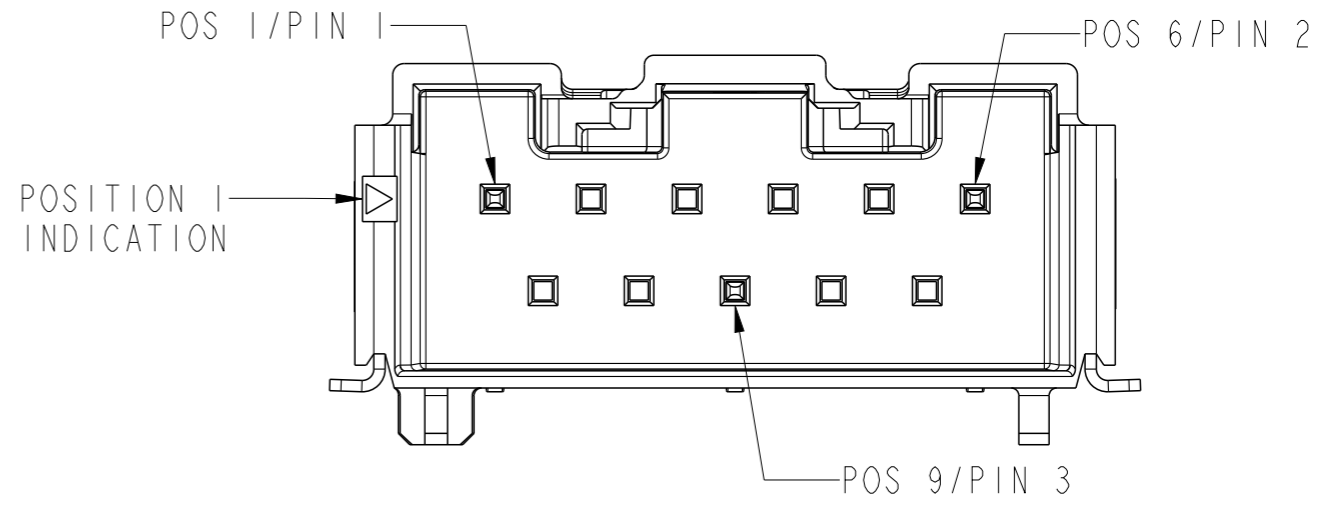


RECOMMENDED PCB LAYOUT  
FOR STENCIL THICKNESS SEE APPLICATION SPEC

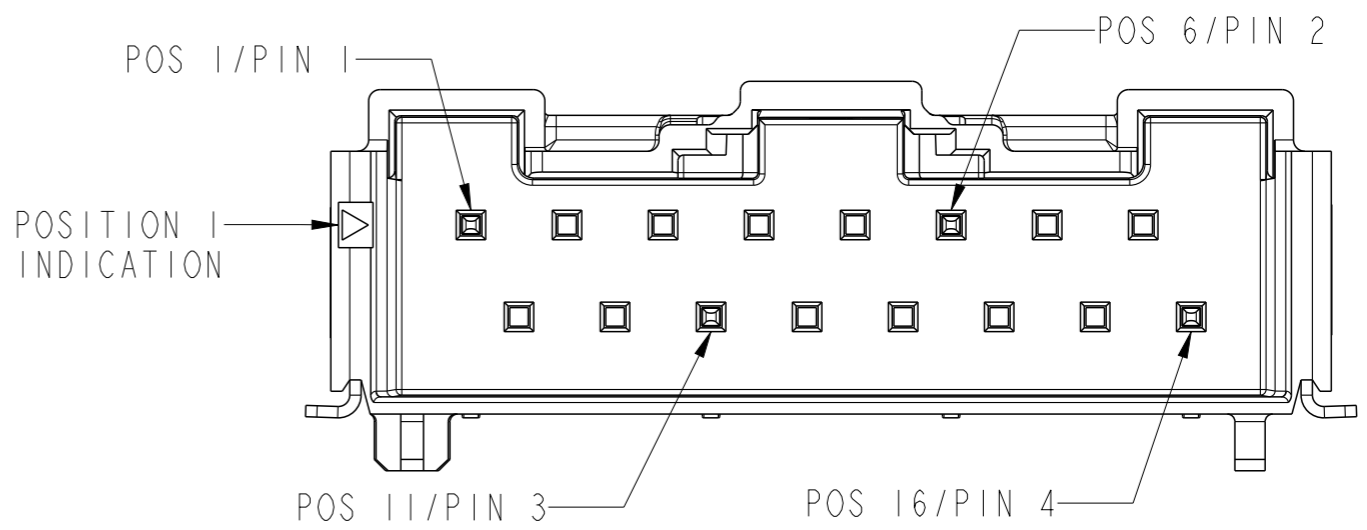
SCALE 6:1



POSITION NUMBER INDICATION FOR 6POS VERSION



POSITION NUMBER INDICATION FOR 11POS VERSION



POSITION NUMBER INDICATION FOR 16POS VERSION

|               |                                       |       |        |                  |                         |
|---------------|---------------------------------------|-------|--------|------------------|-------------------------|
| spec ref      | GS-12-1821                            |       | dr     | Huang, Yin-Chi   | 2023/01/17              |
| tolerance std | TOLERANCES UNLESS OTHERWISE SPECIFIED |       | eng    | Moisan, Gwenda   | 2023/04/05              |
| ISO 406       |                                       |       | chr    | Huang, Yin-Chi   | 2023/04/05              |
| ISO 1101      |                                       |       | appr   | Vallière, Jérôme | 2023/04/05              |
| surface       | linear                                | 0.X   | ±0.3   | Amphenol FCI     | HEADER ASSEMBLY - 800 V |
|               |                                       | 0.XX  | ±0.10  |                  |                         |
|               |                                       | 0.XXX | ±0.005 |                  |                         |
| ISO 1302      | angular                               | 0°    | ±2°    | cat. no.         | Product - Customer Drw  |

|                |          |           |               |       |     |
|----------------|----------|-----------|---------------|-------|-----|
| projection     | mm       | size      | A3            | scale | 5:1 |
| product family | ← →      | ecn no    | ELX-F-47930-1 |       |     |
|                |          | rel level | Released      |       |     |
| dwg no         | 10170437 |           | rev           | B     |     |
| sheet 2 of 2   |          |           | sheet 2 of 2  |       |     |