

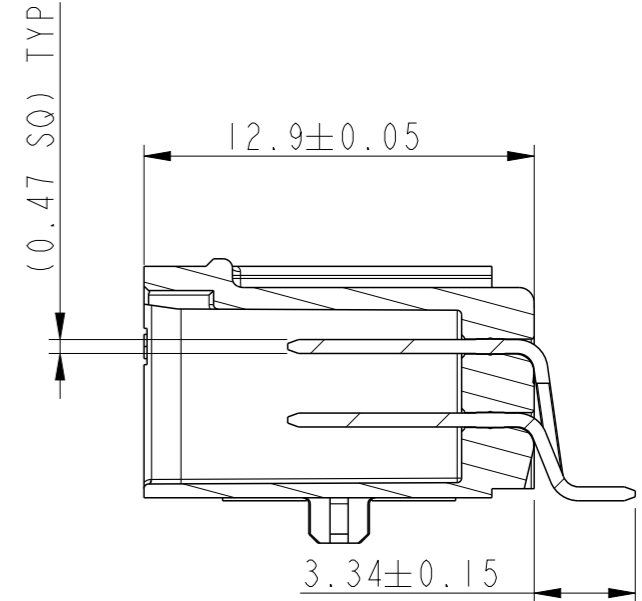
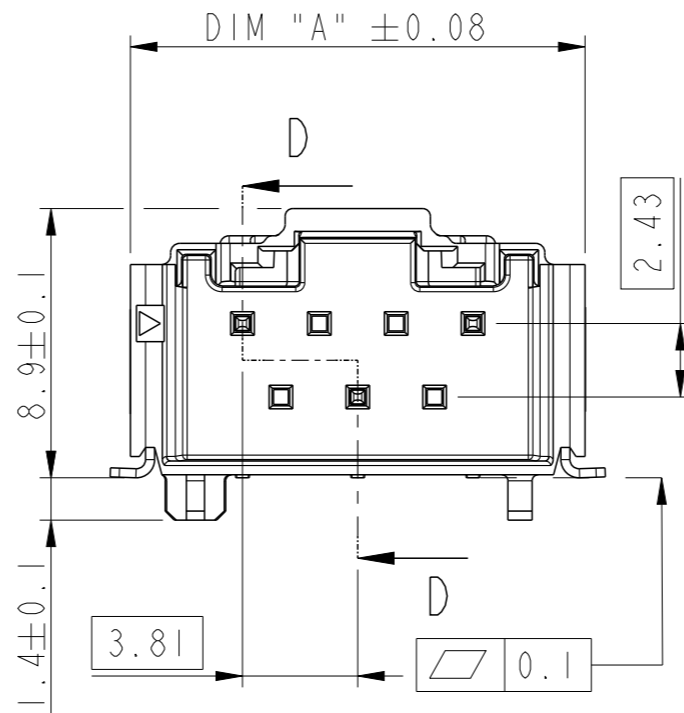
PRODUCT DESCRIPTION CODE :

10170436-1XXZZK LF

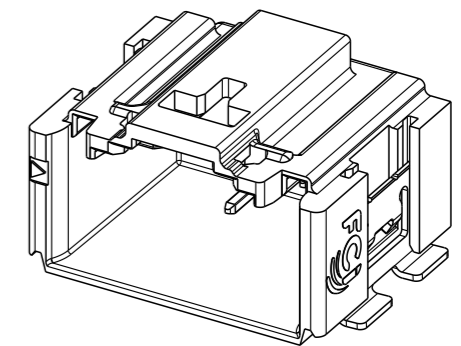
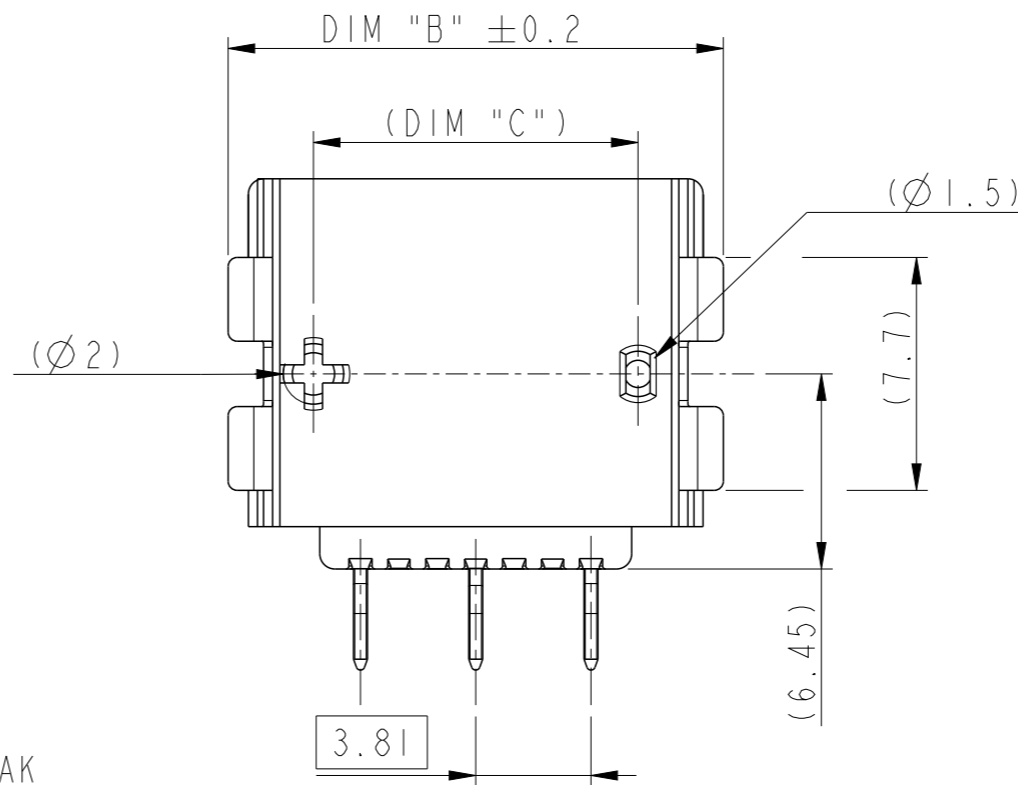
- RoHS COMPATIBLE, SEE NOTE 5
- FOR CUSTOMER CODE :  
 BLANK = GENERAL USE  
 V = CUSTOMER DEDICATED PART
- PACKAGING :  
 K = TAPE & REEL
- NUMBER OF CONTACTS : SEE TABLE
- NUMBER OF POSITIONS : SEE TABLE
- PLATING :  
 1 = 3µm MIN MATTE TIN (PREPLATED)  
 2 = 3µm MIN MATTE TIN (POST-PLATED)  
 3 = 0.76µm MIN GOLD (CONTACT AREA)  
 ALL OVER NICKEL UNDERLAYER

NOTES:

- 1 - MATERIAL:  
 HOUSING : HIGH TEMPERATURE THERMOPLASTIC  
 COLOR ORANGE (RAL2003) UL94 V-0  
 REGRIND < 30%  
 PIN : HIGH CURRENT COPPER ALLOY
- 2 - TO BE MATED WITH MINITEK µSPACE HIGH VOLTAGE  
 RECEPTACLE SERIES 10170389
- 3 - VOLTAGE UP TO 400V WITH PCB CTI ≥ 600 (Class 1)
- 4 - PRODUCT SPECIFICATION : GS-12-1821  
 APPLICATION SPECIFICATION : GS-20-0513  
 PACKAGING SPECIFICATION : GS-14-2790
- 5 - RoHS COMPATIBLE PRODUCT SPECIFICATIONS
  - a - PLATING:  
 "LF" MEANS THE PRODUCT IS LEAD FREE,  
 3µm MINIMUM MATTE TIN OVER 1.27µm MINIMUM  
 NICKEL UNDERPLATE.
  - b - MANUFACTURING PROCESS COMPATIBILITY:  
 THE HOUSING WILL WITHSTAND EXPOSURE TO 260°C PEAK  
 TEMPERATURE FOR 30 SECONDS MAX IN A CONVECTION,  
 INFRA-RED OR VAPOR PHASE OR REFLOW OVEN.
  - c - LABELLING :  
 MEETS PACKAGING SPECS AS PER GS-14-920
  - d - LEGAL STATEMENT :  
 SEE GS-47-0004.



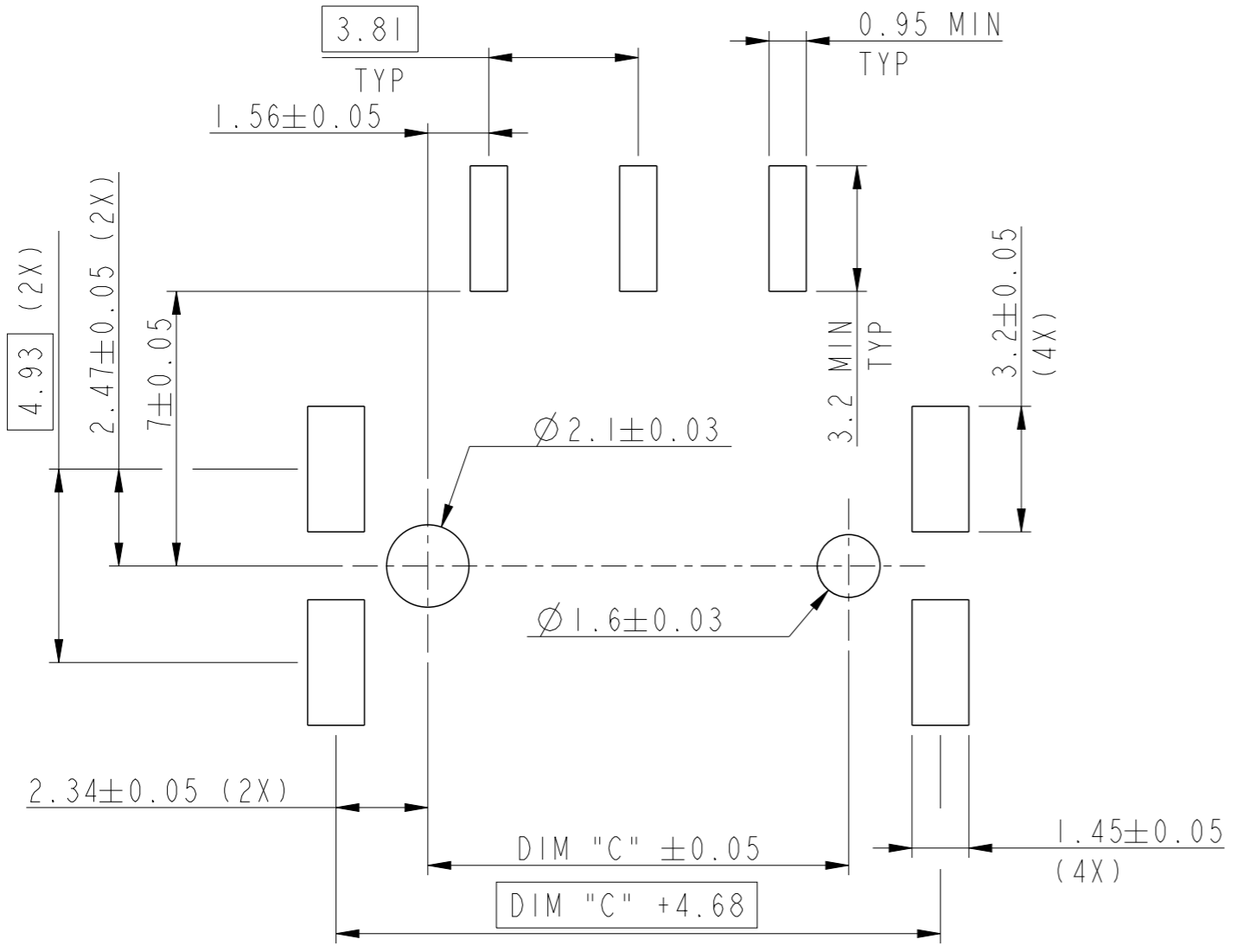
SECTION D-D



SCALE 3:1

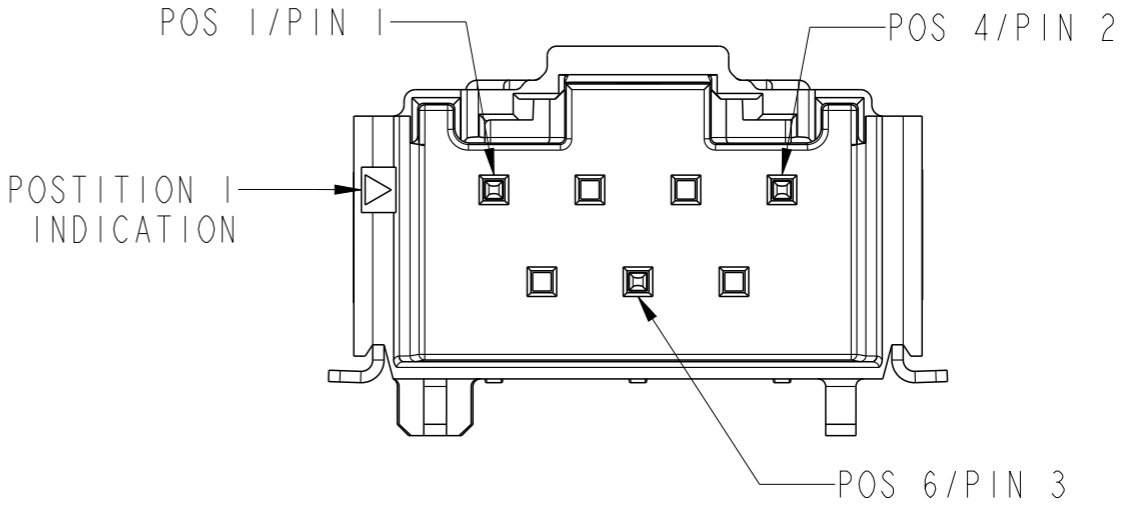
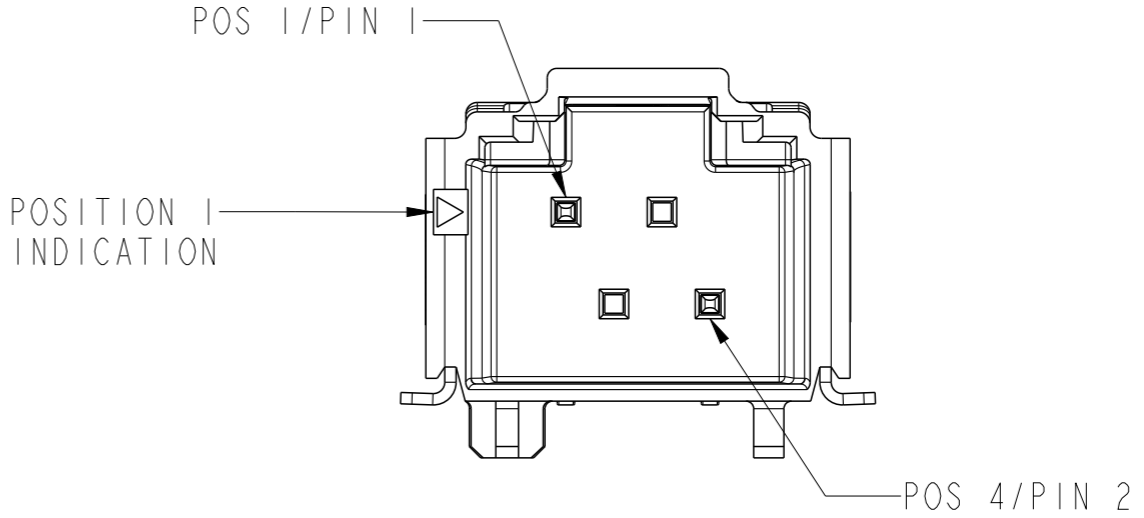
spec ref	GS-12-1821	dr	Huang, Yin-Chi	2023/01/16	projection	mm	size	A3	scale	4:1
tolerance std	ISO 406 ISO 1101	eng	Moisan, Gwenda	2023/03/16			ecn no		rel level	
TOLERANCES UNLESS OTHERWISE SPECIFIED		chr	Huang, Yin-Chi	2023/03/16			Released			
surface	linear	appr	Vallière, Jérôme	2023/03/16	product family	dwg no		rev		
ISO 1302	angular	Amphenol FCI		HEADER ASSEMBLY - 400 V		10170436		A		
				MINITEK µSPACE STAGGERED TOP LATCH						
cat. no.						Product - Customer Drw		sheet 1 of 3		

PART NO.	AVAILABILITY	NO. OF POSN	NO. OF CONTACTS	DIM "A"	DIM "B"	DIM "C"
10170436-10402KLF	ON DEMAND	04	02	11.22	12.55	6.92
10170436-10703KLF	ON DEMAND	07	03	15.03	16.36	10.73
10170436-11004KLF	TOOLED	10	04	18.84	20.17	14.54
10170436-11305KLF	ON DEMAND	13	05	22.65	23.98	18.35
10170436-11606KLF	ON DEMAND	16	06	26.46	27.79	22.16



RECOMMENDED PCB LAYOUT  
FOR STENCIL THICKNESS SEE APPLICATION SPEC

SCALE 6:1



spec ref	GS-12-1821	dr	Huang, Yin-Chi	2023/01/16	projection	mm	size	A3	scale	5:1
tolerance std	ISO 406 ISO 1101	eng	Moisan, Gwenda	2023/03/16			ecn no		rel level	
TOLERANCES UNLESS OTHERWISE SPECIFIED		chr	Huang, Yin-Chi	2023/03/16			Released			
surface	linear	0.X	±0.3	<b>Amphenol FCI</b>	product family		dwg no		rev	
		0.XX	±0.10		HEADER ASSEMBLY - 400 V		10170436		A	
		0.XXX	±0.005		MINITEK μSPACE STAGGERED TOP LATCH					
	angular	0°	±2°	cat. no.	Product - Customer Drw			sheet 2 of 3		

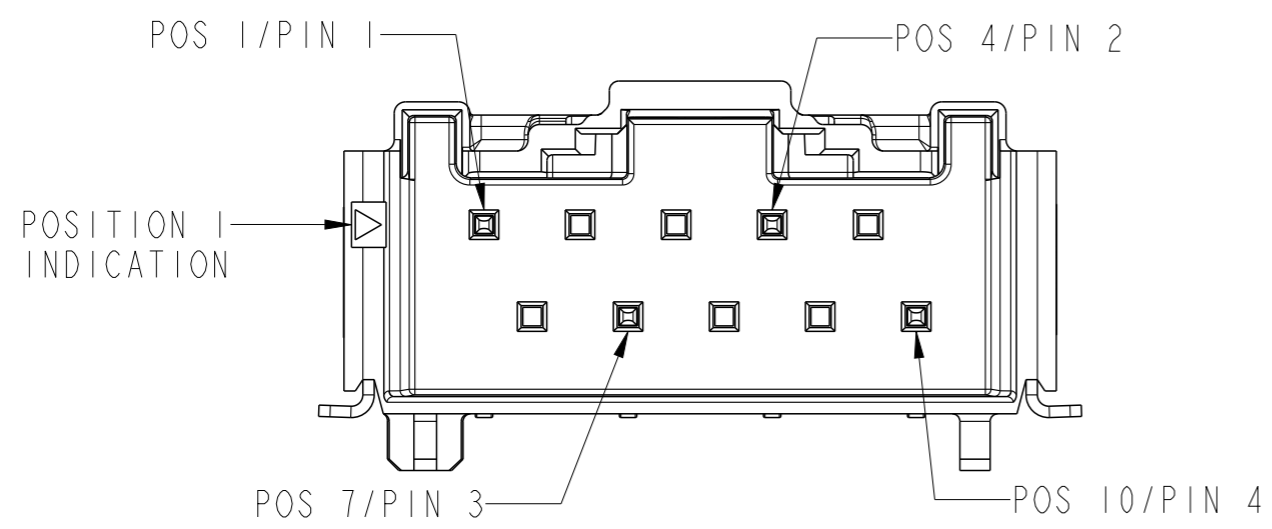
1

2

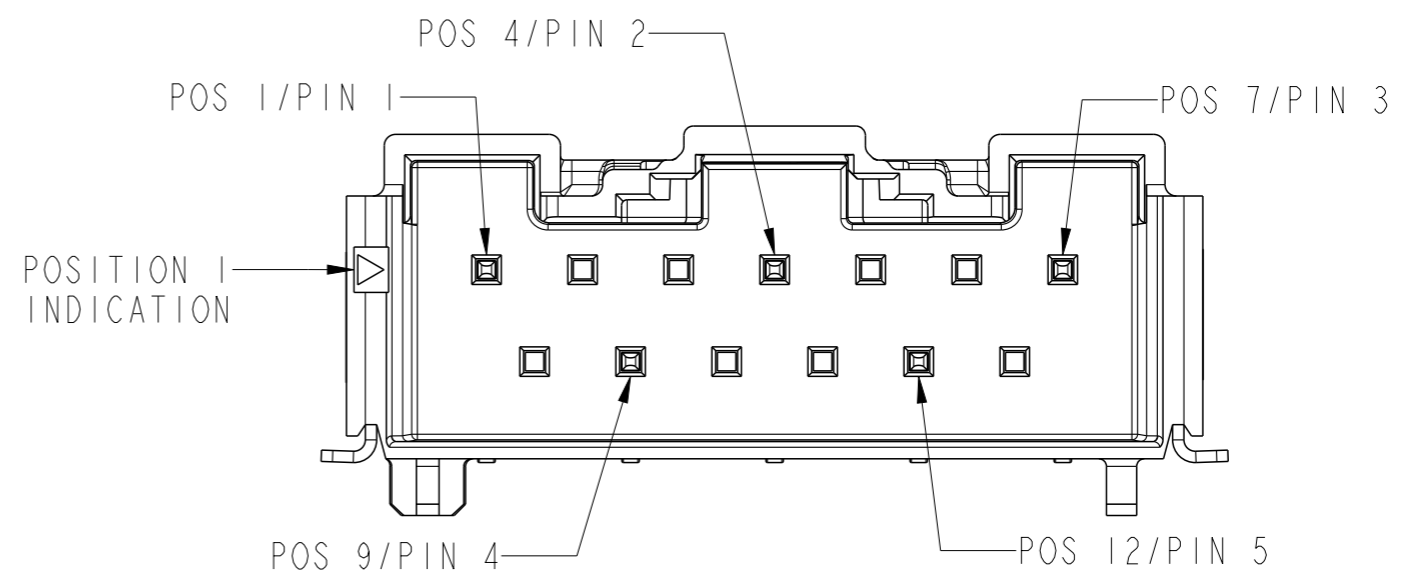
3

4

A



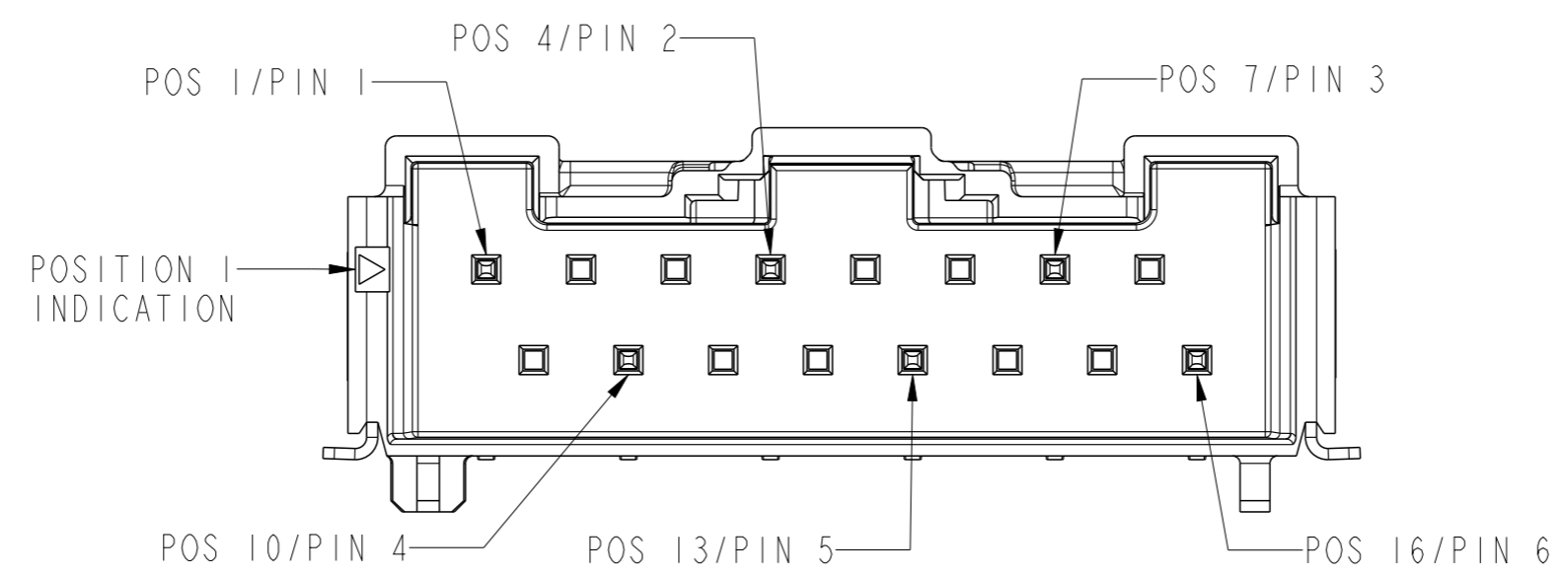
POSITION NUMBER INDICATION FOR 10POS VERSION



POSITION NUMBER INDICATION FOR 13POS VERSION

B

B



POSITION NUMBER INDICATION FOR 16POS VERSION

C

C

Amphenol  
FCi

© 2020 Amphenol Corporation

D

D

spec ref	GS-12-1821	dr	Huang, Yin-Chi	2023/01/16	projection		size	A3	scale	5:1
tolerance std	ISO 406 ISO 1101	eng	Moisan, Gwenda	2023/03/16		mm				
	TOLERANCES UNLESS OTHERWISE SPECIFIED	chr	Huang, Yin-Chi	2023/03/16						
		appr	Vallière, Jérôme	2023/03/16	product family	-	rel level	Released		
surface	linear	0.X	±0.3	<b>Amphenol FCi</b>	HEADER ASSEMBLY - 400 V		dwg no	10170436		rev
		0.XX	±0.10		MINITEK μSPACE STAGGERED TOP LATCH					
		0.XXX	±0.005							
ISO 1302	angular	0°	±2°	amphenol-icc.com	cat. no.	-	Product - Customer Drw	sheet 3 of 3		

Creo File:ELX-WC-A3C.REV F.2020-12-21

2

3

PDS: Rev :A

STATUS:Released

Printed: Mar 17, 2023