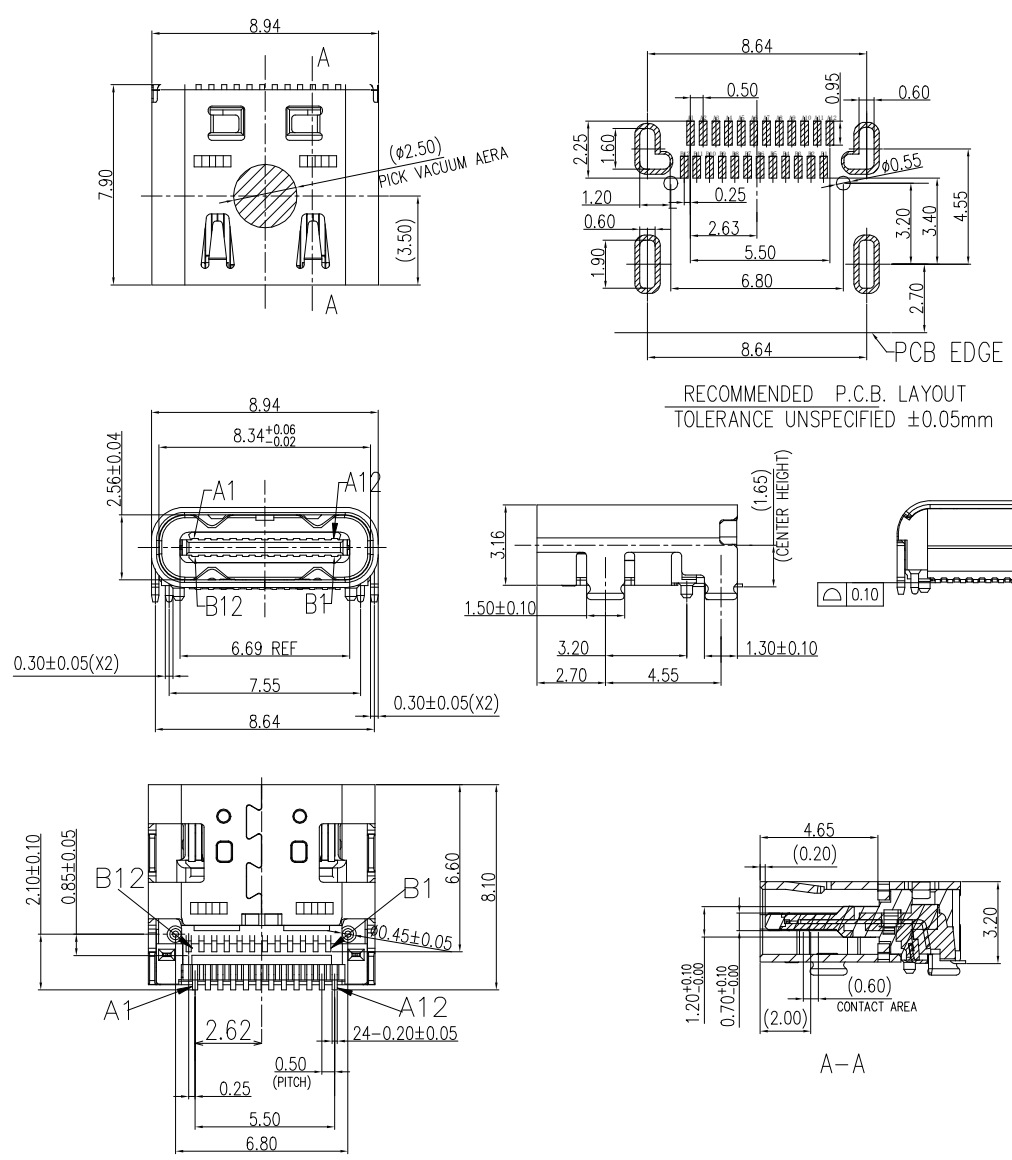


Amphenol FCI  
© 2016 AFCI



RECOMMENDED P.C.B. LAYOUT  
TOLERANCE UNSPECIFIED ±0.05mm

- NOTES:
- MATERIAL: SEE TABLE "A"
  - FINISH: SEE TABLE "A"
  - ELECTRICAL CHARACTERISTICS:
    - CONTACT RESISTANCE: 40mΩ Max FOR INITIAL; 10mΩ CHANGE AFTER TEST. MEASURE AT 20mV, 100mA.
    - CONTACT CURRENT RATING: 5A FOR VBUS PIN; 1.25A FOR VCONN PIN.
    - DIELECTRIC WITHSTANDING VOLTAGE: 100V AC R.M.S.
    - INSULATION RESISTANCE 100MΩ Min
    - OPERATING TEMPERATURE: -30°C~85°C
  - MECHANICAL CHARACTERISTICS:
    - MATING FORCE: 5~20 N.
    - UNMATED FORCE: 8~20N AFTER TEST
    - DURABILITY: 10,000 CYCLES

PART NUMBER SCHEME:  
10163749-000 X X LF

CONTACT PLATING:  
1. GOLD FLASH  
2. 30u" Au  
3. 15u" Au

PACKAGING:  
2. TAPE REEL

A1	A2	A3	A4	A5	A6	A7	A8	A9	A10	A11	A12
GND	TX1+	TX1-	Vbus	CC1	D+	D-	SBU1	Vbus	RX2-	RX2+	GND
GND	RX1+	RX1-	Vbus	SBU2	D-	D+	CC1	Vbus	TX2-	TX2+	GND
B12	B11	B10	B9	B8	B7	B6	B5	B4	B3	B2	B1

5	SHELL	STAINLESS STEEL, NI PLATED	1
4	MID PLATE	STAINLESS STEEL, NI PLATED	1
3	BOT CONTACT	COPPER ALLOY CONTACT AREA: Au	12
2	TOP CONTACT	SOLDER AREA: GOLD FLASH., ALL OVER NI PLATED	12
1	HOUSING	HIGH TEMPERATURE PLASTIC, BLACK, UL94V-0	1
NO.	DESCRIPTION	MATERIAL AND FINISH	QTY

mat'l. code	surface	tolerance	projection	product family
	ISO 1302	ISO 406	ISO 1101	HPL 511
ltr	ecn no	dr	date	title
A	-	YY	2022/03/10	USB TYPE C FEMALE R/A DUAL SMT TYPE
				dwg no
				10163749
				sheet 1 of 1
				size
				A3
				type
				Product Customer Drawing
sheet	revision			
index	sheet			