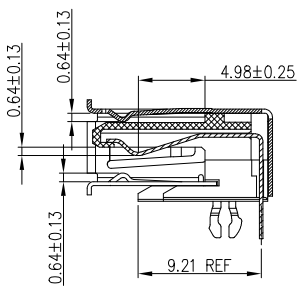
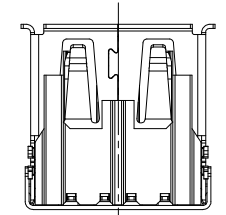
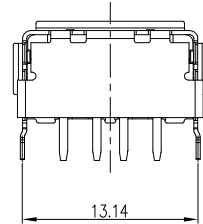
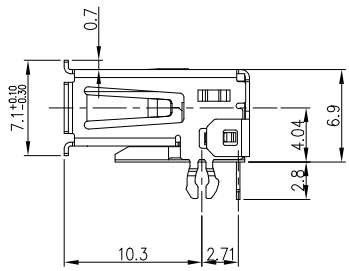
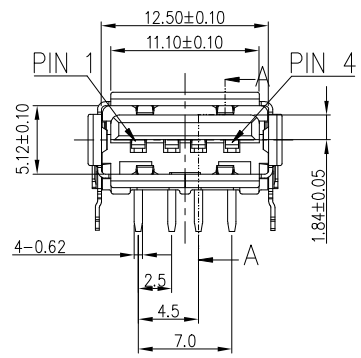
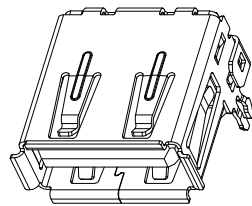
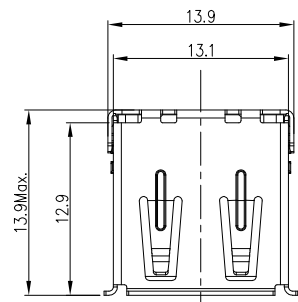
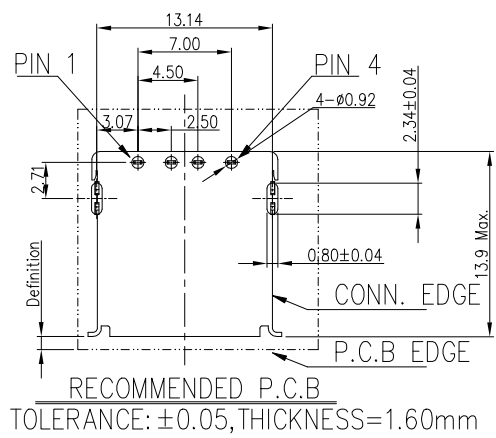


Amphenol FCI  
 © 2016 AFCI



SECTION A-A



- NOTES:
- MATERIAL:
    - TERMINALS: COPPER ALLOY;
    - SHELL: STAINLESS STEEL;
    - HOUSING: UL94V-0 RATED THERMOPLASTIC, COLOR: NATURE OR BLACK;
  - PLATING:
    - TERMINALS :
      - CONTACT AREA PLATING Au: 30u" Min.,
      - SOLDERING AREA: MATTE Sn 50u" Min., OVERALL PLATING Ni: 50u";
    - SHELL :
      - ALL OVER PLATING Ni: 50u" Min.,
      - SOLDERING AREA: MATTE Sn 50u" Min.;
  - ELECTRICAL CHARACTERISTICS :
    - RATED CURRENT : 2.0A
    - CONTACT RESISTANCE: 30m OHM MAX
    - INSULATION RESISTANCE: 1000M OHM MIN.;
    - RESISTANCE VOLTAGE: 500V AC/DC;
  - MECHANICAL CHARACTERISTICS:
    - INSERTION FORCE: 3.57kgf Max.;
    - EXTRACTION FORCE: 0.82kgf Min
    - DURABILITY: 15000 CYELES;
  - ENVIRONMENTAL CHARACTERISTICS:
    - OPERATING TEMPERATURE: -25°C~+85°C;

Product Number Code:

10162810-000 X X LF

- LEAD FREE:
- PACKAGING OPTIONS:
  - A: TAPE AND REEL
  - B: TUBES
  - C: TRAY
- HOUSING COLOR:
  - 0: NATURAL
  - 1: BLACK
- RESERVE CODE:

mat'l. code		surface ISO 1302 ✓		tolerance ISO 406 ISO 1101		projection ⊕		product family HPL 511	
ltr	ecn no	dr	date	tolerances unless otherwise specified			title		
A	NEW RELEASE	YY	2021/10/27	angles	linear	.0±0.30	INCH/MM		USB 2.0 RECEPTACLE
				0°±2'		.00±0.20	scale 2:1		
				dr	Y-Y Bao	2021/10/27	Amphenol FCI		dwg no
				enr	Y-Y Bao	2021/10/27			sheet 1 of 1
				chr	L-Q Lei	2021/10/27			size
				appd	Tim Yao	2021/10/27			A3
sheet index		revision sheet						type Product Customer Drawing	