

NOTE:

1.MATERIAL SPECIFICATION:

- 1.HOUSING&PICKUP COVER:LCP,UL94 V-0.
- 2.CONTACTS: COPPER ALLOY
- 3.LATCH: STAINLESS STEEL
- 4.SPRING: STAINLESS STEEL
- 5.FRONT SHELL: STAINLESS STEEL

2.PLATING SPECIFICATION:

2-1.CONTACTS:

- Ni 50u" MIN. UNDER PLATED OVER ALL.
- Au PLATED ON THE FUNCTIONAL AREA OF CONTACT.
- (GOLD PLATING THICKNESS FOLLOW THE P/N)
- PLATING SPECIFICATIONS OF THE SOLDER AREA FOLLOW THE P/N

2-2.FRONT SHELL:

- Ni 30u" MIN. UNDER PLATED OVER ALL.

2-3.LATCH:

- Ni 50u" MIN. UNDER PLATED OVER ALL.

- 80u" MIN. TIN PLATED ON SOLDER AREA.

2-4.SPRING:

- CLEAR ONLY

3.MECHANICAL PERFORMANCE,

- 3-1.INSERTION FORCE: 0.5~2.0kgf.
- 3-2.REMOVAL FORCE: 0.8kgf~2.0kgf.
- 3-3.DURABILITY: 10000 CYCLES.

4.ELECTRICAL PERFORMANCE,

- 4-1.CURRENT RATING: 3.0A
- VOLTAGE RATING: 5.0V
- 4-2.LLCR:

  - VBUS & GND PINS AND OTHER PINS: 40mΩ/PIN MAX.
  - SHIELD: 50mΩ/MAX.
  - LLCR MAX. CHANGE OF ALL PINS: 10mΩ.

- 4-3.INSULATION RESISTANCE: 100MΩ MIN
- 4-4.DIELECTRIC WITHSTAND VOLTAGE,AC 100V FOR 1 MINUTE.

5.ENVIRONMENTAL PERFORMANCE:

- OPERATING TEMPERATURE: -25°C~+85°C.

6.IR REFLOW:

- THE PEAK TEMPERATURE ON THE BOARD SHALL BE MAINTAINED FOR 10 SECONDS AT 260°C.

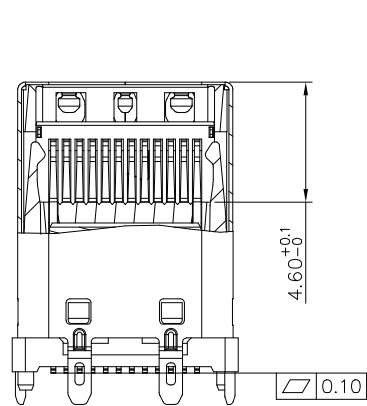
7.PRODUCT SPECIFICATION: GS-12-1613.

PART NUMBER DESCRIPTION

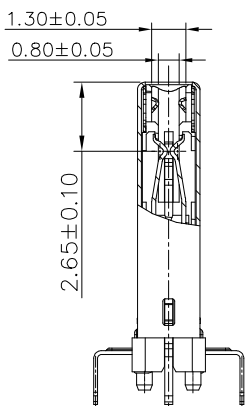
10160261-000 X X LF

- PACKAGING
- 1. TAPE AND REEL WITH CAP
- CONTACT PLATING
- 1. GOLD FLASH
- 2. 15u" Au
- 3. 30u" Au

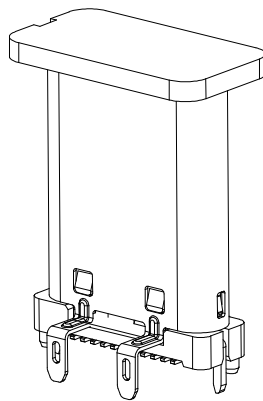
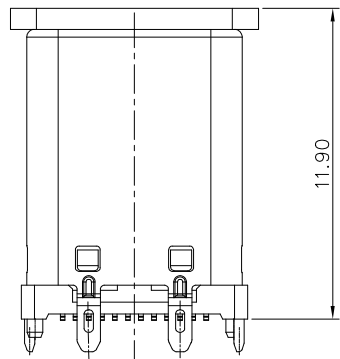
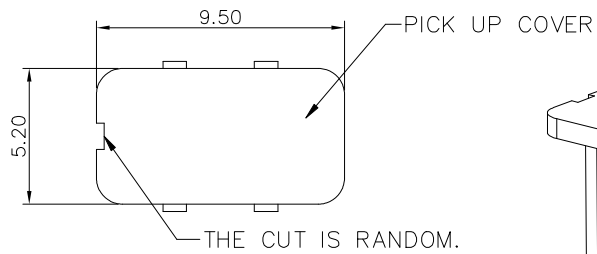
|             |                |                    |            |                                       |          |                  |                               |                        |      |
|-------------|----------------|--------------------|------------|---------------------------------------|----------|------------------|-------------------------------|------------------------|------|
| mat'l. code |                | surface ISO 1302 ✓ |            | tolerance ISO 406 ISO                 |          | projection 11011 |                               | product family HPL 511 |      |
| ltr         | ecn no         | dr                 | date       | tolerances unless otherwise specified |          | mm               |                               | title                  |      |
| A           | -              | YY                 | 08/03/2021 | angles                                | .0±.30   | ← mm →           |                               | USB TYPE C PLUG        |      |
| B           | ELX-N-42066-1  | YY                 | 08/18/2021 | linear                                | .00±.20  | scale 1:1        |                               | VERTICAL SMT TYPE      |      |
|             |                |                    |            | 0°±5'                                 | .000±.10 |                  |                               | dwg no                 |      |
|             |                |                    |            | dr                                    | Y-Y Bao  | 08/18/2021       | sheet 1 of 3                  |                        | size |
|             |                |                    |            | engr                                  | Y-Y Bao  | 08/18/2021       | 10160261                      |                        | A3   |
|             |                |                    |            | chr                                   | L-Q Lei  | 08/18/2021       | type Product Customer Drawing |                        |      |
|             |                |                    |            | appd                                  | Tim Yao  | 08/18/2021       |                               |                        |      |
| sheet index | revision sheet |                    |            |                                       |          |                  |                               |                        |      |



SECTION: A-A



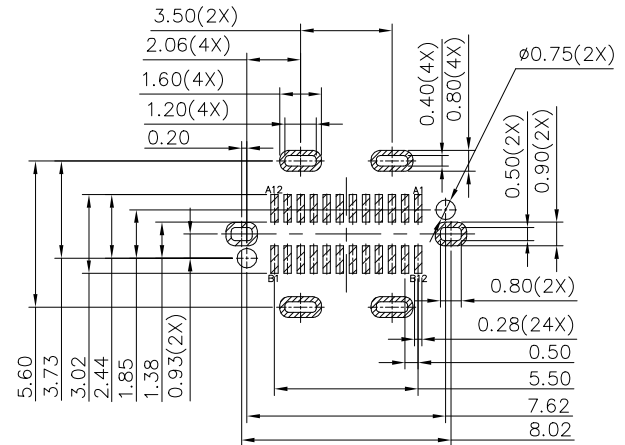
SECTION: B-B



AFTER WITH PICKUP COVER

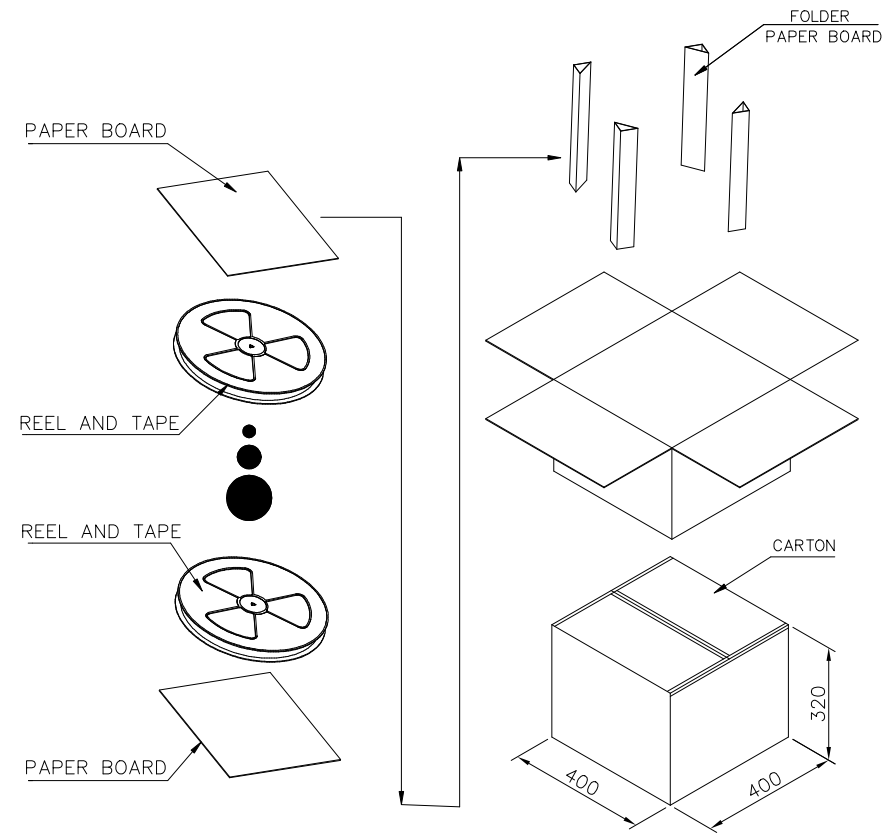
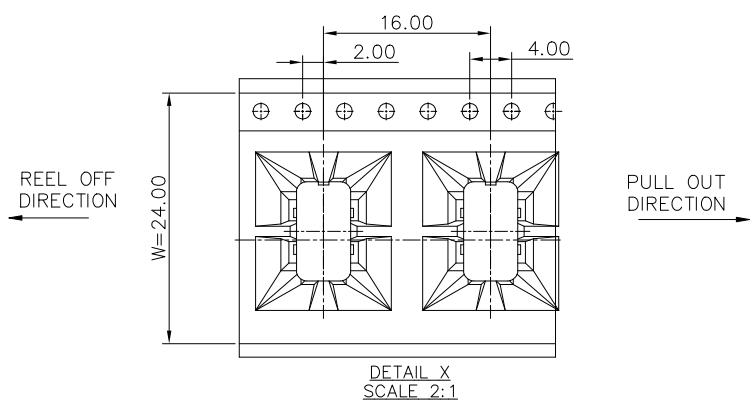
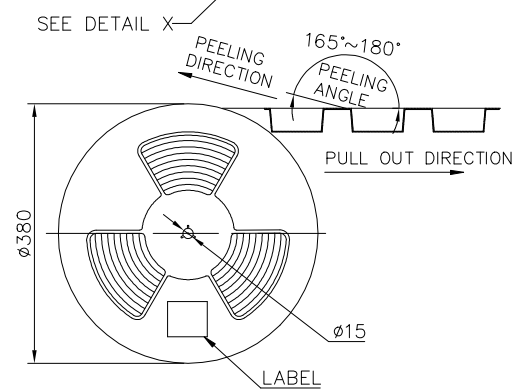
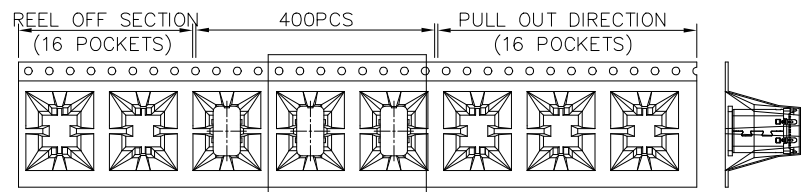
USB TYPE-C PIN ASSIGNMENTS

| PIN NUMBER | SIGNAL NAME | PIN NUMBER | SIGNAL NAME |
|------------|-------------|------------|-------------|
| A1         | GND         | B12        | GND         |
| A2         | SSTXp1      | B11        | SSRXp1      |
| A3         | SSTXn1      | B10        | SSRXn1      |
| A4         | VBUS        | B9         | VBUS        |
| A5         | CC1         | B8         | SBU2        |
| A6         | Dp1         | B7         | Dn2         |
| A7         | Dn1         | B6         | Dp2         |
| A8         | SBU1        | B5         | CC2         |
| A9         | VBUS        | B4         | VBUS        |
| A10        | SSRXn2      | B3         | SSTXn2      |
| A11        | SSRXp2      | B2         | SSTXp2      |
| A12        | GND         | B1         | GND         |



RECOMMENDED PCB LAYOUT(TOP VIEW)  
THICKNESS 0.8±0.10MM; DEFAULT TOLERANCE: ±0.05

|             |                |            |                  |                                       |  |
|-------------|----------------|------------|------------------|---------------------------------------|--|
| mat'l. code |                | surface    | tolerance        | projection                            | product family                                   |
|             |                | ISO 1302 ✓ | ISO 406 ISO 1101 |                                       | HPL 511  |
| ltr         | ecn no         | dr         | date             | tolerances unless otherwise specified | title  |
| B           |                |            |                  | .0±.30<br>.00±.20<br>.000±.10         | USB TYPE C PLUG<br>VERTICAL SMT TYPE             |
|             |                | angles     | linear           | mm                                    | scale 1:1  |
|             |                | 0°±5'      |                  |                                       |  |
|             |                | dr         | Y-Y Bao          | 08/18/2021                            |  |
|             |                | engr       | Y-Y Bao          | 08/18/2021                            |  |
|             |                | chr        | L-Q Lei          | 08/18/2021                            |  |
|             |                | appd       | Tim Yao          | 08/18/2021                            |  |
| sheet index | revision sheet |            |                  |                                       | dwg no 10160261<br>type Product Customer Drawing |



| QUANTITY PER REEL | REEL QUANTITY PER CARTON | QUANTITY PER CARTON |
|-------------------|--------------------------|---------------------|
| 400PCS            | 10PCS                    | 4000PCS             |

|             |                |                    |                            |                                       |                                   |           |
|-------------|----------------|--------------------|----------------------------|---------------------------------------|-----------------------------------|-----------|
| mat'l. code |                | surface ISO 1302 ✓ | tolerance ISO 406 ISO 1101 | projection                            | product family HPL 511            |           |
| ltr         | ecn no         | dr                 | date                       | tolerances unless otherwise specified | title                             |           |
| B           |                |                    |                            | angles linear                         | USB TYPE C PLUG VERTICAL SMT TYPE |           |
|             |                |                    |                            | 0°±5'                                 | mm                                | scale 1:1 |
|             |                | dr                 | Y-Y Bao                    | 08/18/2021                            | dwg no sheet 3 of 3 size          |           |
|             |                | engr               | Y-Y Bao                    | 08/18/2021                            | 10160261 A3                       |           |
|             |                | chr                | L-Q Lei                    | 08/18/2021                            | type Product Customer Drawing     |           |
|             |                | appd               | Tim Yao                    | 08/18/2021                            |                                   |           |
| sheet index | revision sheet |                    |                            |                                       |                                   |           |