

PART NUMBER SCHEME:

10159558-X XX X X X X X F

LEAD FREE

X	POWER POSITION
2	1+1
4	2+2
6	3+3
8	4+4
A	5+5

XX	SIGNAL POSITION
06	2X3
08	2X4
10	2X5
20	2X10
30	2X15
40	2x20
**	***
A4	2X70

X	FOR RECEPTACLE, SEE DWG. NO. 10159559			
COMBINATION OF MATED HEIGHT	HEADER 1	HEADER 2	HEADER 3	HEADER 4
	HEIGHT: 1.3	HEIGHT: 2.3	HEIGHT: 3.3	HEIGHT: 4.3
RECEPTACLE 1				
HEIGHT: 3.7	5	6	7	8
RECEPTACLE 2				
HEIGHT: 7.7	9	10	11	12
RECEPTACLE 3				
HEIGHT: 11.7	13	14	15	16
RECEPTACLE 4				
HEIGHT: 15.7	17	18	19	20

X	CONTACT AREA PLATING
1	GOLD 0.05um MIN
2	GOLD OR GXT 0.2um MIN
3	GOLD OR GXT 0.375um MIN
4	GOLD OR GXT 0.75um MIN

X	POLARIZATION PEG/ DATE CODE
L	WITH PEG/ WITHOUT DATE CODE
P	WITH PEG/ WITH DATE CODE
C	WITH PEG/ CUSTOMIZED DATE CODE
M	WITHOUT PEG/ WITHOUT DATE CODE
N	WITHOUT PEG/ WITH DATE CODE

X	SOLDER TAIL PLATING:	
	POWER PIN	SIGNAL PIN
1	GOLD FLASH	TIN
2	GOLD FLASH	GOLD FLASH

X	PACKAGING
R	T&R WITH PICK UP FEATURE
T	TUBE WITHOUT PICK UP FEATURE
Q	T&R WITHOUT PICK UP FEATURE

PICK UP FEATURE	DESCRIPTION
MYLAR	SIGNAL POSITION LESS THAN 40 POS
METAL CAP	SIGNAL POSITION MORE THAN 40 POS

DATE CODE:XXXXXX

DAY (01~32)
MONTH (01~12)
YEAR (00~99)

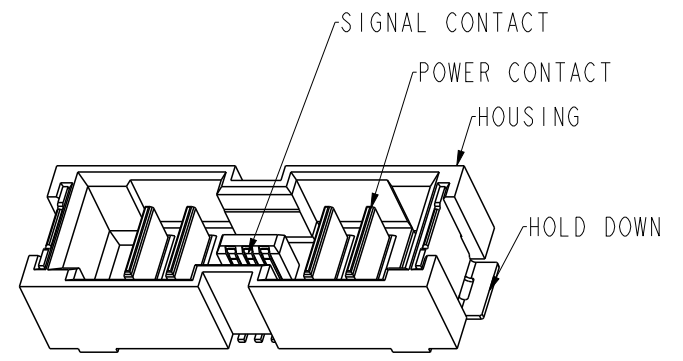
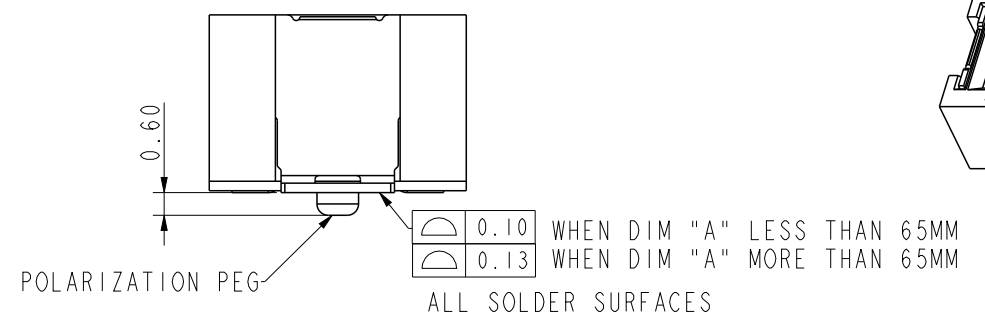
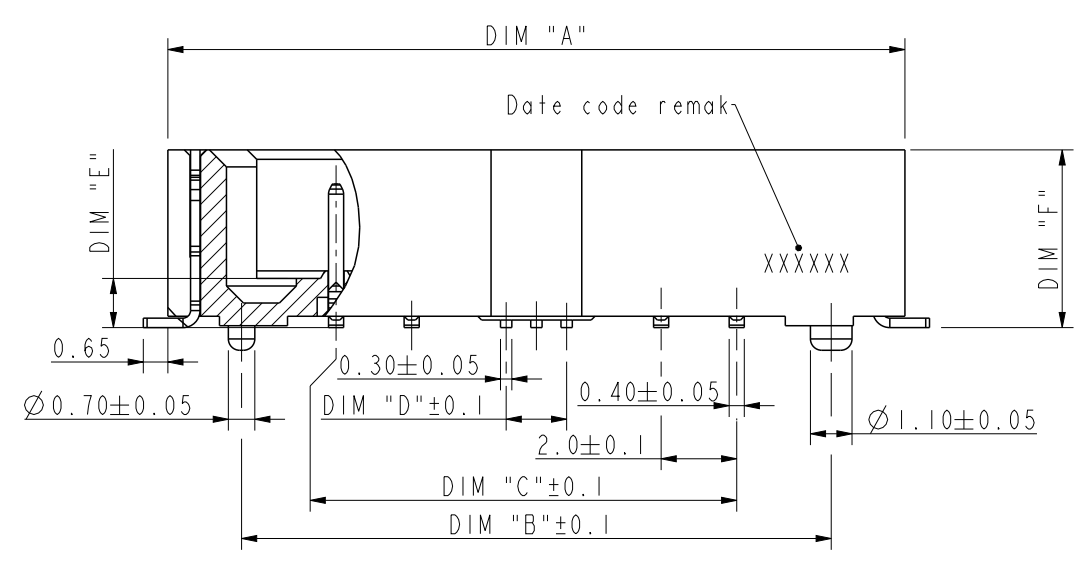
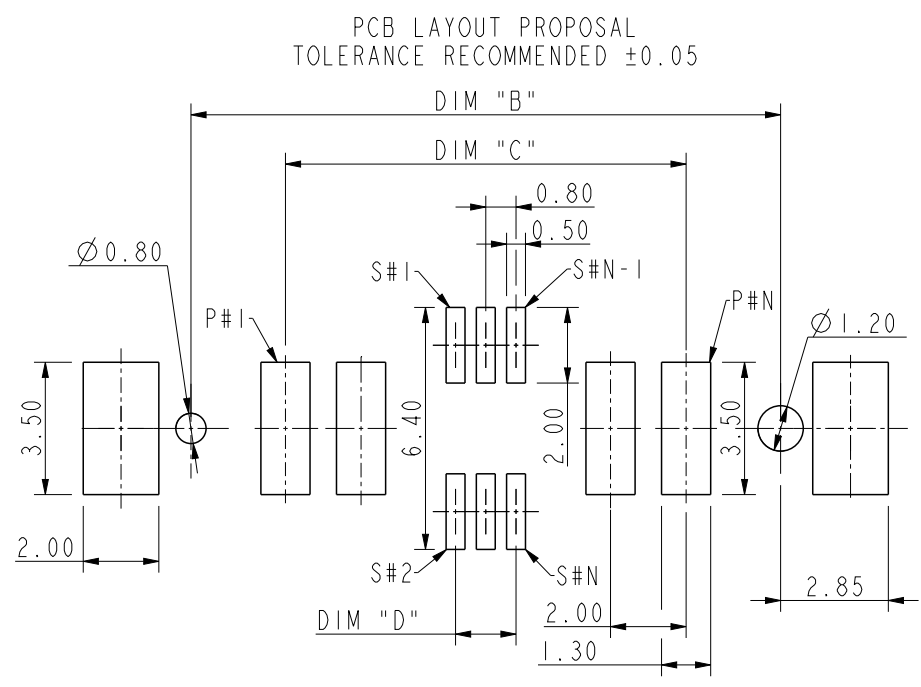
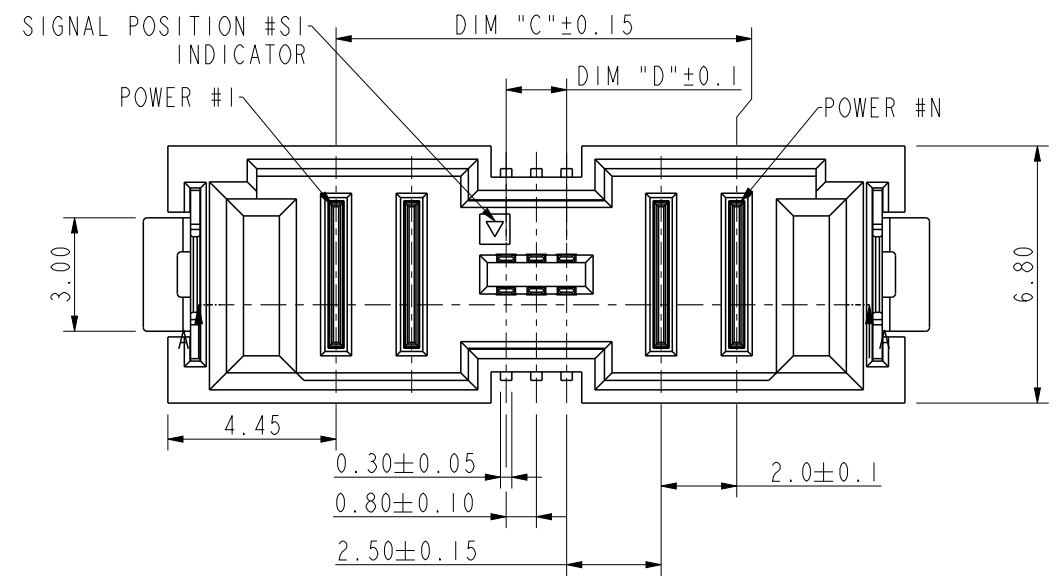
- NOTES:
- MATERIAL:
 - HOUSING: THERMOPLASTICNOTES, NATURAL, UL94V-0.
 - SIGNAL CONTACT: COPPER ALLOY
 - POWER CONTACT: COPPER ALLOY
 - HOLD DOWN: COPPER ALLOY
 - PLATING:
 - UNDER PLATING 1-3um NI UNDER PLATING;
 - CONTACT AREA: ACCORDING TO PART NUMBER;
 - SOLDER TAIL:
 - SIGNAL CONTACT: ACCORDING TO PART NUMBER;
 - POWER CONTACT: ACCORDING TO PART NUMBER;
 - HOLD DOWN: TIN PLATING.
 - PRODUCT SPEC GS-12-1675;
 - APPLICATION SPEC GS-20-0696
 - THIS HOUSING WILL WITHSTAND EXPOSURE TO 260°C PEAK TEMPERATURE FOR 20 SECONDS IN A IR REFLOW SOLDERING APPLICATION.
 - THIS PRODUCT MEETS EUROPEAN UNION DIRECTIVES AND OTHER COUNTRY REGULATIONS AS DESCRIBED IN GS-47-0004.

spec ref	dr	Li-Qing Lei	2021/03/25	projection		size	A3	scale	1:1
tolerance std	eng	Li-Qing Lei	2023/07/13	chr	-	ecn no	ELX-N-48555-1	rel level	Released
	appr	Tim Yao	2023/10/18	product family	HEADER	dwg no	10159558	rev	D
surface	linear	0.X	±0.5	Amphenol FCI	ComboStak Connector	cat. no.	Product - Customer Drw	sheet 1 of 3	
		0.XX	±0.25						
		0.XXX	±0.10						
	angular	0°	±2°						

HEADER 1/2/3/4

Dimension	Computational Formula
DIM "A"	(SIGNAL POSITION / 2 - 1) X 0.8 + (POWER POSITION - 1) X 2 + 11.9
DIM "B"	(SIGNAL POSITION / 2 - 1) X 0.8 + (POWER POSITION - 1) X 2 + 8
DIM "C"	(SIGNAL POSITION / 2 - 1) X 0.8 + (POWER POSITION - 1) X 2 + 3
DIM "D"	(SIGNAL POSITION / 2 - 1) X 0.8

PRODUCT	DIM "E"	DIM "F"
HEADER 1	1.3	4.7
HEADER 2	2.3	5.7
HEADER 3	3.3	6.7
HEADER 4	4.3	7.7



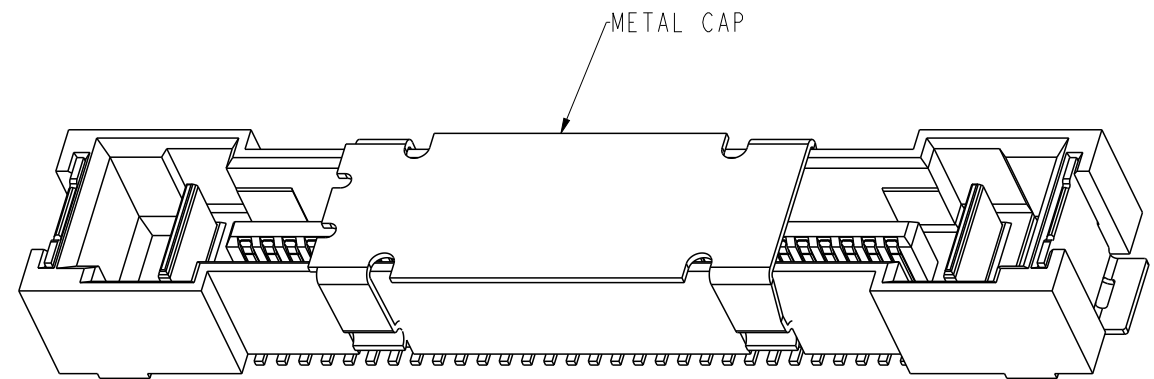
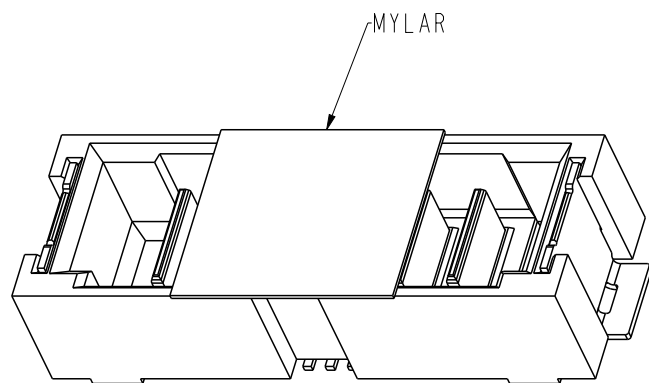
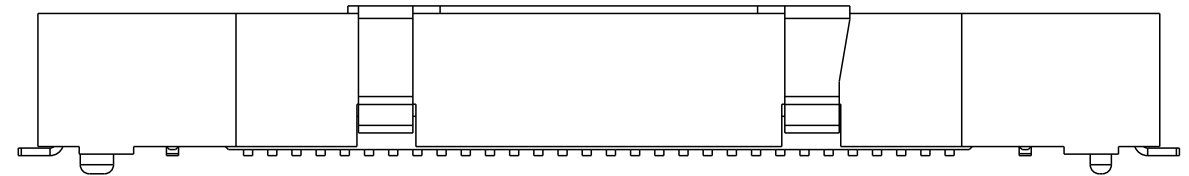
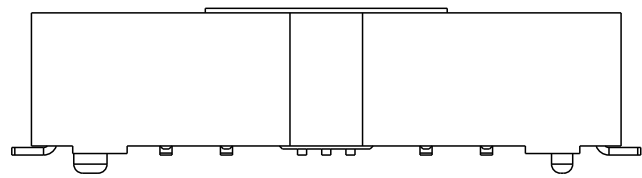
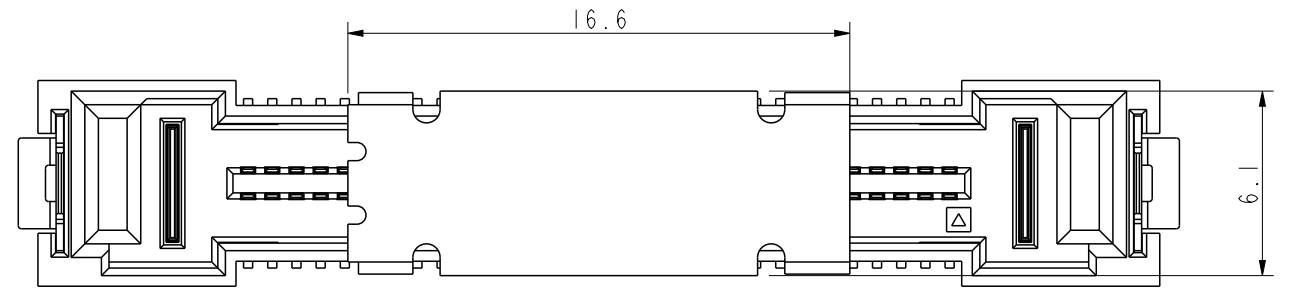
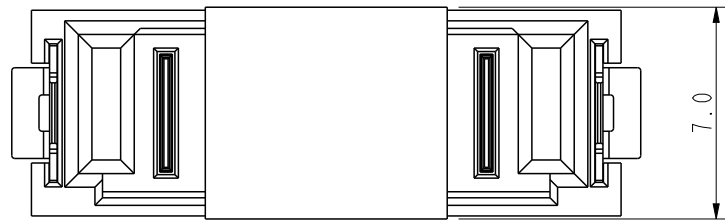
SECTION A-A

spec ref	dr	Li-Qing Lei	2021/03/25	projection	mm	size	A3	scale	1:1
tolerance std	eng	Li-Qing Lei	2023/07/13			ecn no	ELX-N-48555-1	rel level	Released
TOLERANCES UNLESS OTHERWISE SPECIFIED									
surface	linear	0.X	±0.5		title HEADER ComboStak Connector	dwg no	10159558	rev	D
		0.XX	±0.25						
		0.XXX	±0.10						
	angular	0°	±2°	cat. no.	Product - Customer Drw	sheet 2 of 3			

Creo File:ELX-WC-A3C,REV F,2020-12-21

© 2020 Amphenol Corporation
 Amphenol FCI

PICK UP FEATURE	DESCRIPTION
MYLAR	SIGNAL POSITION LESS THAN 40 POS
METAL CAP	SIGNAL POSITION MORE THAN 40 POS



spec ref		dr	Li-Qing Lei	2021/03/25	projection	mm	size	A3	scale	1:1
tolerance std		eng	Li-Qing Lei	2023/07/13			ecn no	ELX-N-48555-1		
TOLERANCES UNLESS OTHERWISE SPECIFIED		chr	-	-	product family	rel level	Released			
		appr	Tim Yao	2023/10/18						
surface	✓	linear	0.X	±0.5	Amphenol FCi	HEADER	dwg no	10159558	rev	D
			0.XX	±0.25						
			0.XXX	±0.10						
		angular	0°	±2°	cat. no.	Product - Customer Drw	sheet 3 of 3			