

NOTE:

1.MATERIAL:

PA46, HALOGEN FREE, UL APPROVAL

2.PRODUCT SPEC:

PRODUCT SPECIFICATION GS-12-1546

3.VOLTAGE RATING: 30V AC/DC. CURRENT RATING: 0.5A AC/DC

4.TEMPERATUR RANGE: -40°C~+105°C

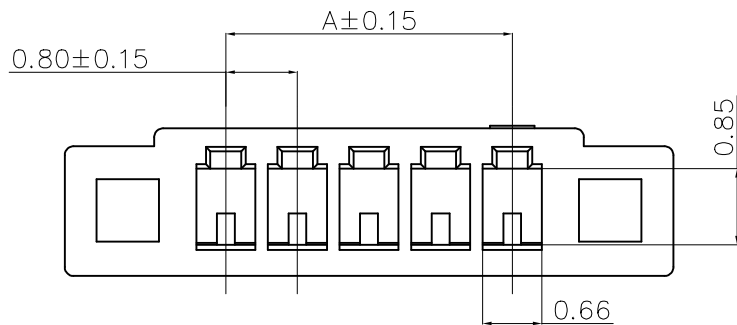
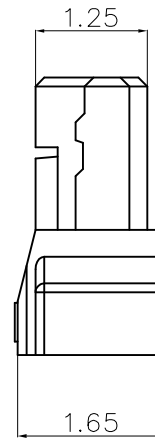
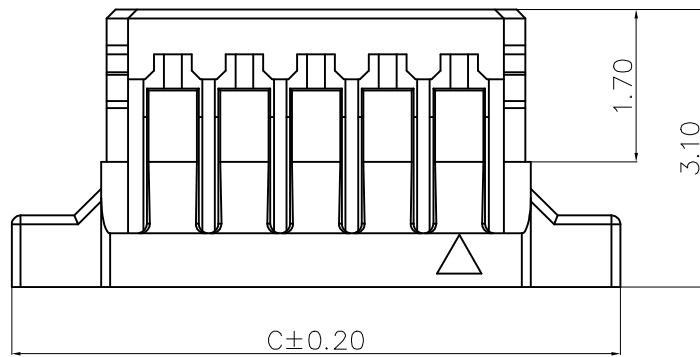
5.MATE WITH HEADER: AFCI 10154206 & 10156841

6.USE WITH: 10154208 CRIMP TERMINAL

7.RoHS STANDARD SPECIFICATION ACCORDING TO FCI GS-22-008

8.ORDERING CODE: 10159026-1 X XX LF

COLOR _____ NO. OF PINS
 0: NATURAL 02~22: 02~22PINS
 1: GRAY



Poles	Dimensions(mm)			Poles	Dimensions(mm)		
	A	B	C		A	B	C
02	0.80	1.80	4.40	12	8.80	9.80	12.40
03	1.60	2.60	5.20	13	9.60	10.60	13.20
04	2.40	3.40	6.00	14	10.40	11.40	14.00
05	3.20	4.20	6.80	15	11.20	12.20	14.80
06	4.00	5.00	7.60	16	12.00	13.00	15.60
07	4.80	5.80	8.40	17	12.80	13.80	16.40
08	5.60	6.60	9.20	18	13.60	14.60	17.20
09	6.40	7.40	10.00	19	14.40	15.40	18.00
10	7.20	8.20	10.80	20	15.20	16.20	18.80
11	8.00	9.00	11.60	22	16.80	17.80	20.40

mat'l. code		surface ISO 1302 ✓		tolerance ISO 406 ISO 1101		projection		product family	
ltr		ecn no		dr		date		FITMATE	
A		New Release		YS		2022-04-08		title	
								0.8mm Pitch RA Receptacle Housing	
								dwg no	
								sheet 1 of 1	
								size	
								A3	
								type	
								Product Customer Drawing	
sheet index		revision		A					
		sheet		1					

Amphenol FCI

© 2016 AFCI