

NOTE:

- 1.PLATING SPECIFICATION:
 - 1-1.CONTACTS:
 - Ni 50u" MIN. UNDER PLATED OVER ALL.
 - Au PLATED ON THE FUNCTIONAL AREA OF CONTACT.
 - (GOLD PLATING THICKNESS FOLLOW THE P/N)
 - GOLD FLASH PLATED ON SOLDER AREA.
 - 1-2.FRONT SHELL:
 - Ni 30u" MIN. UNDER PLATED OVER ALL.
 - 1-3.MID PLATE:
 - Ni 30u" MIN. UNDER PLATED OVER ALL.
 - 1-4.EMI PLATE:
 - CLEAR ONLY
- 2.MECHANICAL PERFORMANCE,
 - 2-1.INSERTION FORCE: 0.5~2.0kgf.
 - 2-2.REMOVAL FORCE: Initial 0.8~2.0kgf; After durability 0.6~2.0kgf.
 - 2-3.DURABILITY: 10000 CYCLES.
- 3.ELECTRICAL PERFORMANCE,
 - 3-1. CURRENT RATING:1.25A for A4/A9/B4/B9 PIN,5.0A for Other PINS
 - VOLTAGE RATING: 5.0V
 - 3-2. LLCR:
 - VBUS & GND PINS AND OTHER PINS: 40mΩ/PIN MAX.
 - SHIELD: 50mΩ/MAX.
 - LLCR MAX. CHANGE OF ALL PINS: 10mΩ.
 - 3-3.INSULATION RESISTANCE: 100MΩ MIN
 - 3-4.DIELECTRIC WITHSTAND VOLTAGE,AC 100VAC FOR 1 MINUTE.
4. ENVIRONMENTAL PERFORMANCE:
 - OPERATING TEMPERATURE: -55°C~+85°C.
5. IR REFLOW:
 - THE PEAK TEMPERATURE ON THE BOARD SHALL BE MAINTAINED FOR 10 SECONDS AT 260°C.
6. PRODUCT DESCRIPTION:

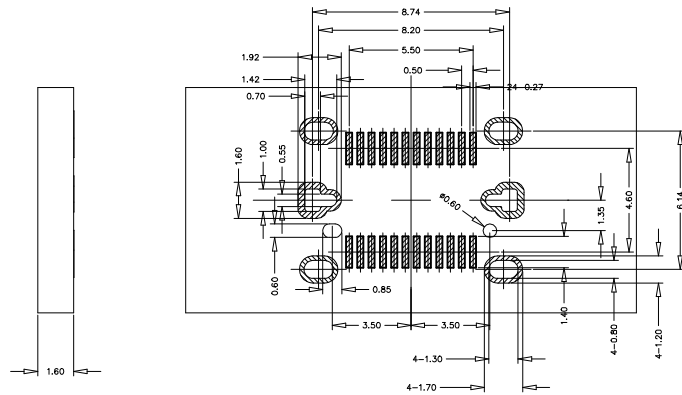
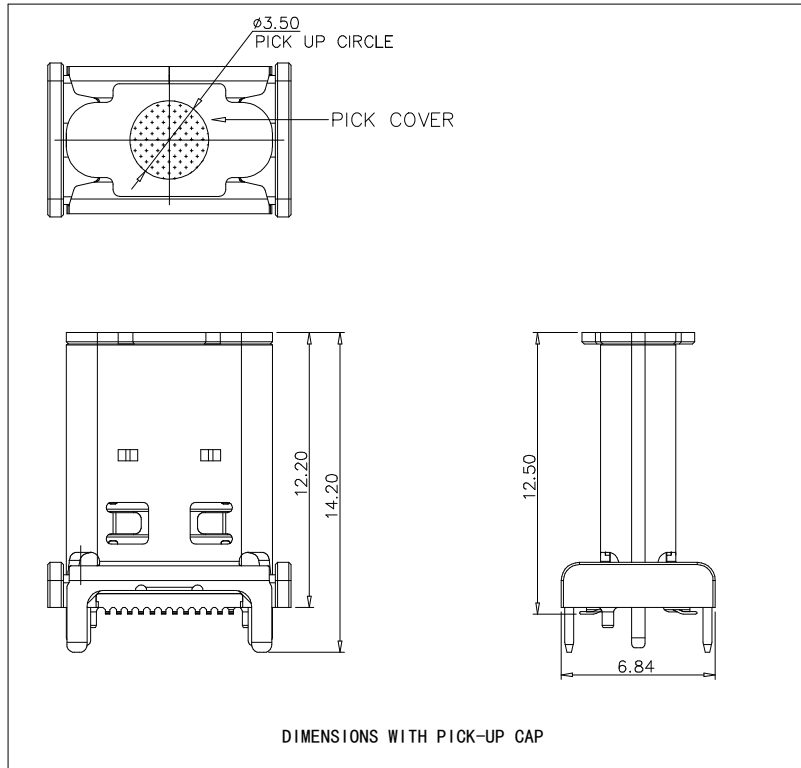
10157658-000 X X LF

- PACKAGING
 - 1. TAPE AND REEL
- CONTACT PLATING
 - 1. GOLD FLASH
 - 2. 30u" Au
 - 3. 15u" Au

NO.	PART NAME	MATERIAL	FINISH	QTY
7	COVER	THFRMOPLASTIC PLASTIC	BLACK,UL 94V-0	1
6	EMI-SHELL	STAINLESS STEEL	NO PLATING	1
5	MID-PLATE	STAINLESS STEEL	30u" Ni Min PLATING	1
4	SHELL	STAINLESS STEEL	30u" Ni Min PLATING	1
3	CONTACT	COPPER ALLOY	Au plating overall	24
2	1/Molding	THERMOPLASTIC PLASTIC	BLACK,UL 94V-0	2
1	3/Molding	THFRMOPLASTIC PLASTIC	BLACK,UL 94V-0	1

mat'l. code		surface ISO 1302 ✓		tolerance ISO 406 ISO 1101		projection		product family	
ltr		ecn no		dr		date		title	
A		NEW RELEASE		YY		2021/10/26		USB	
				angles		linear		title	
				.X±.35		.XX±.25		USB Type C Female	
				X'±2'		.XXX±.15		VERTICAL SMT TYPE	
				dr		Yuan-Yuan Bao		2021/10/26	
				engr		Y-Y Bao		2021/10/26	
				chr		L-Q Lei		2021/10/26	
				appd		Tim Yao		2021/10/26	
sheet index		revision sheet							

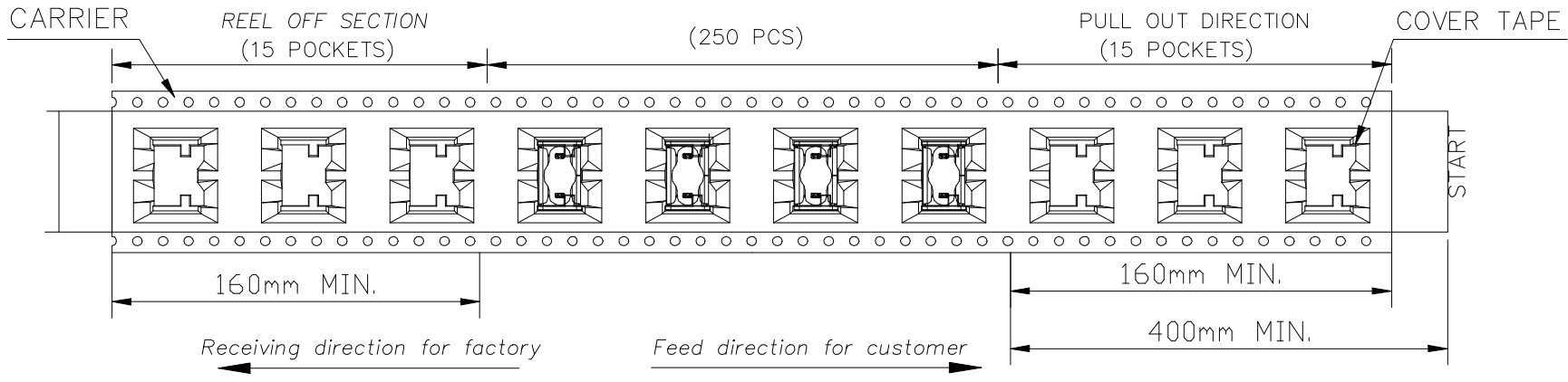
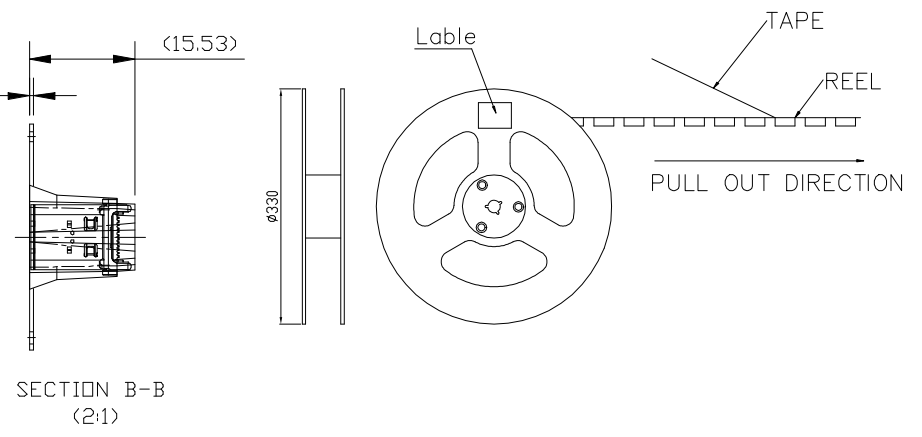
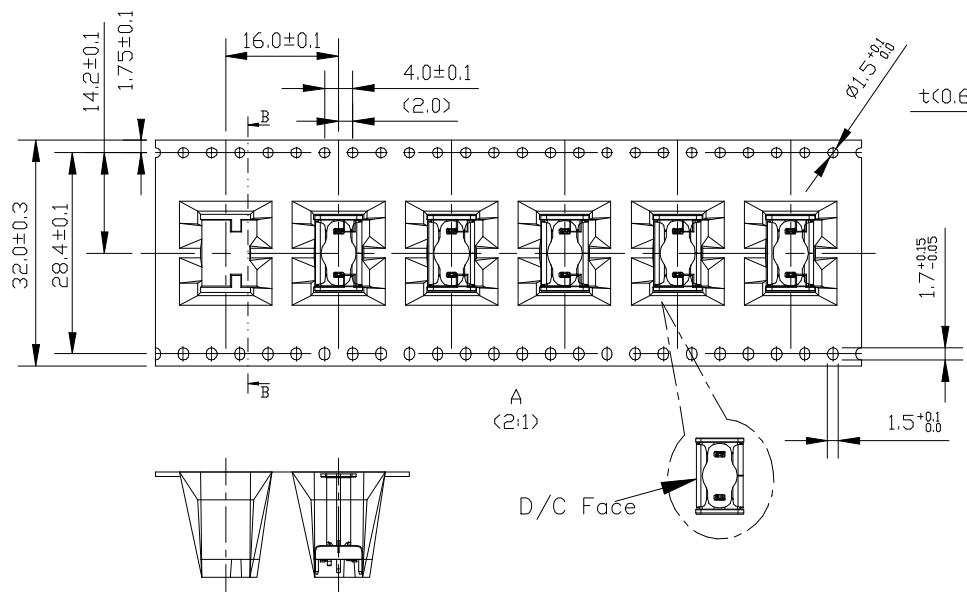
product family		title		sheet 1 of 4		size	
USB		USB Type C Female		10157658		A3	
type		Product Customer Drawing					



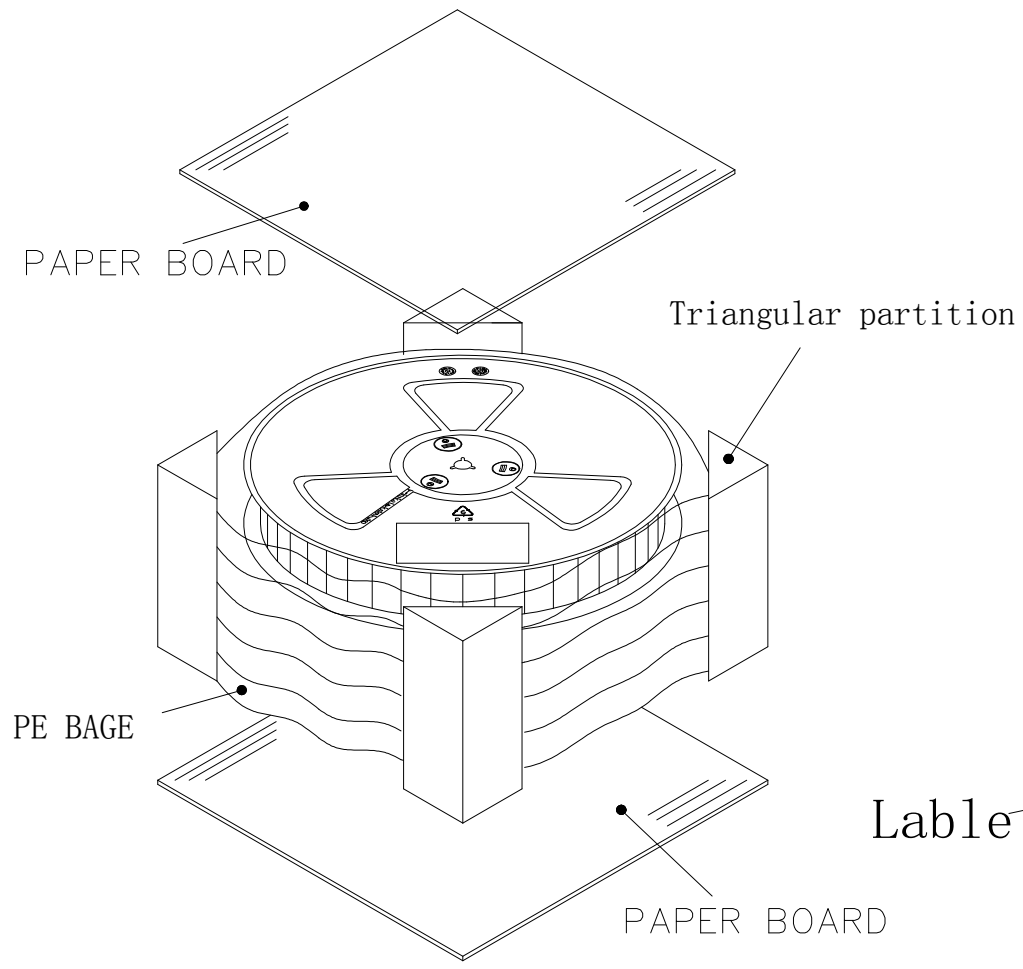
PIN DEFINE:

Pin	Signal Name	Description	Mating Sequence	Pin	Signal Name	Description	Mating Sequence
A1	GND	Ground return	First	B12	GND	Ground return	First
A2	SSTXp1	Positive half of first SuperSpeed TX differential pair	Second	B11	SSRXp1	Positive half of first SuperSpeed RX differential pair	Second
A3	SSTXn1	Negative half of first SuperSpeed TX differential pair	Second	B10	SSRXn1	Negative half of first SuperSpeed RX differential pair	Second
A4	Vbus	Bus Power	First	B9	Vbus	Bus Power	First
A5	CC1	Configuration Channel	Second	B8	SBU2	Sideband Use(SBU)	Second
A6	Dp1	Positive half of the USB 2.0 differential pair-Position 1	Second	B7	Dn2	Negative half of the USB 2.0 differential pair-Position 2	Second
A7	Dn1	Negative half of the USB 2.0 differential pair-Position 1	Second	B6	Dp2	Positive half of the USB 2.0 differential pair-Position 2	Second
A8	SBU1	Sideband Use(SBU)	Second	B5	CC2	Configuration Channel	Second
A9	Vbus	Bus Power	First	B4	Vbus	Bus Power	First
A10	SSRXn2	Negative half of second SuperSpeed RX differential pair	Second	B3	SSTXn2	Negative half of second SuperSpeed TX differential pair	Second
A11	SSRXp2	Positive half of second SuperSpeed RX differential pair	Second	B2	SSTXp2	Positive half of second SuperSpeed TX differential pair	Second
A12	GND	Ground return	First	B1	GND	Ground return	First

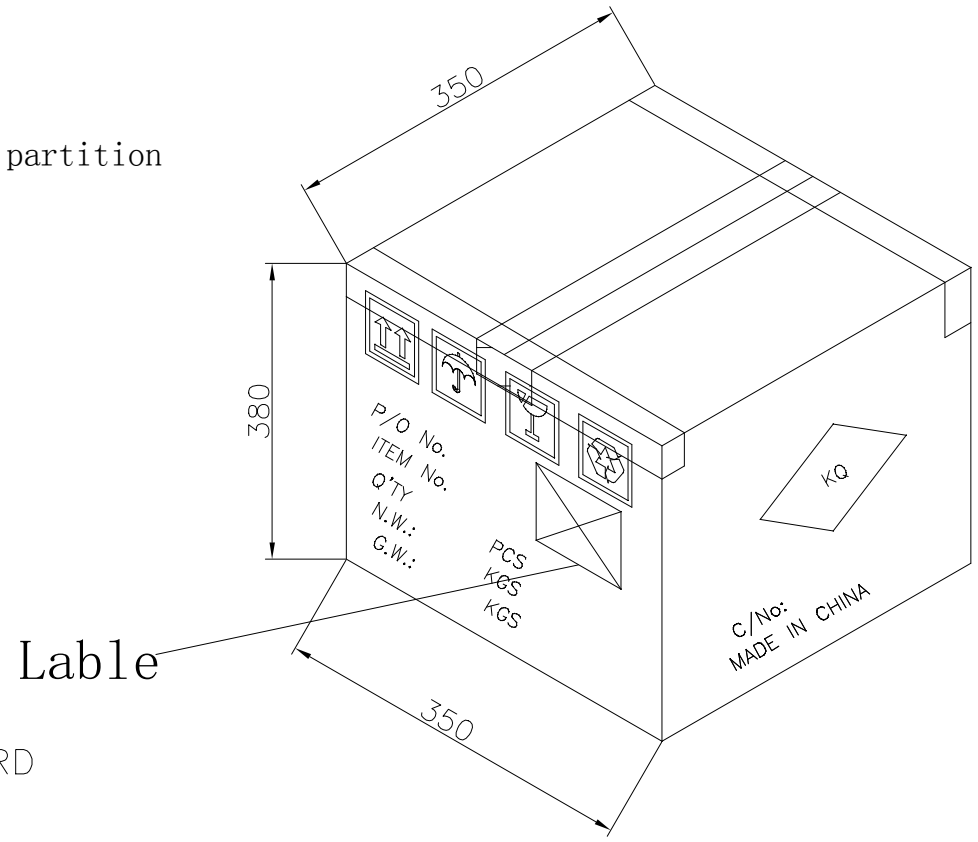
mat'l. code		surface	tolerance	projection	product family
		ISO 1302 ✓	ISO 406 ISO 1101		USB
ltr	ecn no	dr	date	title	
A				USB Type C Female VERTICAL SMT TYPE	
tolerances unless otherwise specified				mm	sheet2 of 4
angles				linear	size
X'±2'				linear	A3
dr				scale 1:1	10157658
engr				Yuan-Yuan Bao	2021/10/26
chr				L-Q Lei	2021/10/26
appd				Tim Yao	2021/10/26
sheet index		revision sheet	type Product Customer Drawing		



mat'l. code		surface ISO 1302 ✓		tolerance ISO 406 ISO 1101		projection mm		product family USB	
ltr		ecn no		dr		date		title	
A								USB Type C Female VERTICAL SMT TYPE	
				tolerances unless otherwise specified		linear		dwg no	
				.X±.35		.XX±.25		sheet 3 of 4	
				.XXX±.15		scale 1:1		size	
				dr		Yuan-Yuan Bao 2021/10/26		10157658	
				enrg		Y-Y Bao 2021/10/26		A3	
				chr		L-Q Lei 2021/10/26		type	
				appd		Tim Yao 2021/10/26		Product Customer Drawing	
sheet index		revision sheet							



PCS/REEL	REEL/BOX	PCS/BOX
250	10	2500



mat'l. code		surface ISO 1302 <input checked="" type="checkbox"/>		tolerance ISO 406 ISO 1101		projection 		product family USB	
ltr	ecn no	dr	date	tolerances unless otherwise specified			title		
A				angles	linear	.X±.35	USB Type C Female		
						.XX±.25	VERTICAL SMT TYPE		
				X'±2'		.XXX±.15	scale 1:1		
		dr	Yuan-Yuan Bao	2021/10/26	Amphenol FCI		dwg no sheet4 of 4 size		
		enrg	Y-Y Bao	2021/10/26			10157658 A3		
		chr	L-Q Lei	2021/10/26			type Product Customer Drawing		
		appd	Tim Yao	2021/10/26					
sheet index	revision sheet								