

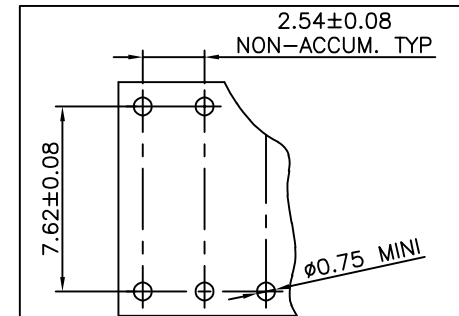
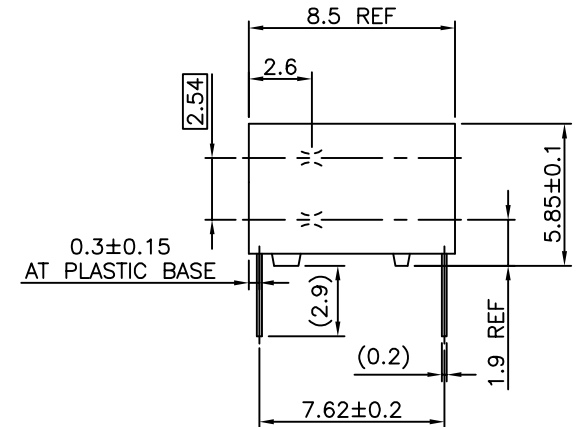
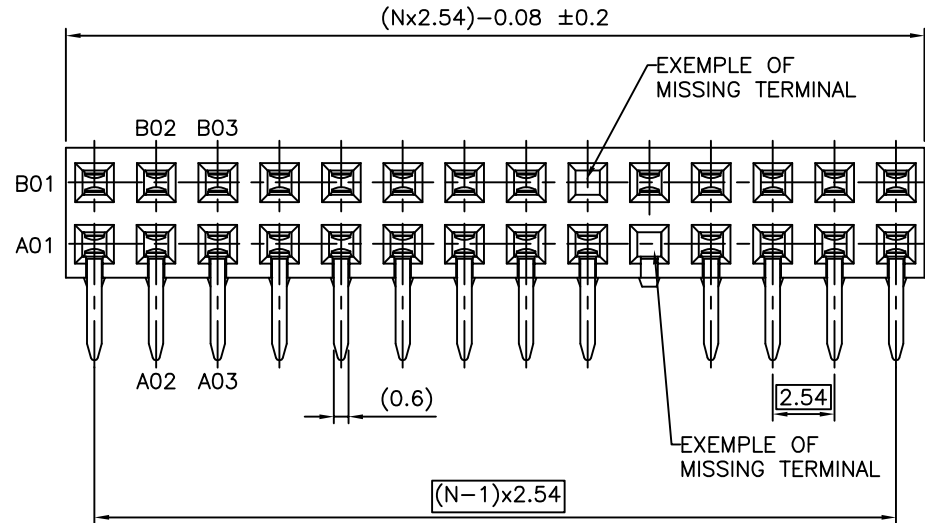
PRODUCT NUMBER
10120730-3XXLF

INDICATES THE PRODUCT IS RoHS
COMPATIBLE, NOTE 4.

PIN STYLE : SEE TABLE

3= 0.76µm GOLD ON CONTACT AREA.
2.0-6.0 MATTE TIN ON TAIL.
1.27µm Ni MIN UNDERLAYER

PIN STYLE	N : POS PER ROW	MISSING TERMINALS
01	14	B08 ; B09 ; B10 ; B11 A08 ; A09 ; A10 ; A11
02	10	B03 ; B04 ; B07 ; B08 A03 ; A04 ; A07 ; A08
03	14	B09 ; B12 A09 ; A12
04	06	B05 A05



RECOMMENDED HOLE PATTERN

NOTES:

- 1 - HOUSING MAT'L: THERMOPLASTIC GLASS FILLED FLAME RETARDANT PER UL 94 V-0. LOW TEMPERATURE: COLOR BLUE.
- 2 - TERMINAL MATERIAL: PHOSPHOR BRONZE.
- 3 - STANDARD PACKAGING IN TUBE
- 4 - RoHS COMPATIBLE PRODUCT SPECIFICATIONS
 - a - PLATING:
 - "LF" MEANS THE PRODUCT IS LEAD-FREE, 2µm MINIMUM MATTE TIN OVER 1.27µm MINIMUM NICKEL UNDERPLATE.
 - b - MANUFACTURING PROCESS COMPATIBILITY
 - THE HOUSING WILL WITHSTAND EXPOSURE TO 260°C ±5°C SOLDER BATH TEMPERATURE FOR 5 SECONDS IN A WAVE SOLDER APPLICATION WITH A 1.6mm MIN THICK CIRCUIT BOARD.
 - c - LABELING:
 - MEETS PACKAGING SPECS AS PER GS-14-920
 - d - LEGAL STATEMENT: SEE GS-47-0004

mat'l. code		surface ISO 1302 ✓		tolerance ISO 406 ISO 1101		projection mm		product family DUBOX	
ltr	ecn no	dr	date	tolerances unless otherwise specified		mm		title	
A	B-19123	LMU	14.10.21	angles	linear	scale 5:1		HCC DR TMT TYPE HE13 POLARIZED	
C	F-47220	DDE	23.02.07	±2'				dwg no 10120730	
		dr	L.MULIN	12.04.10				sheet 1 of 1 size A3	
		enr	J.COMPAGNON	12.04.10				type CUSTOMER	
		chr						Drawing	
		appd	J.COMPAGNON	14.03.25					
sheet index	revision sheet								