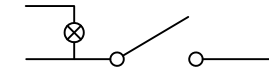
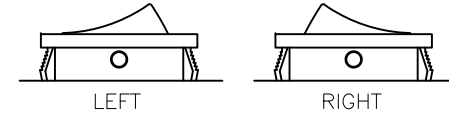
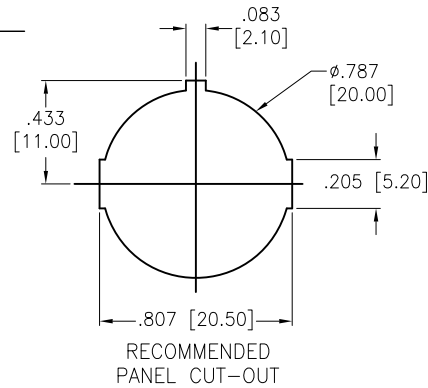
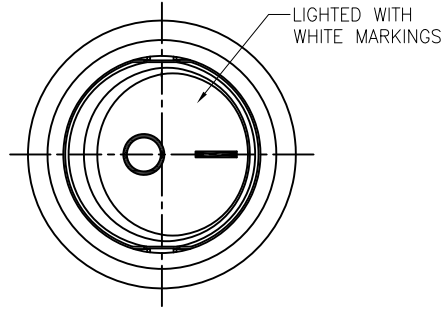


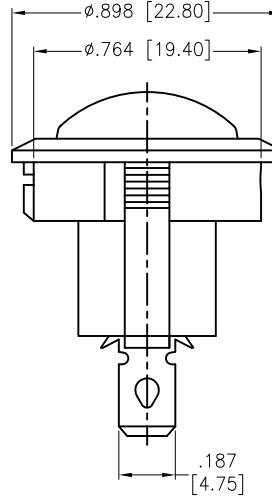
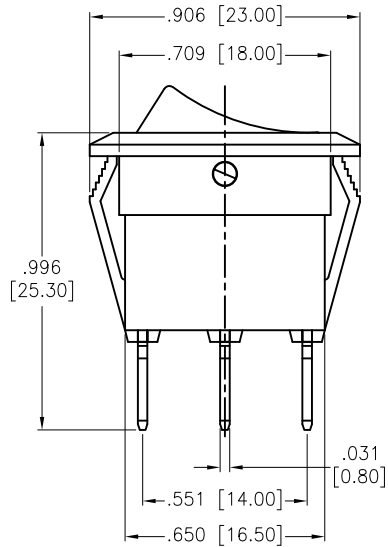
APPROVED: _____

DATE: _____ TITLE: _____

Rev	AWO #	Description	Date	Appr
-		RELEASED	11/18/21	
A		UPDATE SPEC.	5/27/22	WX/MC



CIRCUIT DIAGRAM
(SPST) ON-OFF



SW-R2-1A-F-LXXX-8

	Lighted Actuator	Actuator Markings	LED Voltage	
W	Lighted White	1	1	3V
R	Lighted Red	2	2	6V
G	Lighted Green	3	3	12V
Y	Lighted Yellow (Amber)	4	4	24V
B	Lighted Blue	5	5	48V
O	Lighted Orange	6	6	110V
		7	7	220V

SPECIFICATIONS:

Body: Nylon 66, Color Black, Rated UL 94V-0

Terminal: Brass, Silver plated

LED Terminal: Bare copper

Button: Nylon 66, Lighted color (See Chart). White color markings

Electrical:

The rated load: 250V AC, 6A

125V AC, 10A

DC rating specifications 20A, 12V DC

Contact resistance: 50 mohms max

Insulation resistance: 100 Mohms min

Dielectric withstanding voltage: 1500 VAC/5S min

Mechanical:

Electrical life: 10000 Cycles min

Temperature Rating:

Operating temperature: -25°C to +85°C

Environmental:

Lead free, RoHS compliant



Replace "x" in P/N with the corresponding switch color and marking

UNLESS OTHERWISE SPECIFIED ALL DIMENSIONS ARE INCHES [MM]. TOLERANCES: EXCEPT AS NOTED

INCHES		HOLES	
.x	± .10	∅x	± .10
.xx	± .020	∅xx	± .015
.xxx	± .015	∅xxx	± .010



909 Rahway Avenue,
Union, NJ 07083
Phone: 908-687-5000
Fax: 908-687-5710

DRAWN	JJ	11/18/21
CHECKED	RC	11/18/21
APPROVED		

TITLE	SWITCH, MINIATURE ROCKER SPST, ON-OFF, QC .187 [4.75MM], LIGHTED		
SIZE	PART NO.	REV.	
X	SW-R2-1A-F-LXXX-8	-	

THIS DRAWING CONTAINS INFORMATION THAT IS PROPRIETARY AND SHOULD NOT BE USED WITHOUT PRIOR WRITTEN PERMISSION FROM ADAM TECH

REF:	S00206C	SCALE:	NTS	SHEET	1 OF 1
------	---------	--------	-----	-------	--------