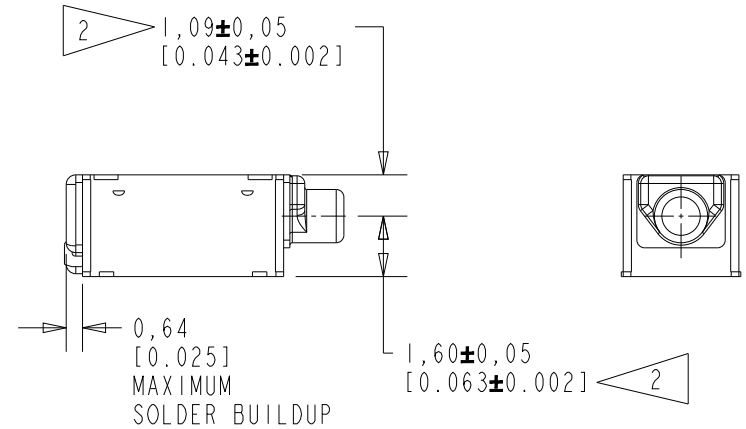
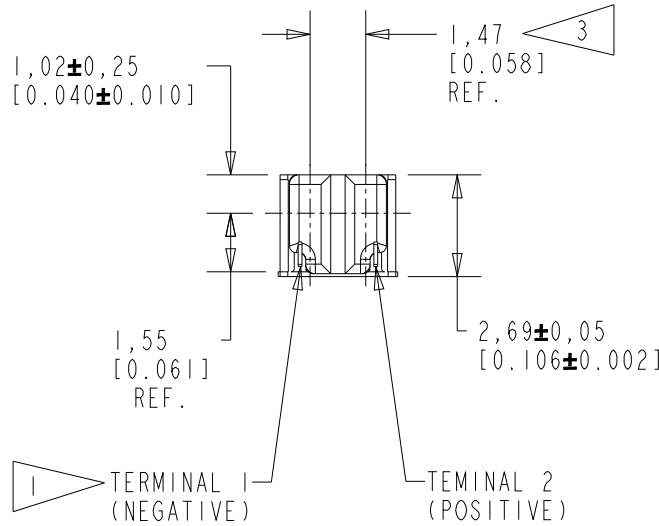
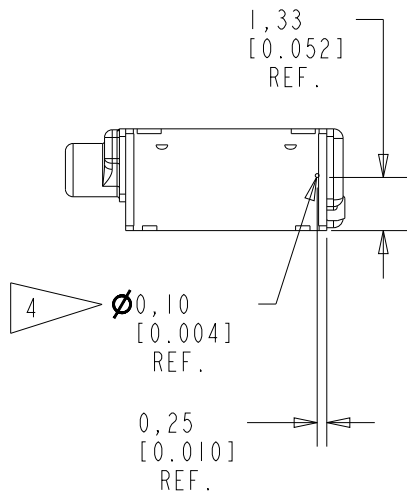
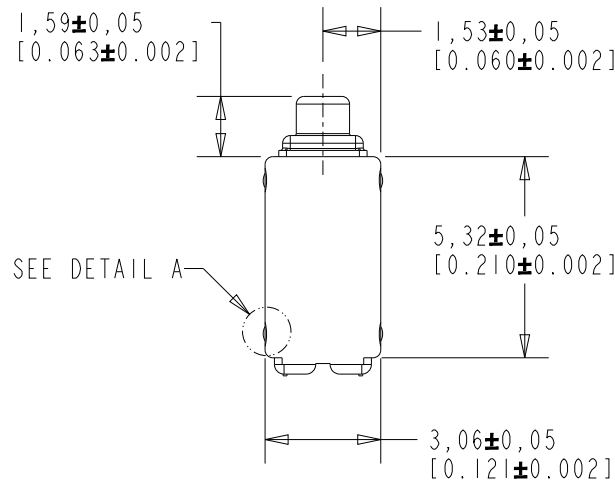
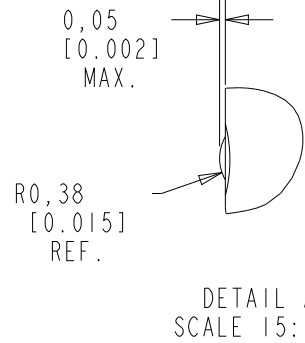


NOTES:

- 1 A POSITIVE GOING VOLTAGE AT TERMINAL 2, RELATIVE TO TERMINAL 1, CAUSES A DECREASE IN PRESSURE AT THE SOUND OUTLET.
- 2 LOCATED FROM TWO SURFACES FOR CUSTOMER CONVENIENCE. ONLY APPLICABLE ONE SURFACE, NOT TO BE USED TOGETHER.
- 3 DIMENSION TO APPROXIMATE CENTER OF TERMINAL PAD.
- 4 IT IS IMPORTANT TO KEEP VENT HOLE CLEAR AT ALL TIMES. CLOGGING OF HOLE WILL CAUSE PERFORMANCE CHANGES.



SCALE 3:2

DIMENSIONS IN MILLIMETERS [INCHES]



REVISION	ECR NO.	IMP. DATE	SCALE	DR. BY	DATE
			6:1	JDB	2-27-20
				CH. BY	DATE
				APP. BY	DATE
RELEASE LEVEL		REVISION	DO NOT SCALE DRAWING		
Design		1	DIMENSIONS IN MILLIMETERS [INCHES]		
TITLE:			RECEIVER		RAQ-33985-B148
			OUTLINE DRAWING		SHEET 1.1

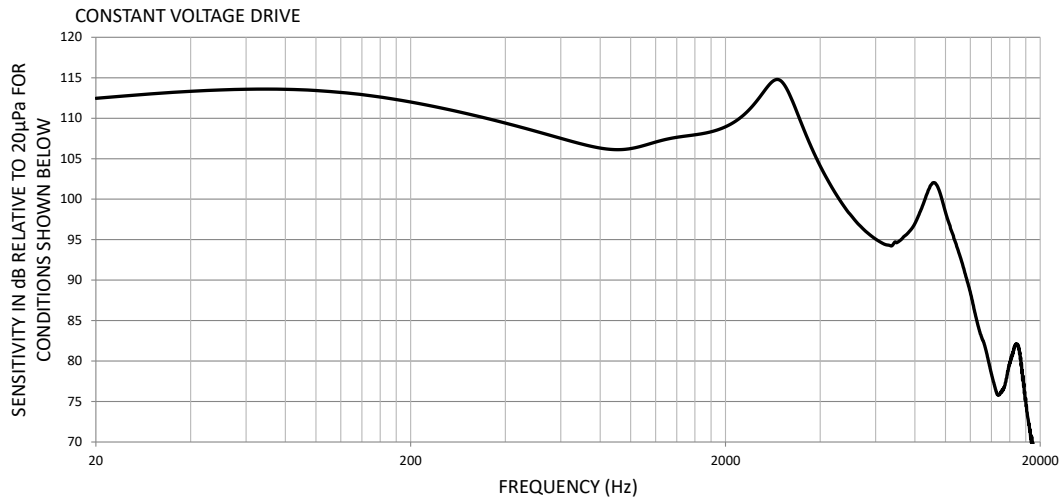
THIS IS AN UNDAMPED MAGNETIC BALANCED ARMATURE RECEIVER INTENDED FOR USE IN EARPHONE APPLICATIONS.

NO DAMPING

RAQ-33985-B148

Sht 2.1

RoHS Compliant



ACOUSTICAL

SENSITIVITY: DEVICE WILL PRODUCE THE SPL LISTED BELOW WITH THE TEST CONDITIONS DESCRIBED IN TABLE 3. NOMINAL SENSITIVITY AT 1000 Hz IS dB RELEVATE TO 20 µPa. ALL OTHER VALUES IN dB RELATIVE TO THE SENSITIVITY AT 1000 Hz.

LIMIT TYPE	FREQUENCY (Hz)	MINIMUM	NOMINAL	MAXIMUM
REL	20	0.0	4.0	8.0
REL	100	3.0	7.0	11.0
REL	200	2.0	5.0	8.0
REL	500	-0.5	1.5	3.5
REF	1000	-2.0	106.2	+2.0
PEAK 1	2620-3220	6.5	9.5	12.5
VALLEY	5930-7530	+15		
PEAK2	8000-11000	-12.0	-7.0	-2.0

TABLE 1

TOTAL HARMONIC DISTORTION: DEVICE WILL NOT EXCEED TOTAL HARMONIC DISTORTION LEVELS LISTED BELOW:

FREQUENCY (Hz)	AC DRIVE (Vrms)	BIAS	LIMIT (%)
50	0.115	0	5
0.333*PEAK1	0.115	0	5
0.5*PEAK1	0.115	0	5
0.333*PEAK1	0.324	0	10
0.5*PEAK1	0.324	0	10

TABLE 2

TEST CONDITIONS

NOMINAL SOURCE VOLTAGE	0.115 Vrms
SOURCE IMPEDANCE	<1 Ohm
TUBING	0 mm, excluding receiver tubing
COUPLER CAVITY	IEC60318-4 (GRAS RA0402)

TABLE 3

ELECTRICAL

DC RESISTANCE @ 20°C	22.5 Ohms ± 15%
IMPEDANCE @ 500 Hz	31.5 Ohms ± 20%
IMPEDANCE @ 1 kHz	49.5 Ohms ± 20%

ISOLATION: CASE WILL BE ELECTRICALLY ISOLATED FROM COIL CIRCUIT.

MECHANICAL

PORT LOCATION: 12S
SOLDER TYPE: RoHS COMPLIANT, SAC 305

TEMPERATURE

OPERATING: SENSITIVITY WILL NOT VARY MORE THAN +3/-3 dB FROM -17°C TO +63°C.
STORAGE: -40°C TO +63°C

Knowles reserves the right to make changes to improve reliability and performance of the product.

TENTATIVE

Specifications for laboratory produced samples.

Knowles Corporation

Revision	C.O. #	Implementation Date	Release level	Revision
			Design	1
When test limits are used to establish incoming inspection acceptance/rejection criteria, correlation of test equipment with Knowles is also required for elimination of equipment and test method variation.			Dr by	Date
Receiver Performance Specification			Ck by	Date
			RAQ-33985-B148	
			App by	Date
			Sht 2.1	

This document contains confidential, proprietary, trade secret information of Knowles Electronics, LLC or its affiliated entities. Any unauthorized use or dissemination is strictly prohibited.