

REFERENCE SPECIFICATIONS

-NFC 93425 (in compliance with HE 501)

PHYSICAL CHARACTERISTICS

-INSULATOR MATERIAL: THERMOPLASTIC UL94V0
 -CONTACT MATERIAL: PHOSPHOR BRONZE
 GOLD OVER NICKEL

-ACCESSORIES: BRASS ,cadmium plated yellow passivation
 -SHELLS: STEEL ,cadmium plated yellow passivation

ELECTRICAL CHARACTERISTICS

-NOMINAL CURRENT: 7.5A
 -CONTACT RESISTANCE: <= 7.3 m ohms
 -CONTACT/CONTACT : >=1000 V
 -CONTACT/GROUND : >=1200 V
 -INSULATION RESISTANCE: >=5000 MOhms

ENVIRONMENTAL CHARACTERISTICS

- CLIMATIC CATEGORY: 55/125/56
 TEMPERATURE RANGE -55°C TO +125°C
 DAMP HEAT STEADY STATE 56 DAYS
 SALT SPRAY 48 HOURS

MECHANICAL CHARACTERISTICS

- RETENTION AGAINST TORQUE: - Threaded insert: 0.7 N.m minimum
 - Female screw : 0.5 N.m minimum

DBML25S300

Series

Shell size: **E A B C D**
 see sheet 2

Front accessory definition
 see sheet 2

- Blank** : without accessory
- F** : floating mounting
- L** : threaded insert M3
- O** : threaded insert UNC 4-40
- V** : female screw UNC 4-40
- S** : spacer

Contact number (see sheet 2)
9,15,25,37,50

Contacts

S : Socket

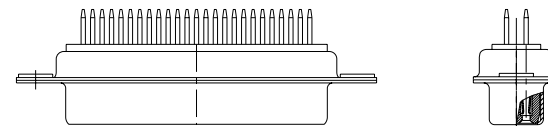
Termination type

3 : Straight version

Plating

00 : 500 matings/unmatings

43 : 500 matings/unmatings for harsh environment



25 WAY for Example

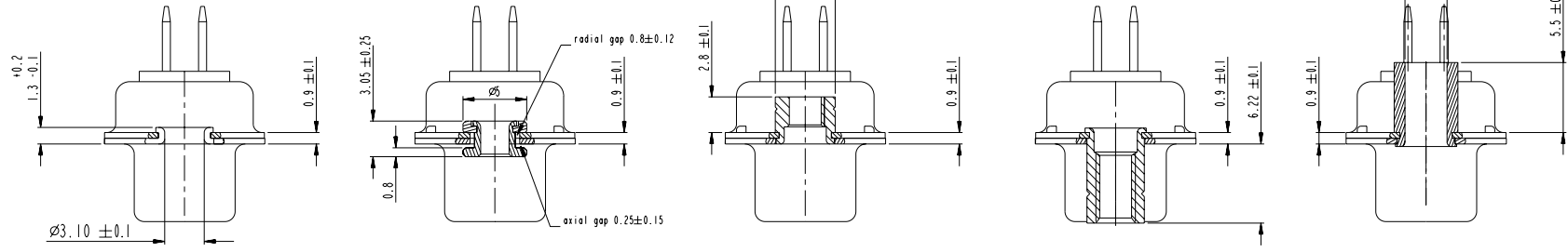
rev	ecn no	dr	date
A	LS06-0174	MPE	2006/11/06
B	LS07-0273	MPE	2007/10/30
-	-	-	-
-	-	-	-
-	-	-	-
-	-	-	-

www.fciconnect.com		surface	tolerance std	projection	mm	
		ISO 1302	ISO 406 ISO 1101	⊕	← →	
		TOLERANCES UNLESS OTHERWISE SPECIFIED				
Dr	M PESSON	2006/11/06	ANGULAR	0.X	±0.3	size A2 Scale 2:1
Eng	P LEGARE	2006/11/06	LINEAR	0.xx	±0.1	
Chr	P LEGARE	2006/11/06	0° ±2°	0.xxx	±0.05	ECN LS07-0273
Appr	P LEGARE	2006/11/06	Product family	- Spec.ref		
		SUB FEMALE DM HE501 series		ang no	C01-8637-1734	Rev. B
		with straight solder contact		catalog no	CUSTOMER	sheet 1 of 4

1 2 3 4 5 6 7 8

A
B
C
D
E
F

A
B
C
D
E
F



FRONT ACCESSORY **Blank** without **F** floating mounting **L** insert M3 **O** insert UNC 4.40 **V** female screw UNC 4.40 **S** spacer

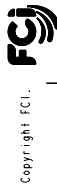
PART NUMBER	FRONT ACCESSORY
D*MxxS300	without
D*MFxxS300	floating mounting
D*MLxxS300	insert M3
D*MOxxS300	insert UNC 4.40
D*MVxxS300	female screw UNC 4.40
D*MSxxS300	spacer

shell size	Contact number
E	09
A	15
B	25
C	37
D	50

PART NUMBER	FRONT ACCESSORY
D*MxxS343	without
D*MFxxS343	floating mounting
D*MLxxS343	insert M3
D*MOxxS343	insert UNC 4.40
D*MVxxS343	female screw UNC 4.40
D*MSxxS343	spacer

CROSS REFERENCES HE501 and FCI

HE501 P/N	FCI P/N	FRONT ACCESSORY
HE501NxxYS4	D*MxxS300	without
HE501FxxYS4	D*MFxxS300	floating mounting



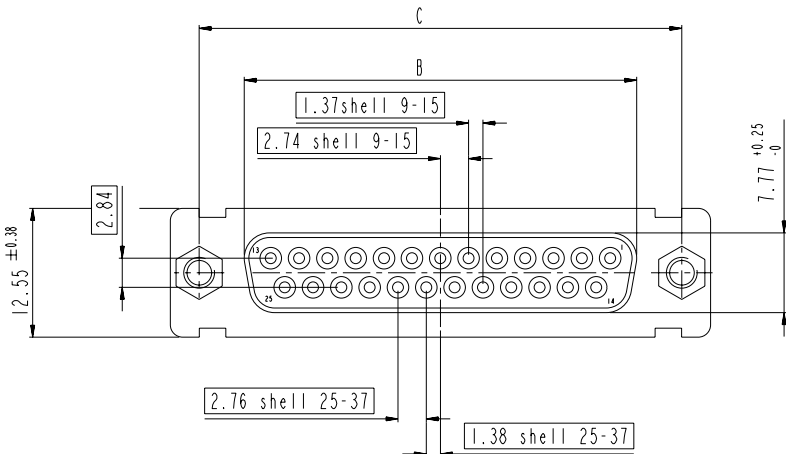
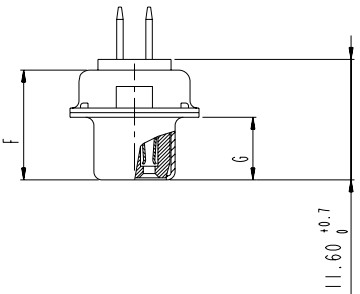
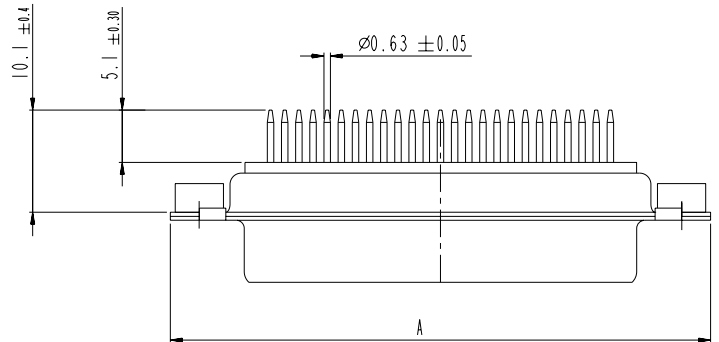
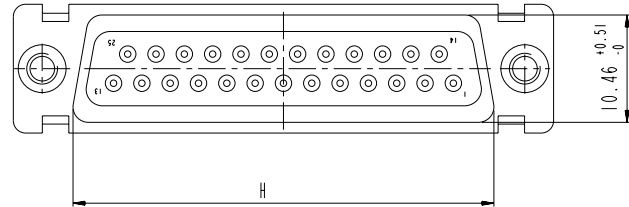
SCALE: 4

www.fciconnect.com		surface ISO 1302	tolerance std ISO 406 ISO 1101	projection mm
		TOLERANCES UNLESS OTHERWISE SPECIFIED		
Dr	M PESSON	2006/11/06	ANGULAR	0.X ±0.3
Eng	P LEGARE	2006/11/06	LINEAR	0.XX ±0.1
Chr	P LEGARE	2006/11/06	0° ±2°	0.XXX ±0.05
Appr	P LEGARE	2006/11/06	Product family	size A2 Scale 2:1
				ECN LS07-0273
				Spec ref
FCI		SUB FEMALE DM HE501 series		ang no C01-8637-1734
		with straight solder contact		Rev. B
catalog no		CUSTOMER		sheet 2 of 4

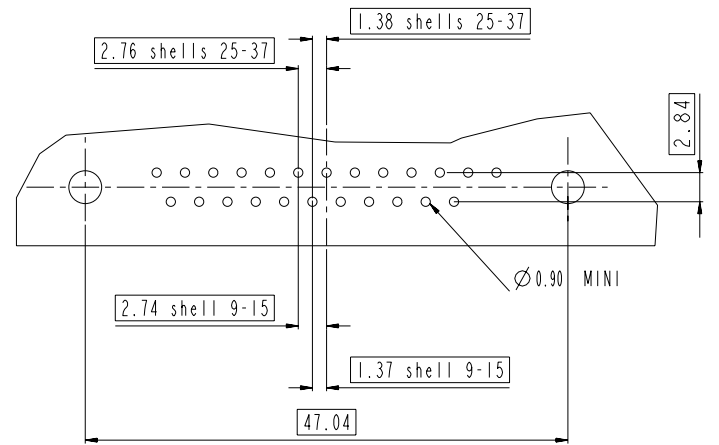
DIMENSIONS FOR SHELL E, A, B, C

Dimensions are in millimeters

Shell size	Number of contacts	A ^{+0.76} ₋₀	B ^{+0.25} ₋₀	C ± 0.12	F ^{+0.57} ₋₀	G ^{+0.25} ₋₀	H ^{+0.51} ₋₀
E	09	30.43	16.21	24.99	10.64	6.05	19.02
A	15	38.76	24.54	33.32	10.64	6.05	27.25
B	25	52.65	38.25	47.04	10.64	6.05	41.02
C	37	68.94	54.71	63.50	10.64	6.05	57.45



LAYOUT AND CONNECTOR DIMENSIONS

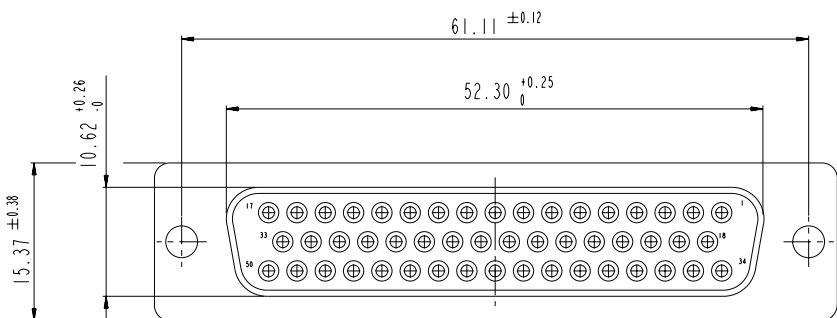
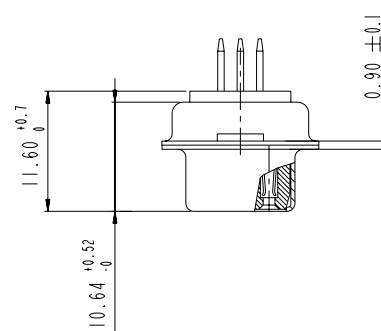
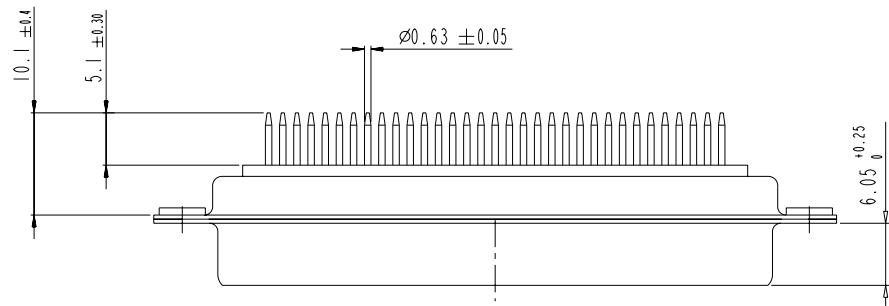
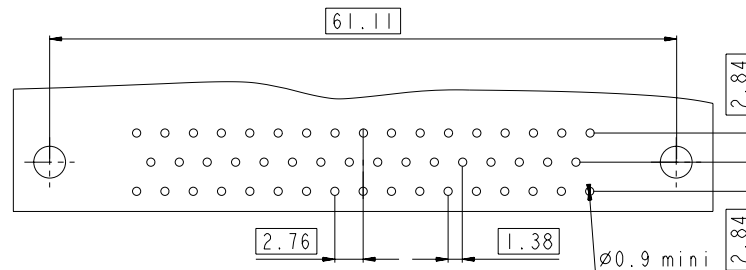
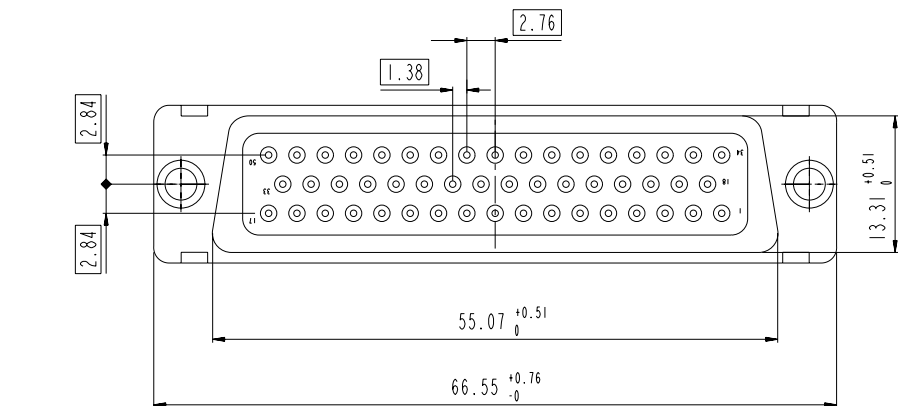


Copyright FCI

www.fciconnect.com		surface ISO 1302	tolerance std ISO 406 ISO 1101	projection mm
		TOLERANCES UNLESS OTHERWISE SPECIFIED		
Dr M PESSON	2006/11/06	ANGULAR	0.X ±0.3	size A2 Scale 2:1
Eng P LEGARE	2006/11/06	LINEAR	0.XX ±0.1	ECN LS07-0273
Chr P LEGARE	2006/11/06	Ø ±2°	0.XXX ±0.05	
Appr P LEGARE	2006/11/06	Product family	-	Spec ref
FCI SUB FEMALE DM HE501 series		ang no	C01-8637-1734	
with straight solder contact		customer	sheet 3 of 4	
catalog no				

DIMENSIONS FOR SHELL SIZE D (50 CONTACTS)

LAYOUT AND CONNECTOR DIMENSIONS



Copyright FCI.

www.fciconnect.com		surface ISO 1302	tolerance std ISO 406 ISO 1101	projection mm
		TOLERANCES UNLESS OTHERWISE SPECIFIED		
Dr M PESSON	2006/11/06	ANGULAR	0.X ±0.3	size A2 Scale 2:1
Eng P LEGARE	2006/11/06	LINEAR	0.XX ±0.1	ECN LS07-0273
Chr P LEGARE	2006/11/06	0° ±2°	0.XXX ±0.05	
Appr P LEGARE	2006/11/06	Product family		Spec ref
FCI SUB FEMALE DM HE501 series		ang no	C01-8637-1734	
with straight solder contact		Rev.	B	
catalog no		CUSTOMER	sheet 4 of 4	