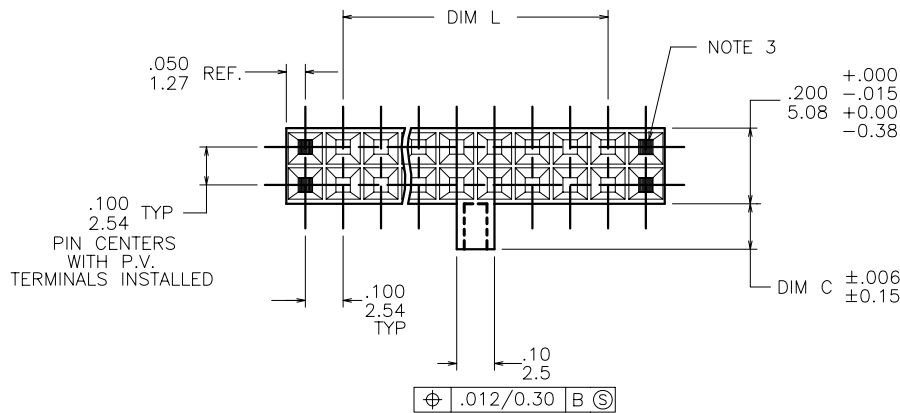
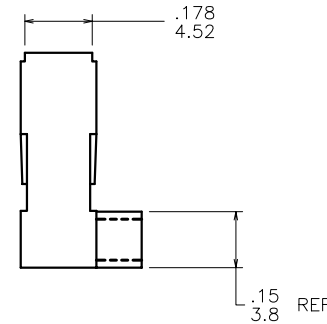
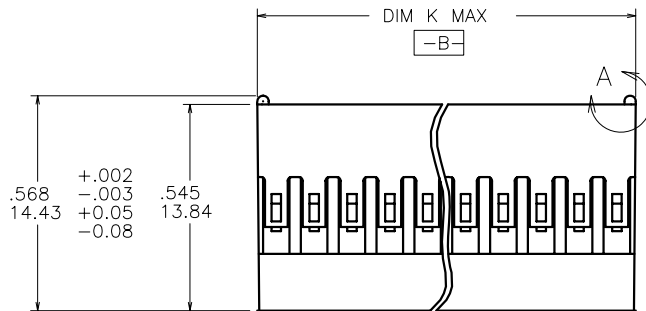


PRODUCT NO.

SEE TABLE



NOTES

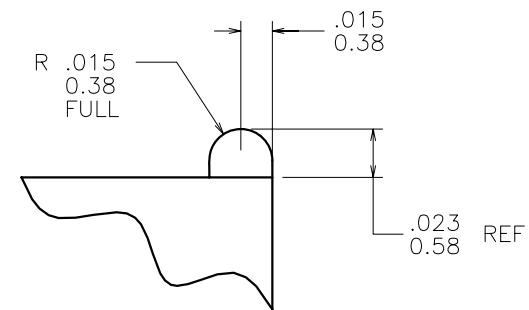
1. MOLDING MATERIAL: MODIFIED POLYPHENYLENE ETHER, FLAME RETARDANT PER UL-94V-0, COLOR: BLACK.
2. PIN LENGTH TO BE .210/5.33 MIN. RECOMMENDED PIN LENGTH IS .225±.015/5.72±0.38.
3. TWO END CAVITIES ON EACH END OF HOUSING ARE MOLDED CLOSED.
4. FOR TERMINAL APPLICATION SEE TA-531. PRODUCT SPECIFICATION: BUS-12-067.
5. PRODUCT MEETS EUROPEAN UNION DIRECTIVES AND OTHER COUNTRY REGULATIONS AS DESCRIBED IN GS-22-008.
6. THIS PRODUCT IS NOT INTENDED TO BE EXPOSED TO MANUFACTURING SOLDER PROCESSES.



Copyright FCI

mat'l. code		surface		tolerance		projection		product family	
SEE NOTE 1		✓				⊕		PV HOUSINGS	
ltr	ec'n no	dr	date	tolerances unless otherwise specified		INCH/MM		title	
H	v07-0534	HTB	2007-08-22	angles	linear			MINI LATCH HOUSING DR	
C	v50128	GAH	1995-04-18	0°±2'	linear	scale 2.5:1		POLARIZED WITH LATCH FEATURE	
D	v90979	RGD	1999-06-21	dr	D. SHEAFFER	1990-02-23		dwg no	
E	v03-1363	PJ	2004-02-21	engr	C. TREXLER	1990-02-23		sheet 1 of 2 size	
F	v05-0718	TAB	2005-07-29	chr	C. TREXLER	1991-10-14		88237 A3	
G	v06-0447	HTB	2006-05-17	appd	C. TREXLER	1991-10-14		type Product Customer Drawing	
sheet	revision	H	H						
index	sheet	1	2						

PRODUCT NUMBER	NO.OF USABLE POS.	DIM K	DIM L	DIM C
88237-010LF	2 X 5	.680/17.28	.400/10.16	.067/1.70
88237-014LF	2 X 7	.880/22.35	.600/15.24	.067/1.70
88237-016LF	2 X 8	.980/24.89	.700/17.78	.067/1.70
88237-020LF	2 X 10	1.180/29.97	.900/22.86	.067/1.70
88237-024LF	2 X 12	1.380/35.05	1.100/27.94	.067/1.70
88237-026LF	2 X 13	1.480/37.59	1.200/30.48	.067/1.70
88237-030LF	2 X 15	1.680/42.67	1.400/35.56	.067/1.70
88237-034LF	2 X 17	1.880/47.75	1.600/40.64	.067/1.70
88237-040LF	2 X 20	2.180/55.38	1.900/48.26	.067/1.70
88237-044LF	2 X 22	2.380/60.45	2.100/53.34	.067/1.70
88237-050LF	2 X 25	2.680/68.08	2.400/60.96	.067/1.70
88237-060LF	2 X 30	3.180/80.77	2.900/73.66	.067/1.70



DETAIL A
SCALE: 5/1



Copyright FCJ

mat'l. code SEE NOTE 1				surface <input checked="" type="checkbox"/>		tolerance		projection <input checked="" type="checkbox"/>		product family PV HOUSINGS	
ltr	ecn no	dr	date	tolerances unless otherwise specified				title		MINI LATCH HOUSING DR POLARIZED WITH LATCH FEATURE	
H				angles	linear	.XX+01/XX+3 XXX+005/XXX+13 XXXX+0020/XXX+051		INCH/MM		scale 2.5:1	
				0'±2'				FCJ		dwg no 88237	
				dr	D. SHEAFFER	1990-02-23				sheet 2 of 2 size A3	
				engr	C. TREXLER	1990-02-23				type Product Customer Drawing	
				chr	C. TREXLER	1991-10-14					
				appd	C. TREXLER	1991-10-14					
sheet index	revision										
	sheet										