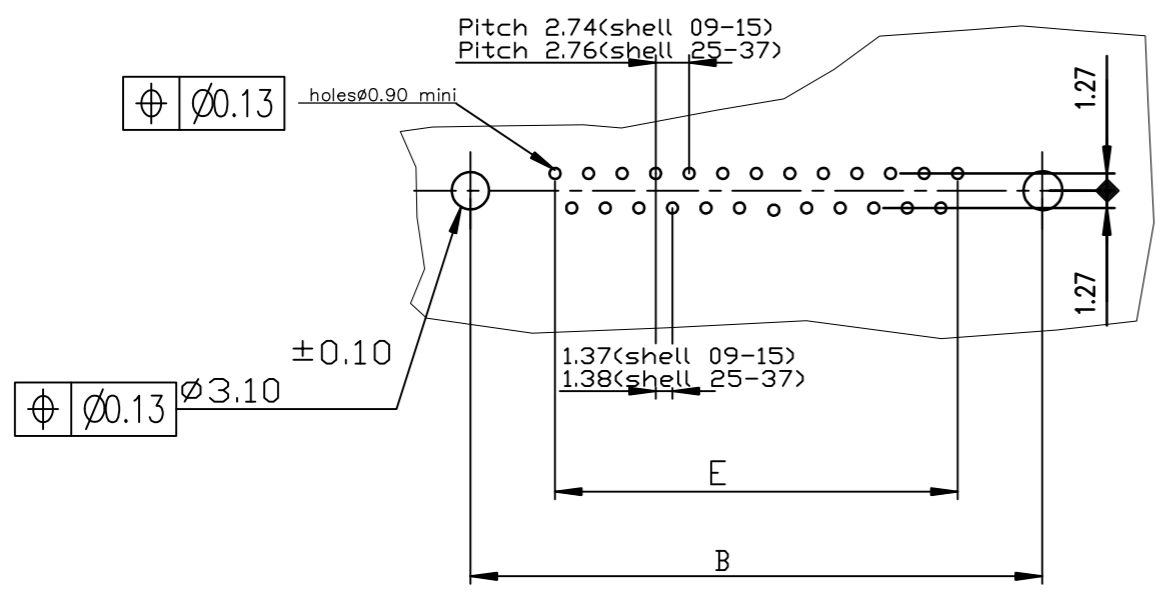


PC card drilling dimensions(after plating)
(thickness 1.60±0.20mm)



SHELL	A±0.38	B±0.12	C±0.10	D±0.25	E±0.07	G±0.25	PART NUMBER
09	30.81	24.99	16.96	16.79	10.96	5.90	D09P13A*PA00**
15	39.14	33.32	25.18	25.12	19.18	5.90	D15P13A*PA00**
25	53.03	47.04	39.12	38.84	33.12	5.70	D25P13A*PA00**
37	69.32	63.50	55.68	55.30	49.68	5.70	D37P13A*PA00**

4-200 Mating cycles
6-500 Mating cycles

LF FOR LEAD FREE

FOR ROHS DETAILS REFER DWG.NO: C01-8646-0000

mat'l. code		surface		tolerance		projection		product family	
SEE NOTES		ISO 1302		ISO 406		ISO 101		D-SUB	
ltr	ecn no	dr	date	tolerances unless otherwise specified					
H	ELX-I-39288	GM	11-12-2020						
angles		linear		.0±.0.3		mm		title	
0°±1'				.00±.0.1				DELTA-D RIGHT ANGLE PIN CONNECTOR	
				.000±.005		scale NTS		WITHOUT ACCESSORY	
dr		GREGAR M		09-12-2020		Amphenol FCI		dwg no	
enr		GREGAR M		11-12-2020				sheet 1 of 1	
chr		SREERAJ K R		11-12-2020				size	
app		SANOJ P K		11-12-2020				A3	
sheet index		revision sheet		H 1				type	
								Product Customer Drawing	