

1	2	3	4	5	6	7	8	9	10	11	12	13	14	15	16	17	18	19	20	21	22	23	24	25	26	27	28	29	30	31	32		
A	✓	✓	✓	✓	✓	✓	✓	✓	✓	✓	✓	✓	✓	✓	✓	✓	✓	✓	✓	✓	✓	✓	✓	✓	✓	✓	✓	✓	✓	✓	✓	✓	✓
B	✓	✓	✓	✓	✓	✓	✓	✓	✓	✓	✓	✓	✓	✓	✓	✓	✓	✓	✓	✓	✓	✓	✓	✓	✓	✓	✓	✓	✓	✓	✓	✓	✓
C	✓	✓	✓	✓	✓	✓	✓	✓	✓	✓	✓	✓	✓	✓	✓	✓	✓	✓	✓	✓	✓	✓	✓	✓	✓	✓	✓	✓	✓	✓	✓	✓	✓

X	Standard Contact	✓	FMLB Contact	*	LMEB Contact		Empty Cavity
---	------------------	---	--------------	---	--------------	--	--------------

TECHNICAL SPECIFICATION

HOUSING MATERIAL : THERMOPLASTIC POLYESTER UL94V0; GREY  
 HOUSING CAN WITHSTAND EXPOSURE TO LEAD FREE WAVE SOLDERING TEMPERATURE OF 260-265°C WHEN USED WITH PROTECTIVE ADHESIVE OR PROTECTIVE METALLIC DEVICE FOR ANGLE CONNECTORS AS IT IS USED IN CLASSICAL LEAD WAVE SOLDERING AT 235-250°C.  
 CONTACT & HARPOON MATERIAL : COPPER ALLOY  
 CONTACT ACTIVE ZONE PLATING : Au OVER Ni (or) Au+Pd-Ni OVER Ni  
 CONTACT TERMINATION ZONE PLATING : Sn (PURE MATT) OVER Ni  
 HARPOON PLATING : Sn (PURE MATT) OVER Ni

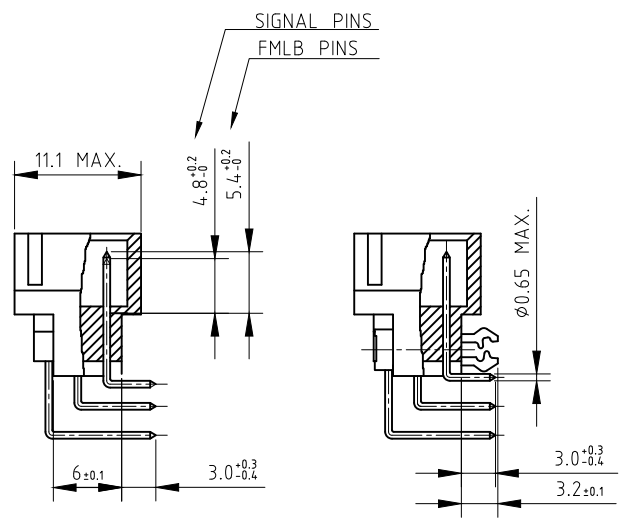
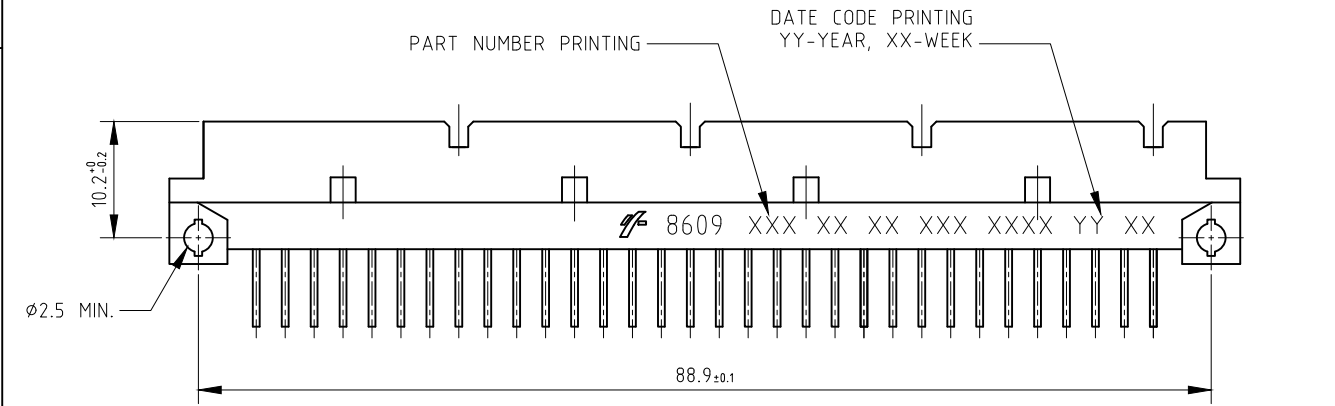
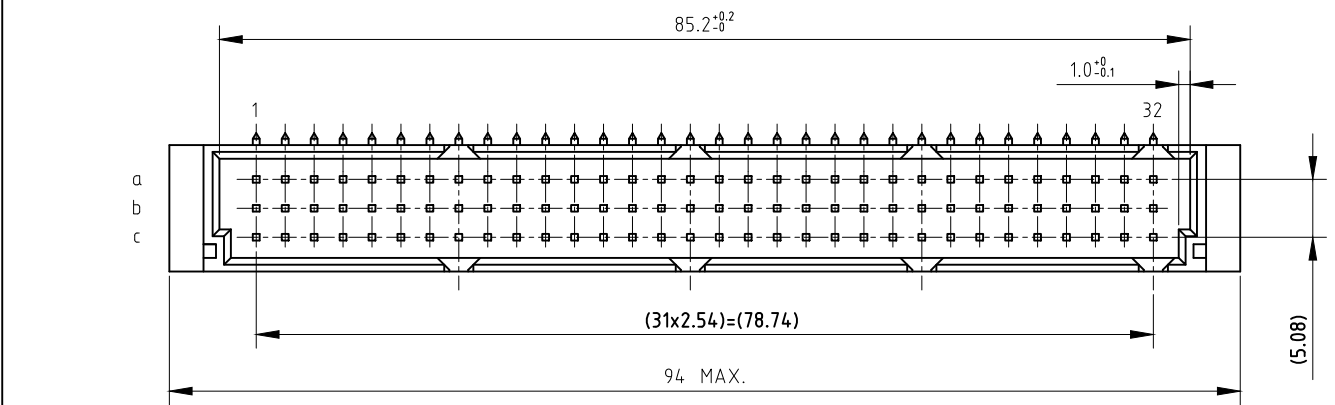
ELECTRICAL DATA

CURRENT RATING AT 20°C : 1.5 A  
 CURRENT (I MAX) : 2 A  
 TEMPERATURE RANGE : -55°C TO +125°C  
 CONTACT RESISTANCE : ≤ 20 mΩ  
 INSULATION RESISTANCE : ≥ 10 MΩ  
 TEST VOLTAGE (rms) : 1000 V

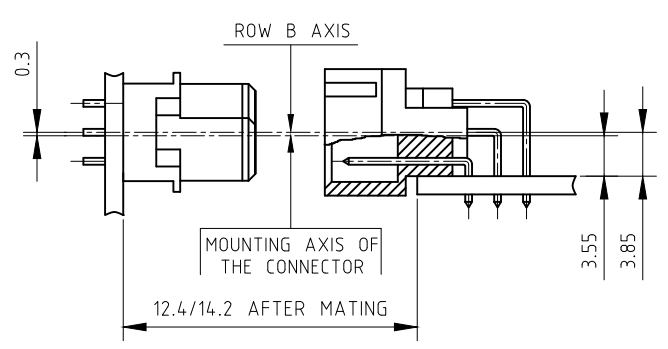
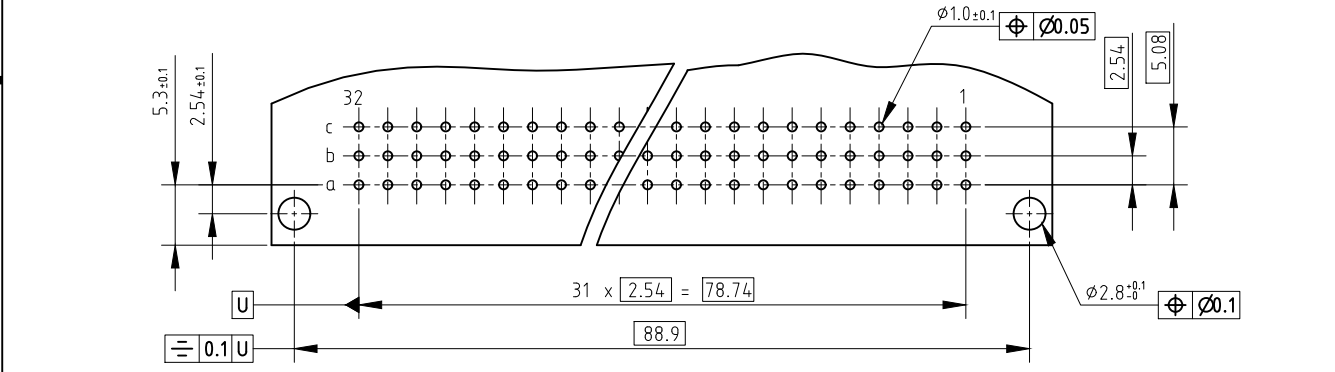
MECHANICAL DATA

INSERTION FORCE PER CONTACT : ≤ 0.94 N  
 EXTRACTION FORCE PER CONTACT : ≥ 0.15 N  
 REFERENCE SPECIFICATION : DIN 41612 (or) IEC 603-2

SERIES	8609	3	96	7	1	13	7	5	5	STLF		
ROWS FITTED WITH CONTACTS												
ROW a b c	3			96								
NO. OF CONTACTS												
TYPE OF INSULATOR												
3 ROW MALE INSULATOR										7		
METHOD OF MOUNTING												
STANDARD MOUNTING - STYLE C										1		
TERMINATION												
ANGLED SPILL										13		
OPTIONS												
NO OPTION										7		
WITH HARPOONS										H		
PERFORMANCE CLASS												
DIN 41612 CLASS 3										4		
DIN 41612 CLASS 2										5		
DIN 41612 CLASS 1										6		
AS PER MIL C 55302 / JSS 50808										8		
PITCH PER ROW												
2.54 mm										5		
SPECIAL CODE: SPECIAL LOADING LEAD FREE VERSION										STLF		



PCB DRILLING DETAILS



- NOTES:
1. THE "LF" PRODUCTS MEET EUROPEAN UNION DIRECTIVES AND OTHER COUNTRY REGULATIONS AS DESCRIBED IN GS-47-0004.
  2. THE HOUSING WILL WITHSTAND EXPOSURE TO 260°C PEAK TEMPERATURE FOR 3.5 SECONDS IN A WAVE SOLDER APPLICATION WITH A 1.6 MM MINIMUM THICK CIRCUIT BOARD.
  3. LEAD FREE OR RoHS DIRECTIVE LABELING TO BE PROVIDED AS PER GS-14-920 FOR LEAD FREE VERSION.

mat'l. code	SEE TECH. SPEC.	surface	ISO 1302 ✓	tolerance	ISO 406 ISO 1101	projection	product family	8609
ltr	ecn no	dr	date	tolerances unless otherwise specified	angles	linear	title	DIN STANDARD HEADER
A	110-0157	SAL	2010-08-05		0°±1°		ANGLED SPILL DIN 41612 STYLE-C	
B	ELX-I-41247	MJA	2021-06-17					
dr	JOHN SLEEBA	2009-01-23					dwg no	sheet 1 of 1 size
enrg	JOHN SLEEBA	2009-01-23					C-8609-2167	A3
chr	M JACOB	2021-06-17					type	Product Customer Drawing
appd	SANOJ	2021-06-17						
sheet index	revision sheet	B	1					

Amphenol FCI

Copyright AFCl