

PRODUCT NUMBER
57202-XXX-XXXXXLF

PLATING
S = 0.38µm GOLD/GXT ON CONTACT AREA
2µm MIN MATTE TIN ON TAIL
G = 0.76µm GOLD/GXT ON CONTACT AREA
2µm MIN MATTE TIN ON TAIL
F = GOLD FLASH ON CONTACT AREA
2µm MIN MATTE TIN ON TAIL
T = 2-6.0µm FULL MATTE TIN
1.27µm MIN NICKEL UNDERPLATING

RoHS COMPATIBLE
SEE NOTE 7
POLARIZATION, SEE NOTE 6
PACKAGING, SEE NOTE 5
NB OF POS PER ROW : 02 TO 25

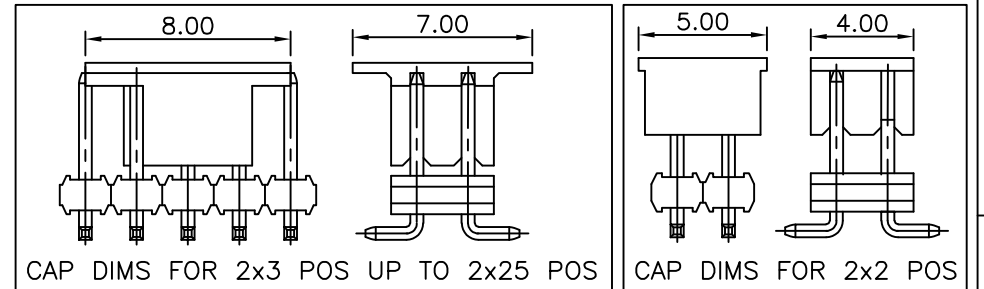
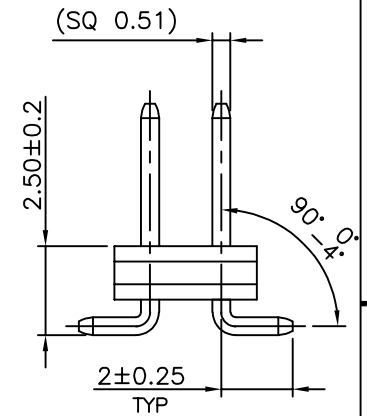
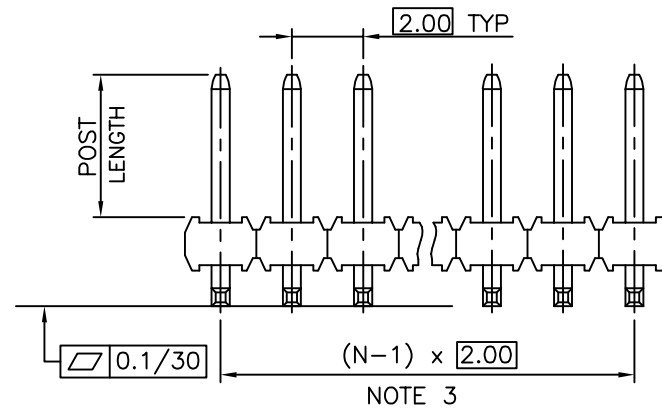
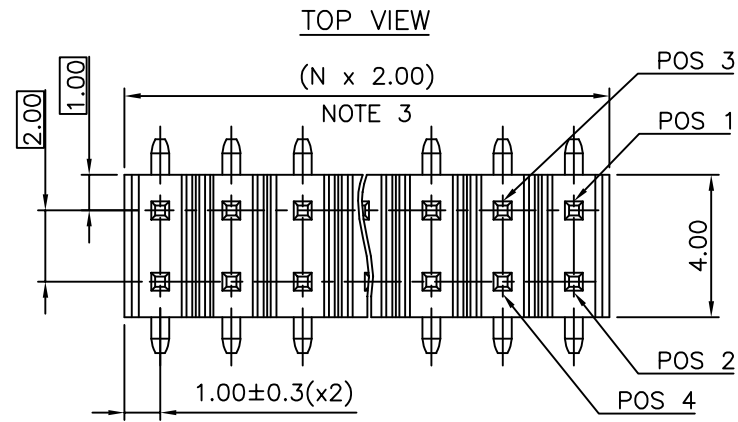
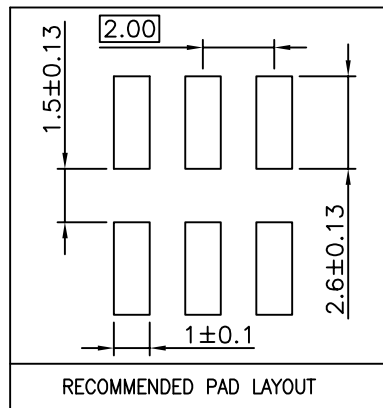
STYLE	POST LENGTH ±0.2
51	2.00
52	4.00
53	3.50
54	2.50
55	5.50

NOTES:

- MATERIAL HOUSING: HIGH TEMP. THERMOPLASTIC
UL 94V-0, COLOR BLACK
- MATERIAL TERMINAL: COPPER ALLOY
- TO DETERMINE DIMENSIONS:
N = NUMBER OF POSITIONS PER ROW.
- 7N MIN. PIN RETENTION IN EITHER DIRECTION.
- PACKAGING:
= STANDARD PACKAGING IN POLYBAGS
- = POLYBAGS PACKAGING WHEN POLARISATION FEATURE APPLICABLE.
U = TUBE AVAILABLE FROM 04 TO 25 POS PER ROW.
A = TAPE AND REEL WITH PICK UP CAP, AS AVAILABLE
K = TAPE AND REEL WITHOUT CAP, AS AVAILABLE.
- FOR POLARIZATION, SPECIFY POSITION NUMBER TO OMIT PIN.
EXAMPLE : 03 = OMIT PIN POSITION 3, SEE TOP VIEW.
OMIT FROM PRODUCT NUMBER IF THIS FEATURE IS NOT APPLICABLE.

7. RoHS COMPATIBLE PRODUCT SPECIFICATIONS

- PLATING:
- "LF" MEANS THE PRODUCT IS LEAD-FREE,
2µm MINIMUM MATTE TIN OVER 1.27µm
MINIMUM NICKEL UNDERPLATE.
- MANUFACTURING PROCESS COMPATIBILITY
- THE HOUSING WILL WITHSTAND EXPOSURE TO
260°C PEAK TEMPERATURE FOR 30 SECONDES
IN A CONVECTION, INFRA-RED OR VAPOR
PHASE REFLOW OVEN.
- LABELLING:
- MEETS PACKAGING SPECS AS PER GS-14-920
- LEGAL STATEMENT : SEE GS-47-0004



mat'l. code		surface ISO 1302 ✓		tolerance ISO 406 ISO 101		projection		product family	
ltr ecn no dr date		tolerances unless otherwise specified		.X ±0.3		mm		MINITEK	
U F-49168 DDE 23.09.01		angles linear		.XX ±0.13		scale 1:1		title	
V F-49735 DDE 23.11.10				.XXX ±0.05				UNSH HEADER	
								2.00 mm VERTICAL SMT	
P B-19797 AMA 14.12.16 dr		L.MULIN		04.05.06		FCJ		dwg no	
R B-19988 LMU 15.01.13 engr		J.COMPAGNON		0.4.11.25				sheet 1 of 1 size	
S B-20032 AMA 15.01.20 chr								57202 A3	
T F-23051 AMA 16.01.15 app		JM.C		04.11.25				type	
sheet revision								CUSTOMER Drawing	
index sheet									