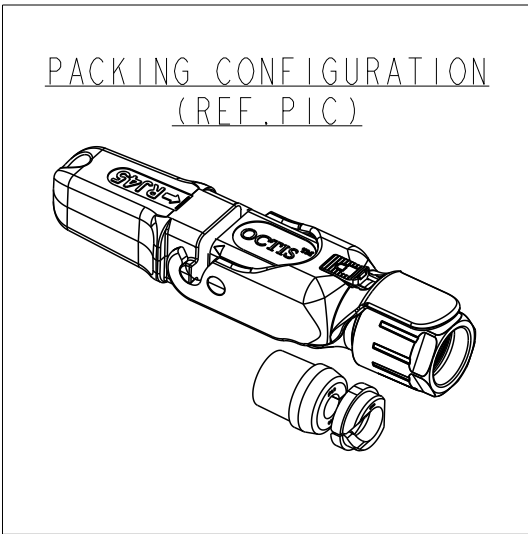
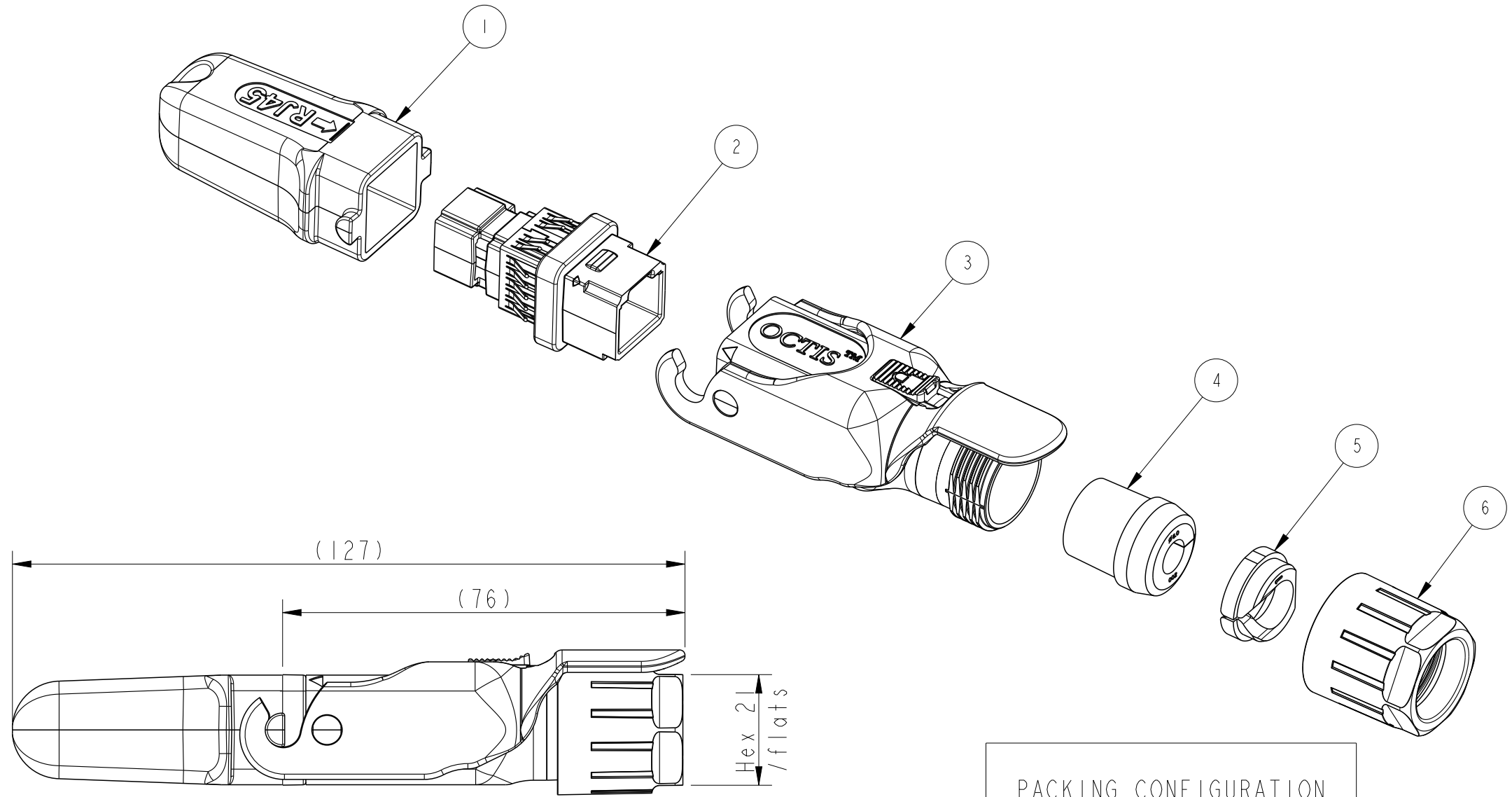
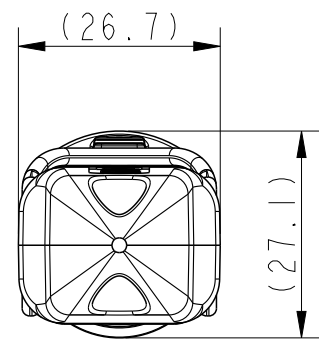


PLUG KIT PART NUMBER
SEE TABLE 2 ON PAGE 2

OCTIS PLUG KIT- RJ45 COD R FIELD TERMINABLE PITCH 26MM



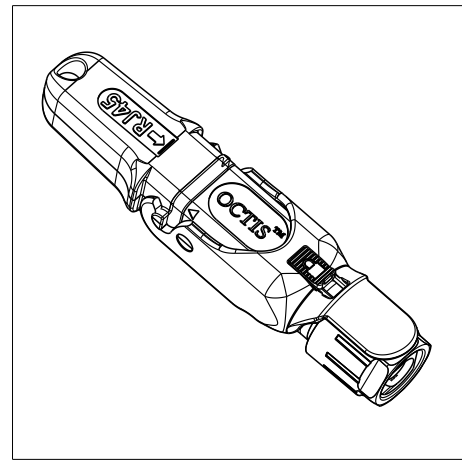
spec ref				dr	Alosius, Stali	2019/05/08	projection	mm	size	A3	scale	1:1	
tolerance std	TOLERANCES UNLESS OTHERWISE SPECIFIED			eng	Alosius, Stali	2022/06/03			ecn no		ELX-I-44900-1		
				chr	-	-			rel level		Released		
surface	linear	0.X	±0.3	appr	Kuriakose, San	2022/06/06	product family	OCTIS	dwg no		10135742	rev	S
ISO 1302	angular	0°	±2°				cat. no.	-	Product - Customer Drw		sheet 1 of 5		

SL NO.	COMPONENT	MATERIAL	REMARKS
1	PLUG CAP	PBT GF	-
2	HOLDER SUBSET KIT	ZAMAK (PASSIVATED) +SS+SILICONE	-
3	HOUSING SUBSET KIT	PBT GF	-
4	SPLIT RUBBER GLAND	SILICONE	SEE TABLE 2
5	TIGHTENING CONE	PA	SEE TABLE 2
6	GLAND NUT	PBT GF	COLOR - SEE TABLE 2

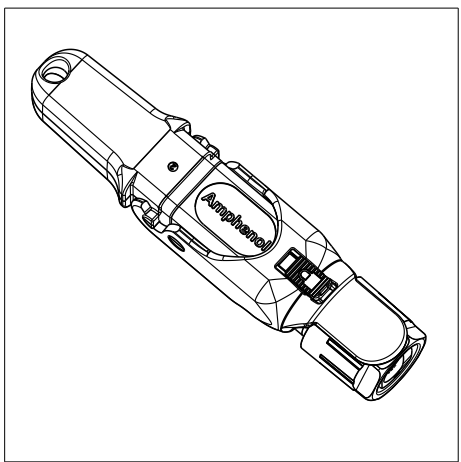
* - STANDARD RUBBER GLAND DIA OFFERED IS 7mm;
OPTIONAL RUBBER GLAND DIA OF 6,8,9,10 AND
11.5 ARE AVAILABLE ON REQUEST

LEVER ORIENTATION

PLUG KIT WITH STANDARD LEVER
(LEVER FITTED WITH "OCTIS"
MARKING ON TOP SIDE)
PART NUMBERS-10135742-101LF/
10135742-102LF/10135742-103LF
/10135742-105LF/10135742-106L
F/10135742-107LF



PLUG KIT WITH REVERSE LEVER
(LEVER FITTED WITH "Amphenol"
MARKING ON TOP SIDE)
PART NUMBER-10135742-104LF
(CUSTOMER SPECIAL)

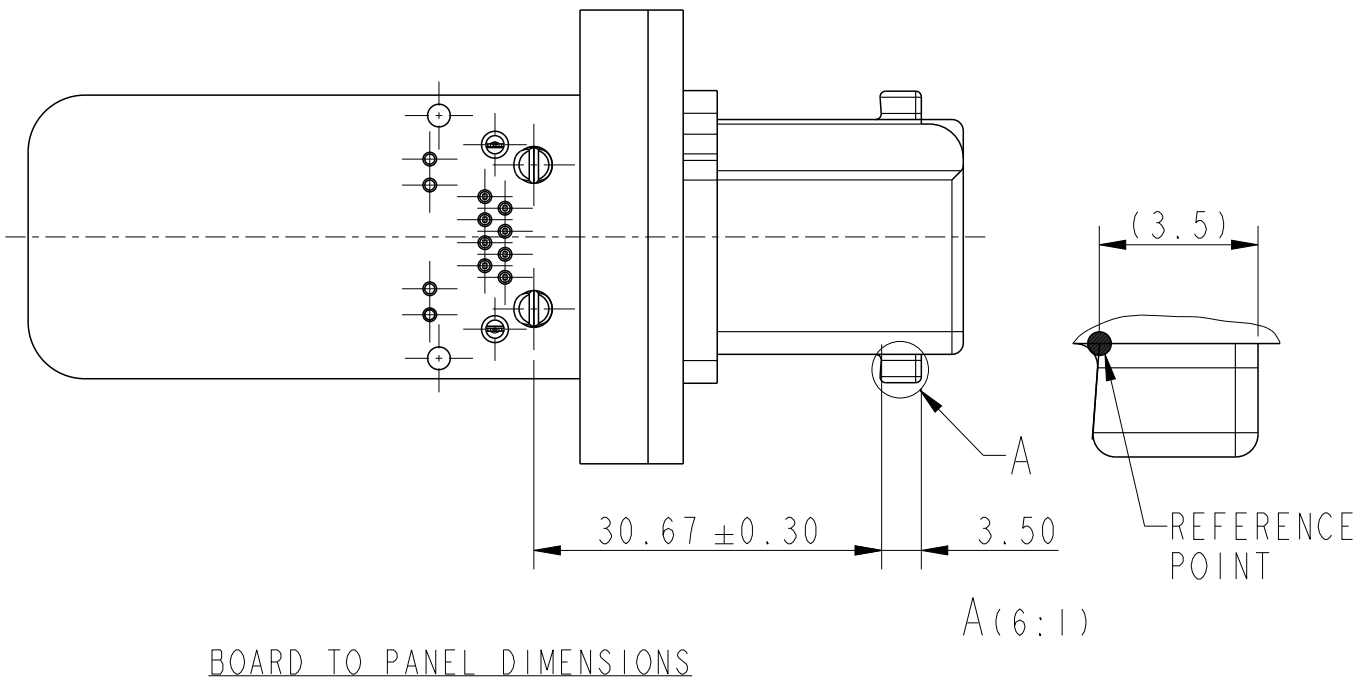
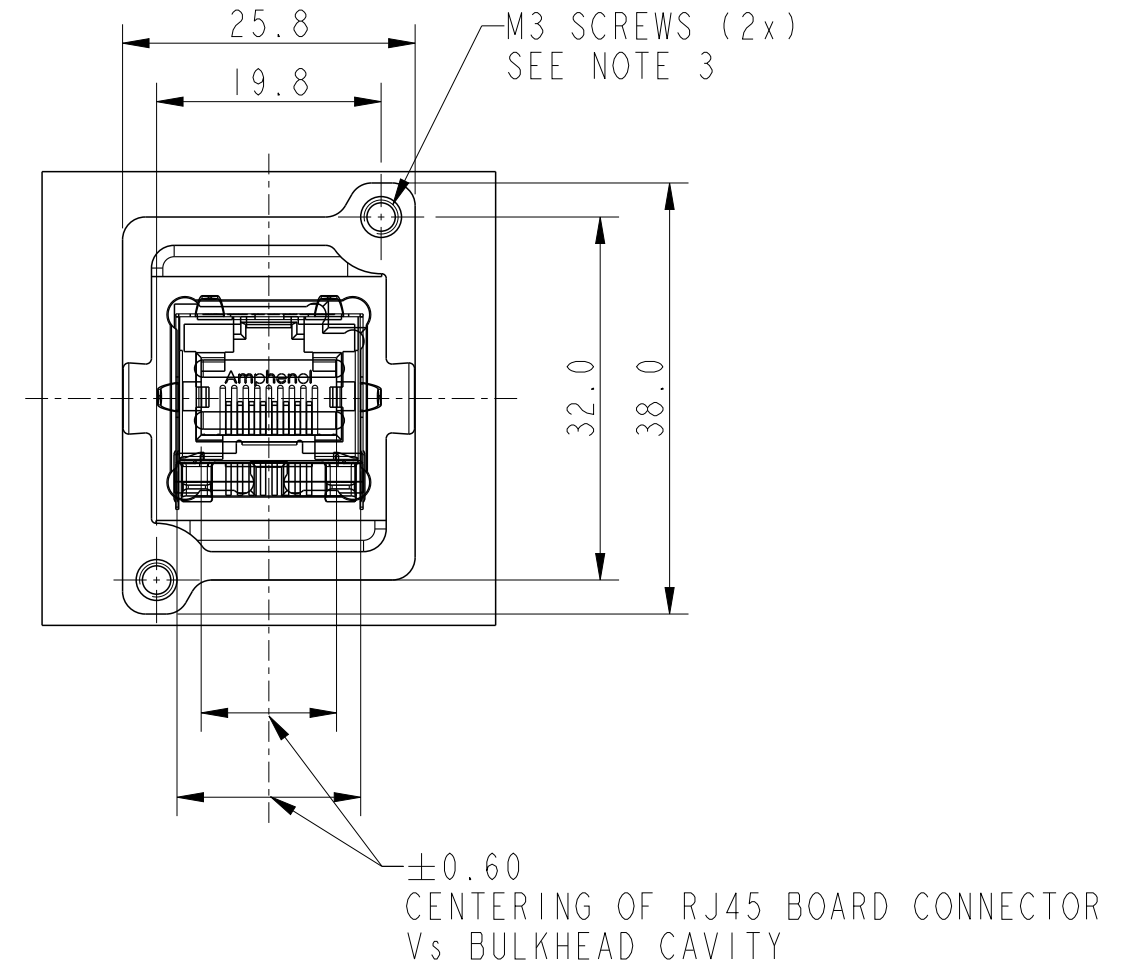
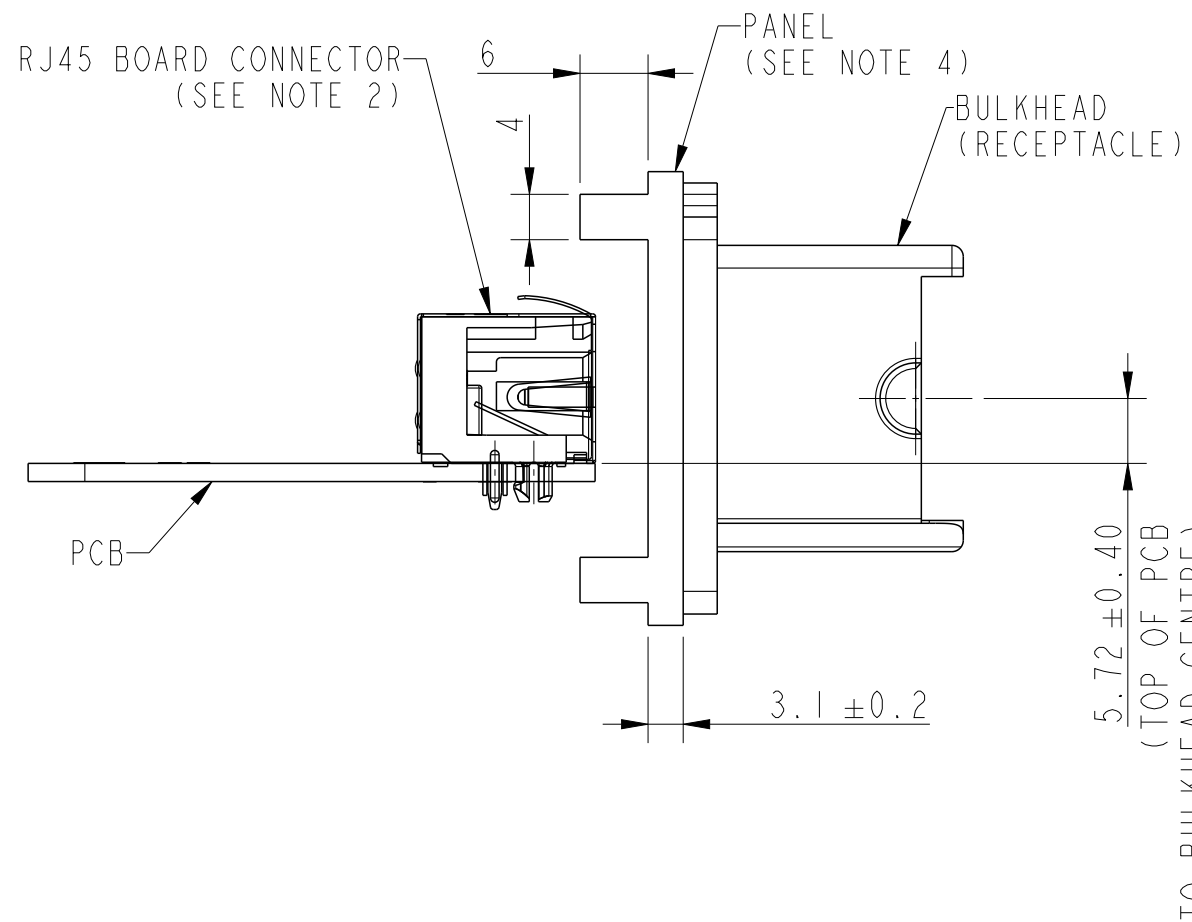


SL NO	PART NO.	REMARKS
1	10135742-101LF	RUBBER GLAND (ITEM NO:4) WITH 7mm DIA STANDARD LEVER GLAND NUT - COLOR BLACK
2	10135742-102LF	RUBBER GLAND (ITEM NO:4) WITH 7 & 8mm DIA (CUSTOMER SPECIAL) STANDARD LEVER GLAND NUT - COLOR BLACK
3	10135742-103LF	RUBBER GLAND (ITEM NO:4) WITH 10mm DIA STANDARD LEVER GLAND NUT - COLOR BLACK
4	10135742-104LF	RUBBER GLAND (ITEM NO:4) WITH 7mm DIA REVERSE LEVER GLAND NUT - COLOR BLACK
5	10135742-105LF	RUBBER GLAND (ITEM NO:4) WITH 7mm DIA STANDARD LEVER GLAND NUT - COLOR GREEN
6	10135742-106LF	RUBBER GLAND (ITEM NO:4) WITH 6,7,8,9,10&11.5mm DIA TIGHTENING CONE (ITEM NO:5)-2 TYPES; ONE IS COMPATIBLE FOR RUBBER GLANDS WITH DIA FROM 6 TO 10 AND THE 2ND ONE IS FOR RUBBER GLAND WITH DIA 11.5MM STANDARD LEVER GLAND NUT - COLOR BLACK
7	10135742-107LF	RUBBER GLAND (ITEM NO:4) WITH 6,7,8,9,10&11.5mm DIA TIGHTENING CONE (ITEM NO:5)-2 TYPES; ONE IS COMPATIBLE FOR RUBBER GLANDS WITH DIA FROM 6 TO 10 AND THE 2ND ONE IS FOR RUBBER GLAND WITH DIA 11.5MM STANDARD LEVER GLAND NUT - COLOR GREEN

spec ref	dr	Alosius, Stali	2019/05/08	projection	mm	size	A3	scale	1:1
tolerance std	eng	Alosius, Stali	2022/06/03			ecn no	ELX-I-44900-1		
TOLERANCES UNLESS OTHERWISE SPECIFIED							product family	OCTIS	rel level
surface	linear	0.X	±0.3		OCTIS PLUG KIT, RJ45 TAB UP FIELD TERMINABLE, PITCH 26 MM, COD R	dwg no 10135742	rev S		
		0.XX	±0.10						
ISO 1302	angular	0°	±2°					amphenol-icc.com	cat. no.

Amphenol FCI

© 2020 Amphenol Corporation



NOTES:

- KIT WILL BE SUPPLIED WITHOUT CONNECTOR
- REFERENCED MATING BOARD CONNECTOR IS AMPHENOL RJHSE-5480 /RJHSE-5380, SERIES, TAB UP, STANDARD PROFILE, SHIELDED RJ45 MODJACK OR ITS EQUIVALENT.
- IF THE BULKHEAD IS SCREW TYPE, THEN THE SCREWS TO BE USED ARE M3. (RECOMMENDED SCREW - M3x8MM, MATERIAL: STAINLESS STEEL)
- IF A SCREW TYPE BULKHEAD IS USED, THEN THE CASTED MOUNTING PANEL SHOULD HAVE ON ITS REAR SIDE AN INTEGRAL RECTANGULAR REINFORCED RIBS OF 6MM THICKNESS AND 4MM WIDTH ALONG THE MOUNTING SCREW PLANE AT THE TOP AND BOTTOM TO ACCOMODATE THE BLIND INTERNAL SCREW THREAD.

Amphenol FCI
 © 2020 Amphenol Corporation

spec ref		dr	Alosius, Stali	2019/05/08	projection	mm	size	A3	scale	1:2
tolerance std		eng	Alosius, Stali	2022/06/03			ecn no		ELX-I-44900-1	
TOLERANCES UNLESS OTHERWISE SPECIFIED		chr	-	-			rel level		Released	
surface	<input checked="" type="checkbox"/> linear <input type="checkbox"/> angular	0.X	±0.3	Amphenol FCI OCTIS PLUG KIT, RJ45 TAB UP FIELD TERMINABLE, PITCH 26 MM, COD R	cat. no. -	Product - Customer Drw	rev 10135742		sheet 3 of 5	
		0.XX	±0.10				dwg no 10135742	rev S		
		0.XXX	±0.05							
ISO 1302		0°	±2°	-		-		-		

TABLE 3

GENERAL CHARACTERISTICS (*)

Mechanical		
Mating endurance (Cycles)	EIA 364-09	100
Axial Tensile load (N min)	-	150
Vibration		
Recom. coupling torque (N.cm)	GR 3108	-
Weight (g)	-	200min. / 250max 62,37
Environmental		
Protection class (mated condition)	IEC 60529	IP67(**)
Operating temprature (°C)	EIA-364-32	-40/ +85
Storage temprature (°C)	EIA-364-32	-40/ +85
Humidity (damp heat) (%RH)	EIA-364-31	80-98% RH
Salt Spray	GR-950	720h
RoHS	-	Compliant
Flammability	UL94	V0
UVB Resist	ASTM G154	Compliant
Others:		
RJ45	-	For use with OCTIS RJ45 panel interface or receptacle
Cable	-	For use with standard RJ45 cable assemblies. Cable Diameter from 6,5 to 7,1 mm (field cable only)
Packaging	-	Unitary in plastic bag with assembly note.

(*) For OCTIS interface specification (see note below)

(**) Mated condition

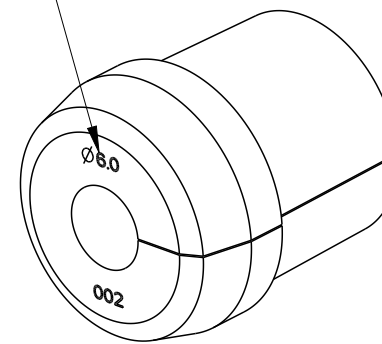
Note: OCTIS interface (environmental) product specification - GS-12-1413

spec ref	dr	Alosius, Stali	2019/05/08	projection	mm	size	A3	scale	1:2
tolerance std	eng	Alosius, Stali	2022/06/03		← →	ecn no	ELX-I-44900-1	rel level	Released
TOLERANCES UNLESS OTHERWISE SPECIFIED	chr	-	-						
	appr	Kuriakose, San	2022/06/06	product family	-				
	surface	linear	0.X	±0.3	Amphenol FCI	OCTIS PLUG KIT, RJ45 TAB UP FIELD TERMINABLE, PITCH 26 MM, COD R	dwg no	10135742	rev
		0.XX	±0.10						
		0.XXX	±0.05						
ISO 1302	angular	0°	±2°	cat. no.	-	Product - Customer Drw	sheet 4 of 5		

TABLE 4

Ø D*(mm)	RECOMMENDED GLAND SIZE (mm)
From 4.8 min to 5.8 Max	6
From 5.8 min to 6.8 Max	7
From 6.8 min to 7.8 Max	8
From 7.8 min to 8.8 Max	9
From 8.8 min to 9.8 Max	10
From 10.3 min to 11.3 Max	11.5

Gland size is written on the gland edge



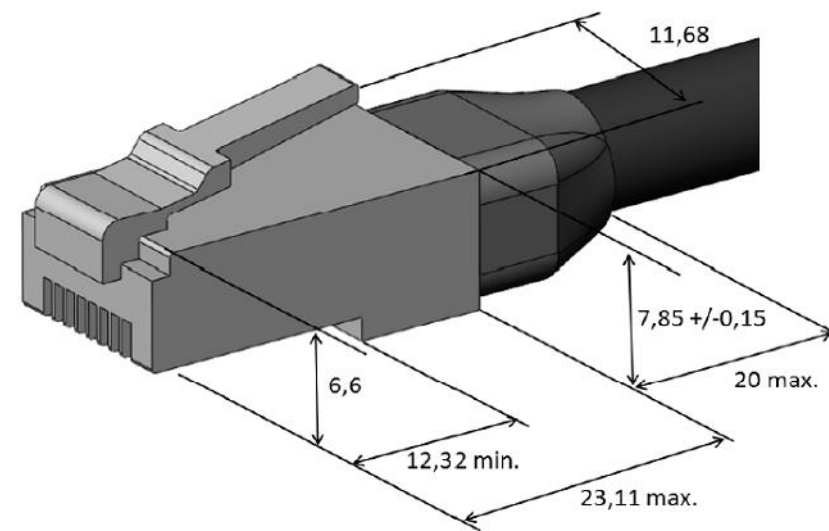
RUBBER GLAND PART NUMBERS

TABLE 5

PART NO.	INNER DIA OF GLAND (mm)
10135739-001LF	10
10135739-002LF	7
10135739-003LF	9
10135739-004LF	6
10135739-005LF	8
10135739-006LF	11.5

*Cable diameter under the gland. If the cable has a sleeve, the diameter over the sleeve should be considered. The tolerances of ØD should be taken into account to make sure it is always within the specified range.

RJ45 CONNECTOR REQUEST (IEC 60603-7)



spec ref	dr	Alosius, Stali	2019/05/08	projection	mm	size	A3	scale	1:1	
tolerance std	eng	Alosius, Stali	2022/06/03			ecn no		ELX-I-44900-1		
TOLERANCES UNLESS OTHERWISE SPECIFIED						product family		OCTIS		rel level
surface	linear	0.X	±0.3		OCTIS PLUG KIT, RJ45 TAB UP FIELD TERMINABLE, PITCH 26 MM, COD R	dwg no 10135742	rev S	ISO 1302		angular 0° ±2°
		0.XX	±0.10					cat. no. -	Product - Customer Drw	
0.XXX	±0.05	amphenol-icc.com								