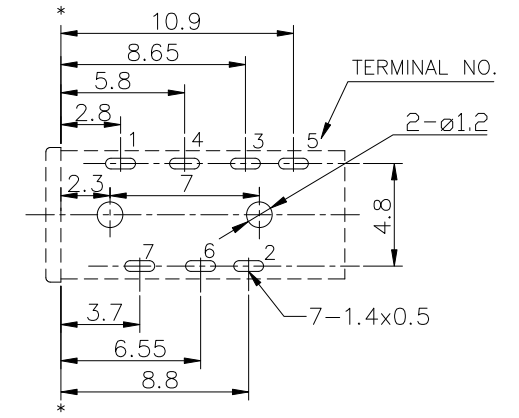
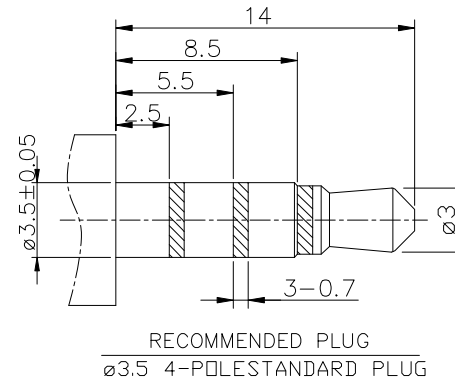
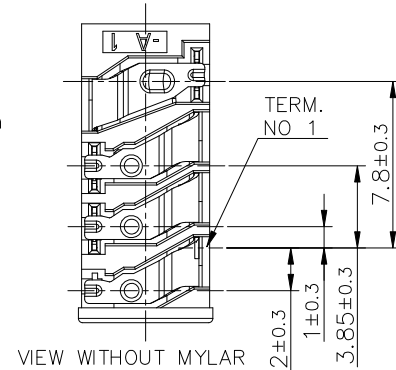
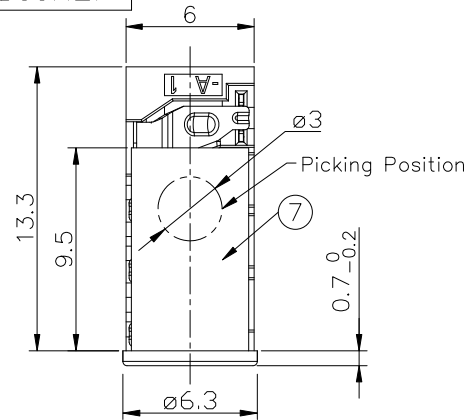
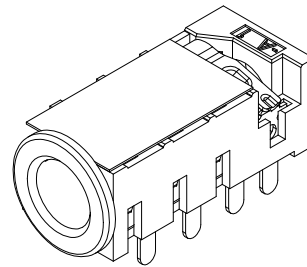
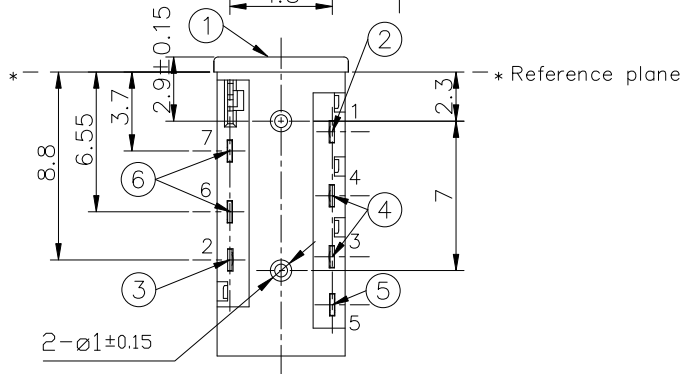
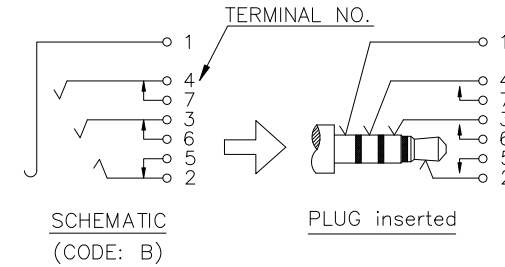
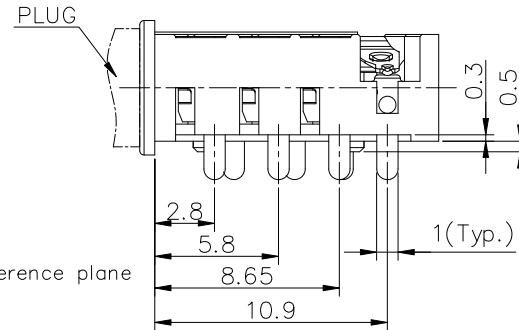
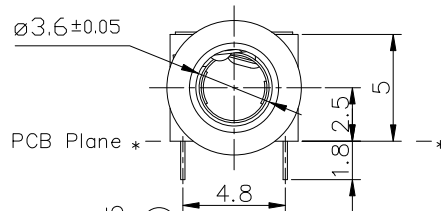


PRODUCT NUMBER
10132169-B00XLF



PCB HOLES(BOTTOM VIEW) t=1.2mm
NOTE: GENERAL TOLERANCE: ±0.05mm



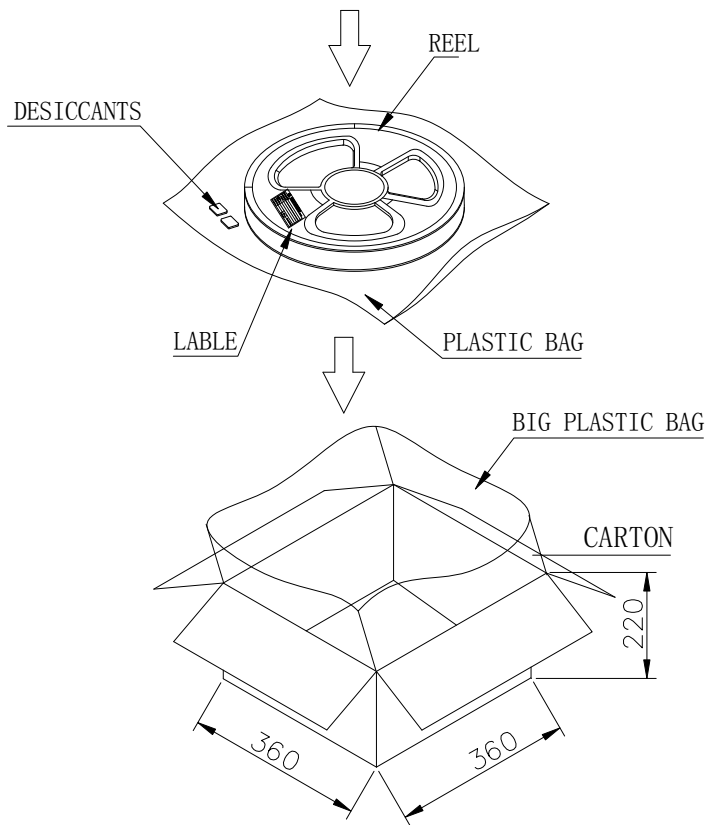
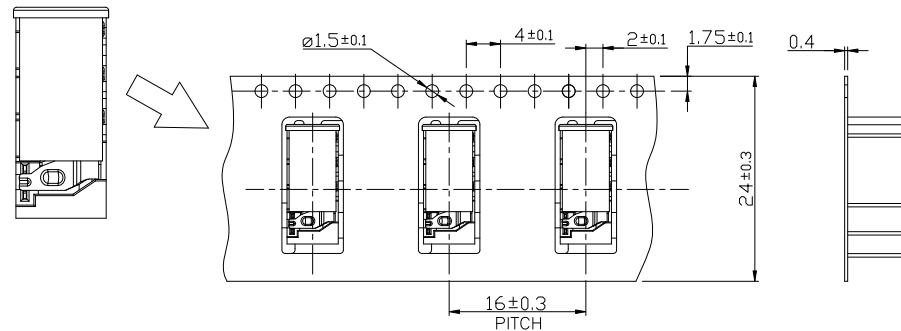
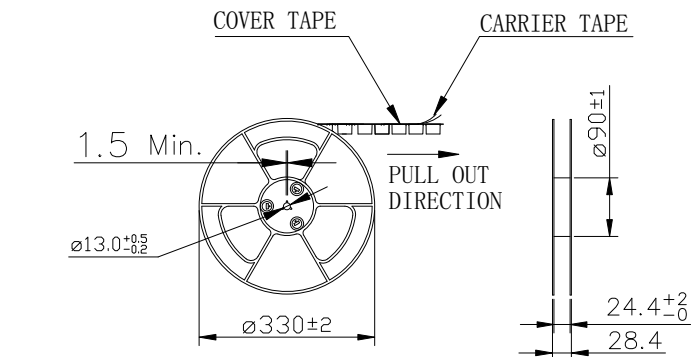
- NOTES:
1. MATERIAL: SEE MATERIAL TABLE.
2. PRODUCT SPECIFICATION: GS-12-1160.
3. PACKAGE SPECIFICATION: GS-14-2338.
4. THIS PRODUCT MEETS EUROPEAN UNION DIRECTIVES AND OTHER COUNTRY REGULATIONS AS DESCRIBED IN GS-47-0004.
5. THE HOUSING WILL WITHSTAND EXPOSURE TO 260°C PEAK TEMPERATURE 5 SECONDS IN A CONVECTION, INFRA-RED OR VAPOR PHASE REFLOW OVEN.
6. PART NUMBER DEFINITION:
10132169-X X X X LF

LEAD FREE
MYLAR - BLANK: WITH MYLAR; N: NO MYLAR
PLATING - 0: Ag
HSG COLOR - 0: BLACK
CIRCUIT SCHEMATIC CODE

NO.	PART NAME	TER'NO.	QTY.	MATERIAL	REMARK
7	MYLAR		1	MYLAR t=0.11	
6	SHUNT TERMINAL	6,7	2	BRASS t=0.20	Ag-PLATED
5	SHUNT TERMINAL	5	1	BRASS t=0.20	Ag-PLATED
4	RING TERMINAL	3,4	2	STAINLESS STEEL t=0.20	Ag-PLATED
3	TIP TERMINAL	2	1	STAINLESS STEEL t=0.20	Ag-PLATED
2	EARTH TERMINAL	1	1	STAINLESS STEEL t=0.20	Ag-PLATED
1	HOUSING		1	PA9T 94V-0	BLACK

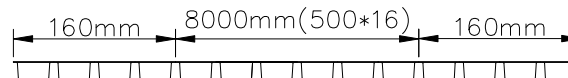
mat'l. code		surface	tolerance	projection	product family
ltr	ecn no	dr	date	tolerances unless otherwise specified	title
A		TAI	2014-10-31	16<L≤63 ±0.4	3.5mm PHONE JACK
B	ELX-T-20758	TAI	2015-06-08	4<L≤16 ±0.3	
				X°±5°	scale
				dr	KENNY TAI 2014-10-31
				enr	KENNY TAI 2014-10-31
				chr	KENNY TAI 2014-10-31
				appd	PM ZHENG 2014-10-31
sheet index	revision sheet	B	B		
		1	2		

dwg no	sheet 1 of 2	size
10132169		A4
type	CUSTOMER Drawing	



NOTE:

1. CARRIER TAPE PACKING LENGTH
TRAILER CONNECTORS LEADER(START)



2. FEELING FORCE: 0.1N-1.3N (10g-132g)

NOTE:

1. Reel (330X28.4mm)
2. Carton (360X360X220mm)
3. Carton thickness = 6.0mm
4. Unit:mm
5. N.W=1.44Kg; G.W=3.7Kg

1 Carton
= 6 Reel/ Carton
= 500 pcs / reel
= 3000 pcs/Carton

mat'l. code		surface	tolerance	projection	product family
ltr	ecn no	dr	date		title
					3.5mm PHONE JACK
					scale
					dr KENNY TAI 2014-10-31 engr KENNY TAI 2014-10-31 chr KENNY TAI 2014-10-31 appd PM ZHENG 2014-10-31
					dwg no 10132169 sheet 2 of 2 size A4
					type CUSTOMER Drawing
sheet index	revision sheet	B	B		
		1	2		