

PRODUCT NUMBER
89882-XXX(Z)LF

ROHS COMPATIBLE, SEE NOTE 5.

OPTIONAL LETTER

H: HIGH TEMPERATURE PRODUCT.

NUMBER OF POSITIONS: 02 TO 65.

PLATING CODE

3= 0.76µm GOLD ON CONTACT AREA.

2µm MIN MATTE TIN ON TAIL.

4= 2µm MIN MATTE TIN FULL PLATED

1.27µm Ni MIN UNDERPLATING

NOTES:

1 - HOUSING MAT'L: THERMOPLASTIC GLASS FILLED

FLAME RETARDANT PER UL 94 V-0

LOW TEMPERATURE: COLOR BLUE

HIGH TEMPERATURE: COLOR GREY.

2 - TERMINAL MATERIAL: PHOSPHOR BRONZE.

3 - 2 UP TO 4 POSITIONS PRODUCT PACKED IN PLASTIC BOX.

5 UP TO 65 POSITIONS PRODUCT PACKED IN TUBE.

4 - TO DETERMINE DIMENSIONS:

N = NUMBER OF POSITIONS

EXAMPLE: 8 POS: (N×2.54)-0.08=20.24 mm.

5 - ROHS COMPATIBLE PRODUCT SPECIFICATIONS

a - PLATING:

- "LF" MEANS THE PRODUCT IS LEAD-FREE,
2µm MINIMUM MATTE TIN OVER 1.27µm
MINIMUM NICKEL UNDERPLATE.

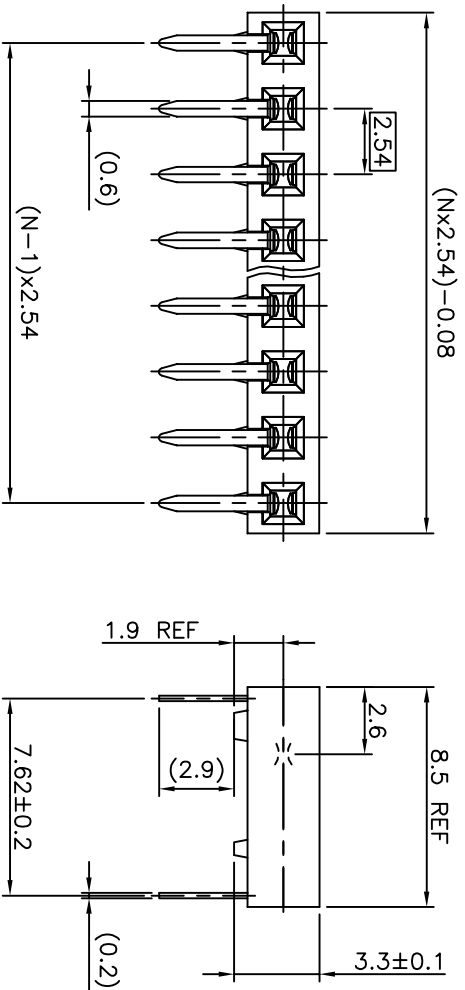
b - MANUFACTURING PROCESS COMPATIBILITY

- THE HOUSING WILL WITHSTAND EXPOSURE TO
260°C ±5°C SOLDER BATH TEMPERATURE FOR
5 SECONDS IN A WAVE SOLDER APPLICATION
WITH A 1.6mm MIN THICK CIRCUIT BOARD.

c - LABELING:

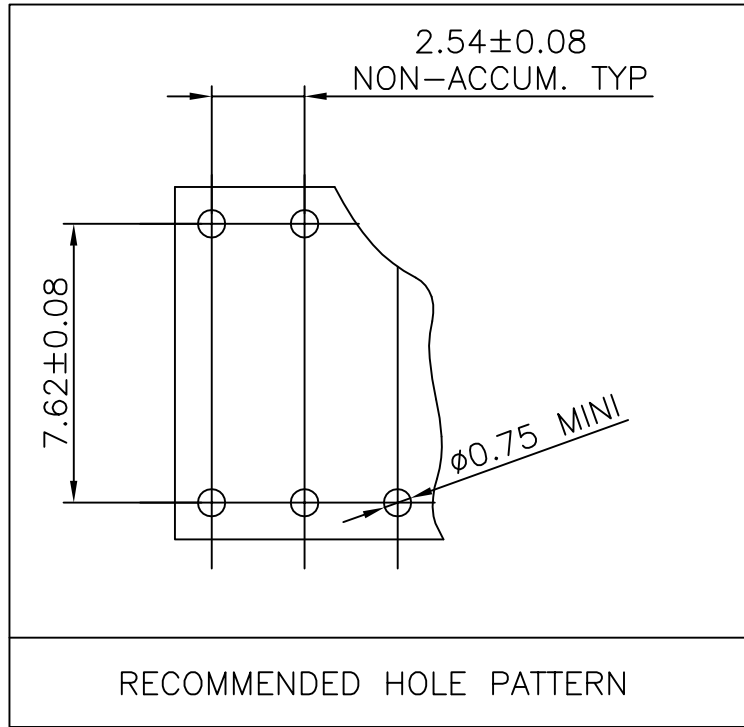
- MEETS PACKAGING SPECS AS PER GS-14-920

d - LEGAL STATEMENT: SEE GS-47-0004



mat'l. code	SEE NOTES	surface	tolerance	projection	product family			
ltr	ecn no	dr	date	ISO 1302	ISO 406	ISO 1101	ISO 1101	title
K	B-19123	LMU	14.10.21	tolerances unless otherwise specified	±0.3	mm	scale 5:1	BtB RECEPT.
E	F10110	GC0	01.01.16	angles	linear	mm	scale 5:1	HORIZ SR TMT
F	04-0145	DLE	04.02.25	dr	D	LEGRAND	04.08.29	
G	F04-0347	DLE	04.09.28	enrg	P	NIZZI	04.09.28	
H	F06-0204	DLE	06.06.21	th*	D	LEGRAND	04.09.28	
J	F06-0330	DLE	06.12.04	appd	P	NZ	04.09.28	
sheet	revision	K	B					
index	sheet	1	2					

dwg no	89882	sheet 1 of 2	size	A3
type	CUSTOMER	Drwng		



FCIconnect.com

Copyright FCI

mat'l. code SEE SHEET 1				surface ISO 1302 <input checked="" type="checkbox"/>		tolerance ISO 406 ISO 1101		projection 		product family DUBOX					
ltr	ecn no	dr	date	tolerances unless otherwise specified				mm 		title BtB RECEPT. HORIZ SR TMT					
A	F04-0347	DLE	04.09.28	angles linear	±0.3				scale 5:1		dwg no 89882		sheet 2 of 2 size A4		
B	F06-0204	DLE	06.06.21												
				±2'	dr		D LEGRAND	04.09.28			type CUSTOMER Drawing				
				enr		P NIZZI	04.09.28								
				chr		D LE	04.09.28								
				appd		P NZ	04.09.28								
sheet index		revision sheet													