

MUN12AD01-SG 1A uPOL Module EVB Guide

ELECTRICAL SPECIFICATION:

Parameters	Symbol	Value	Unit
Input Voltage	VIN	4.5~16.0	V
Output Voltage	VOUT	Adjust	V
Output Current	IOUT	1	A

OUTPUT VOLTAGE SETTING:

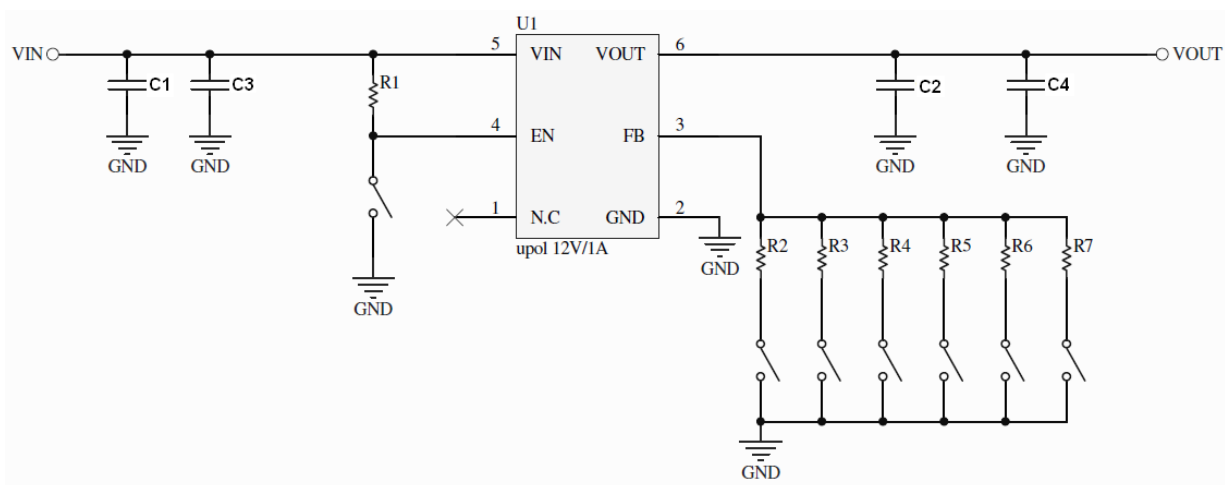
$$V_{OUT} = 0.60 \times \left(1 + \frac{100k}{R_2} \right)$$

Vout (V)	1.0	1.2	1.5	1.8	2.5	3.3	5.0
R_{FB}	150K Ω	100K Ω	66.67K Ω	50K Ω	31.58K Ω	22.22K Ω	13.64K Ω

TABLE 1: OUPUT VOLTAGE SETTING

MUN12AD01-SG 1A uPOL Module EVB Guide

EVALUATION BOARD SCHEMATIC:

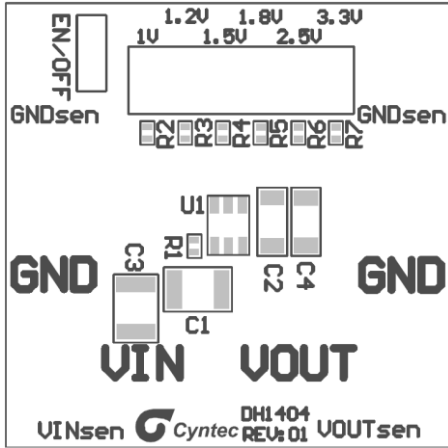


BILL OF MATERIALS:

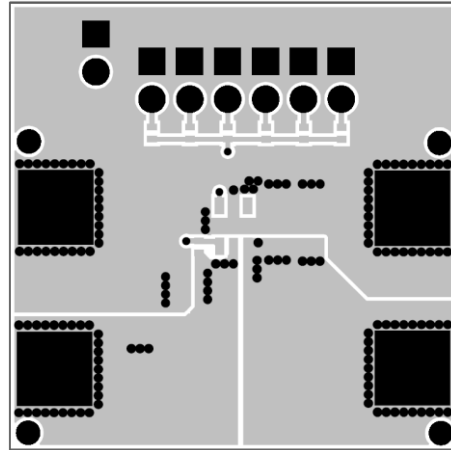
Ref.	Value	Description	Package
C1	10uF	25V/X7R	1210
C2	22uF	10V/X7R	1206
C3		N.C.	
C4		N.C.	
R1	100k	Chip Res, +/-0.5%	0402
R2-R7	Depend on Vout, refer table 1		0402
U1	1 A	MUN12AD01-SG 1A uPOL Module (3.9mmx2.6mmx1.7mm)	DFN

MUN12AD01-SG 1A uPOL Module EVB Guide

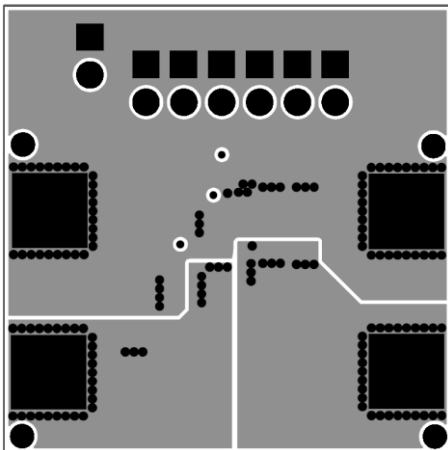
PRINTED CIRCUIT BOARD LAYOUT:



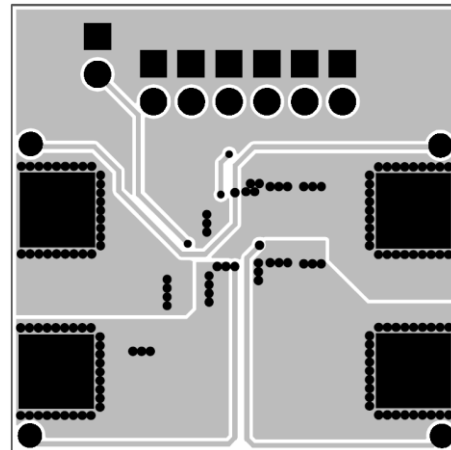
Components Location on Bottom



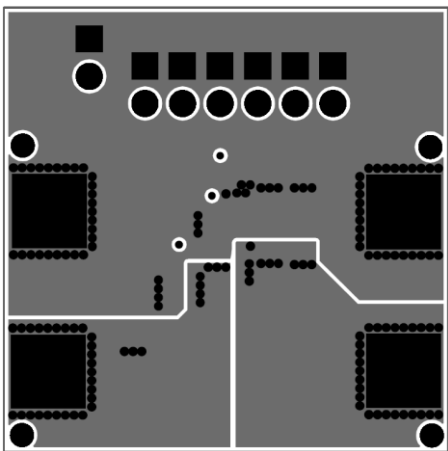
Top Layer



Mid Layer1



Mid Layer2



Bottom Layer

MUN12AD01-SG 1A uPOL Module EVB Guide

REVISION HISTORY:

Date	Revision	Changes
2015.01.09	00	Issue initial preliminary EVB guide.
2015.06.28	01	Update BOM list of EVB for reference voltage 0.62V
2017.01.13	02	1、 Correcting input and output voltage range 2、 Change reference voltage from 0.62V to 0.6V 3、 Change BOM list of EVB for reference voltage 0.6V