

87180-X6XHTRLF OPTION ONLY
(87180-X62HTRLF/X64HTRLF/X66HTRLF)

FIGURE 4- 6 POS TYPE.

mat'l. code		surface		tolerance		projection		product family	
		ISO 1302		ISO 406		ISO 1101		HPL 580	
ltr		ecn no		dr		date		title	
AA		N06-0043		DT		02/20/06		MOD JACK, FOR 1.6MM P.C.B.	
AB		N08-0097		SH		08/13/08			
AC		N08-0170		SH		09/25/08			
AD		ELX-N-010675H		MAC		3/14/12		dr Laurence.Zang 12/22/17	
AE		ELX-N-31068		LZ		12/22/17		eng Laurence.Zang 12/22/17	
								chr Tim.Yao 12/22/17	
								appd Tim.Yao 12/22/17	
sheet index		revision sheet						dwg no sheet 1 of 3 size	
								87180 A3	
								type Product Customer Drawing	

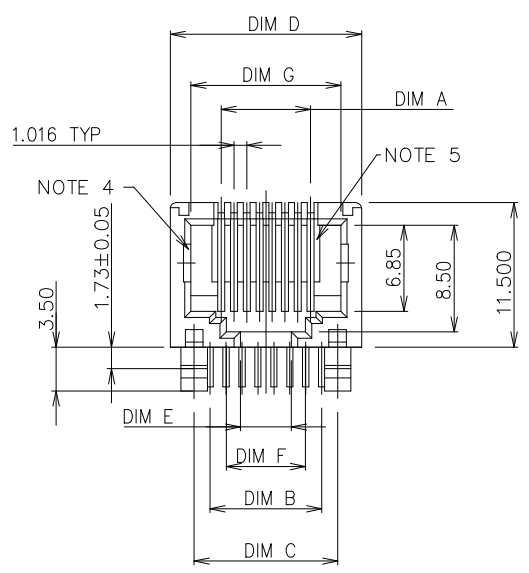
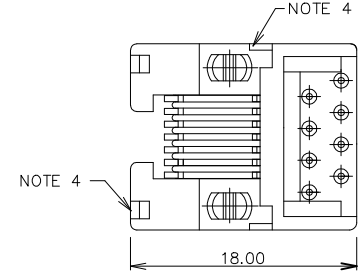
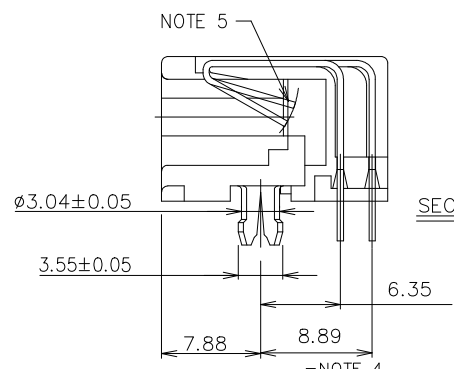
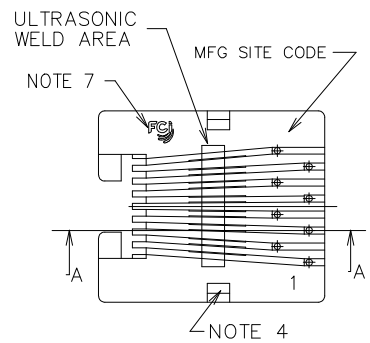
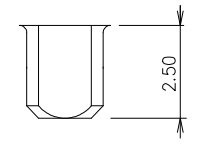
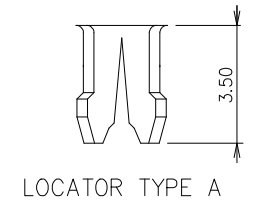


FIGURE 2- 8 POS TYPE.

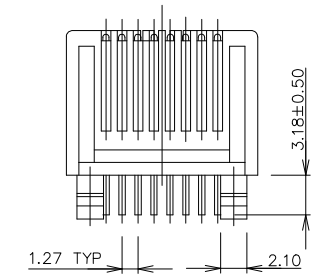


LOCATOR TYPE & DESCRIPTION
 APPLY TO 4 & 6 & 8 POS



LOCATOR TYPE A

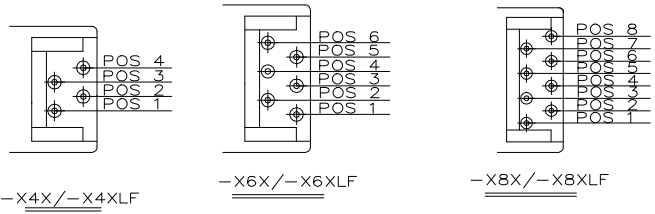
LOCATOR TYPE B
 ONLY APPLY TO 87180-X6XHTRLF



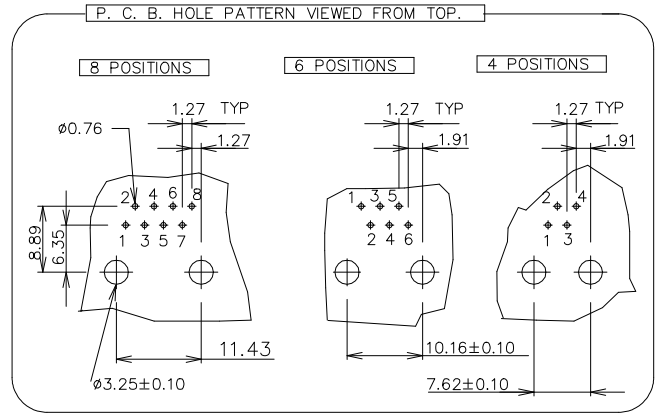
mat'l. code		surface		tolerance		projection		product family	
		ISO 1302		ISO 406		ISO 1101		HPL 580	
ltr		ecn		no		dr		date	
AE									
				tolerances unless otherwise specified		mm		title	
				angles		0.0±0.30		MOD JACK, FOR 1.6MM P.C.B.	
				linear		0.00±0.15			
				0°±2'		0.000±0.05		scale 1:1	
		dr		Laurence.Zang		12/22/17		dwg no	
		eng		Laurence.Zang		12/22/17		sheet 2 of 3	
		chr		Tim.Yao		12/22/17		size	
		appd		Tim.Yao		12/22/17		87180	
								A3	
								type Product Customer Drawing	
sheet index		revision sheet							

PRODUCT NUMBER	NUMBER OF POS.	DIM A	DIM B	DIM C	DIM D	DIM E	DIM F	DIM G	LOADED POSITION	TAIL LENGTH	HOUSING COLOR	PRODUCT FIGURE	LOCATOR TYPE	PLATING CODE X	PLATING
87180-X44/-X44LF/-X44HLF	4	3.05	3.81	7.62	11.20	3.05	5.50	7.87	ALL POS.	3.18MM	BLACK	FIGURE 1	TYPE A	0	5u" Au + high performance lubricant
2,3									1					15 u " G.X.T.	
ALL POS.									2					20 u " GFPD	
87180-X66/-X66LF/-X66HLF	6	5.08	6.35	10.16	13.20	4.06	6.60	9.90	ALL POS.	3.18MM	BLACK	FIGURE 1	TYPE B	3	5u" Au + high performance lubricant
2,3,4,5									4					15 u " G.X.T.	
1,2,5,6									5					50 u " G.X.T.	
3,4									6					6 u " G.X.T.	
ALL POS.									7					2 u " G.X.T.	
ALL POS.									A					30u" GXT	
87180-X84/-X84LF/-X84HLF	8	7.11	8.89	11.43	15.24	4.06	6.30	11.94	3,4,5,6	3.18MM	BLACK	FIGURE 2	TYPE A	B	30u" Au
1,4,5,8															
1,2,3,6															
1,2,7,8															
ALL POS.															
3,4,5,6															
3,4,5,6															
87180-X84GSLF/-X841GSHXXLF									ALL POS.	GREY					

LEAD FREE PRODUCT NO.
 BLANK: STANDARD TUBE PACKAGE
 TR: TAPE & REEL WITH MYLAR APPLY ONLY 87180-X6XHTRLF
 MEETS PIP PROCESS PRODUCT NO.



WIRE POSITION No



- NOTES:
- RECOMMENDED P.C.B THICKNESS 1.60 MM
 - HOUSING MAT'L: HIGH TEMP THERMAL PLASTIC
UL94-V0, COLOR : SEE TABLE.
 - CONTACTS: PHOS BRONZE ALLOY UNS-C51000, 50u" NI UNDER PLATING
0.460DIA. ROUND WIRE. ,PLATING SEE TABLE.
 - APPEARS ON 8 POS TYPE (P/N 87180-X8X) ONLY.
 - PROTRUDED SHELF ONLY APPEARS ON 8-POS JACK.
 - STANDARD PACKAGING METHOD(USE TUBE): SEE GES-14-361.
87180-XXTRLF SPECIAL PACKAGE WITH TAPE & REEL
 - COMPANY LOGO CAN BE "BERG" OR "DU PONT" OR "FCI", AND WOULD APPEAR IN THE SAME SHIPMENT UNLESS LOGO SPEC HEREIN IS UPDATED.
 - THE PRODUCT MEETS EUROPEAN UNION DIRECTIVES AND OTHER COUNTRY REGULATIONS AS DESCRIBED IN GS-22-008.
 - THE HOUSING WILL WITHSTAND EXPOSURE TO 260°C PEAK TEMPERATURE FOR 10 SECONDS IN A WAVE SOLDER APPLICATION WITH A 1.60mm MINIMUM THICK CIRCUIT BOARD.
 - IF LF P/N PACKAGING MEETS GS-14-920 SPECIFICATION.
 - EQUIVALENT THICKNESS Au AND GXT PLATING HAVE SAME FUNCTION AND THEY ARE ALTERNATIVE BY THE CUSTOEMR .

mat'l. code		surface	tolerance	projection	product family
ISO 1302		ISO 406	ISO 1101	HPL 580	
ltr	ecn no	dr	date	title	
AE				MOD JACK, FOR 1.6MM P.C.B.	
tolerances unless otherwise specified		angles	0.0±0.30	mm	
		linear	0.00±0.15	scale 1:1	
		0±2'	0.000±0.05		
dr		Laurence.Zang	12/22/17	dwg no	
eng		Laurence.Zang	12/22/17	sheet 3 of 3	
chr		Tim.Yao	12/22/17	size	
appd		Tim.Yao	12/22/17	A3	
				type Product Customer Drawing	
sheet index	revision sheet				

Amphenol FCI
 © 2016 AFCI