

# SPECIFICATIONS

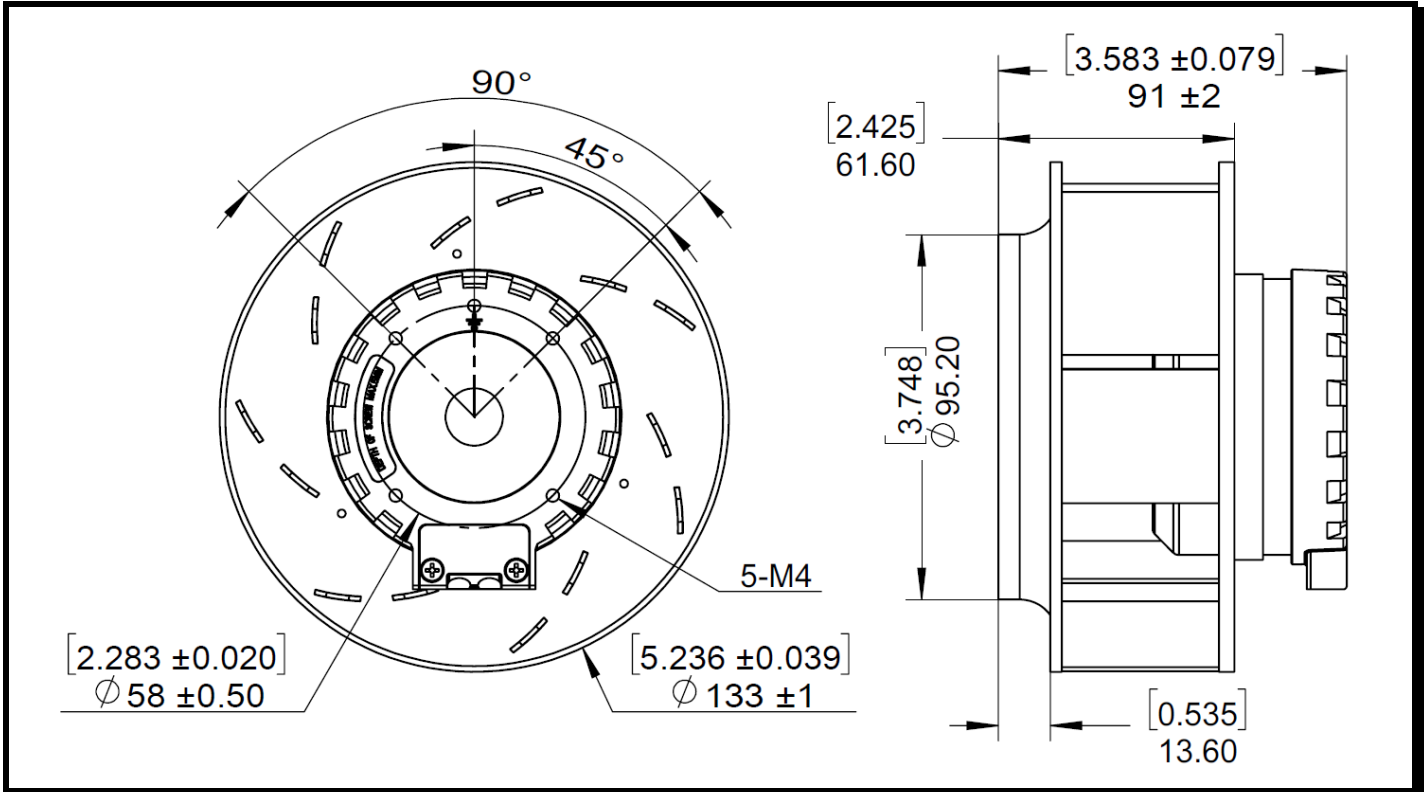
(RoHS Compliant)



**Model Number:** CRKU133B-E48  
**Part Number:** 17002098A

**Version:** 00  
**Sep 21, 2023**

## Mechanical Drawing:



### Motor:

Nominal Voltage	= 48 vdc
Operating Voltage Range	= 43.2 – 52.8 vdc
Nominal Running Current	= 0.50 amps
Max. Locked Rotor Current	= 1.0 amps
Running Power	= 24 watts
Average Speed	= 3600 RPM
Bearings	= Ball
Air Flow	= 206 CFM
Acoustic	= 66 dBA
Weight	= 520g

### Construction:

Venturi: Die Cast Aluminum  
Propeller: Die Cast magnesium alloy, ED coating and powder coating

### Life Expectancy:

This fan is designed for continuous duty life of 55,000 hours at 40°C.

### Additional Features:

Brushless DC Motor  
Automatic Restart Capability  
Electronic Locked Rotor Protection  
Polarity Protected  
Operating Temperature: -10°C to 70°C  
Storage Temperature: -40°C to 85°C

### Agencies:

UL, CE

### Termination:

450mm Cable  
Red = Power(+)  
Black = Return(-)

**PQ Curve:**

