

SPECIFICATIONS

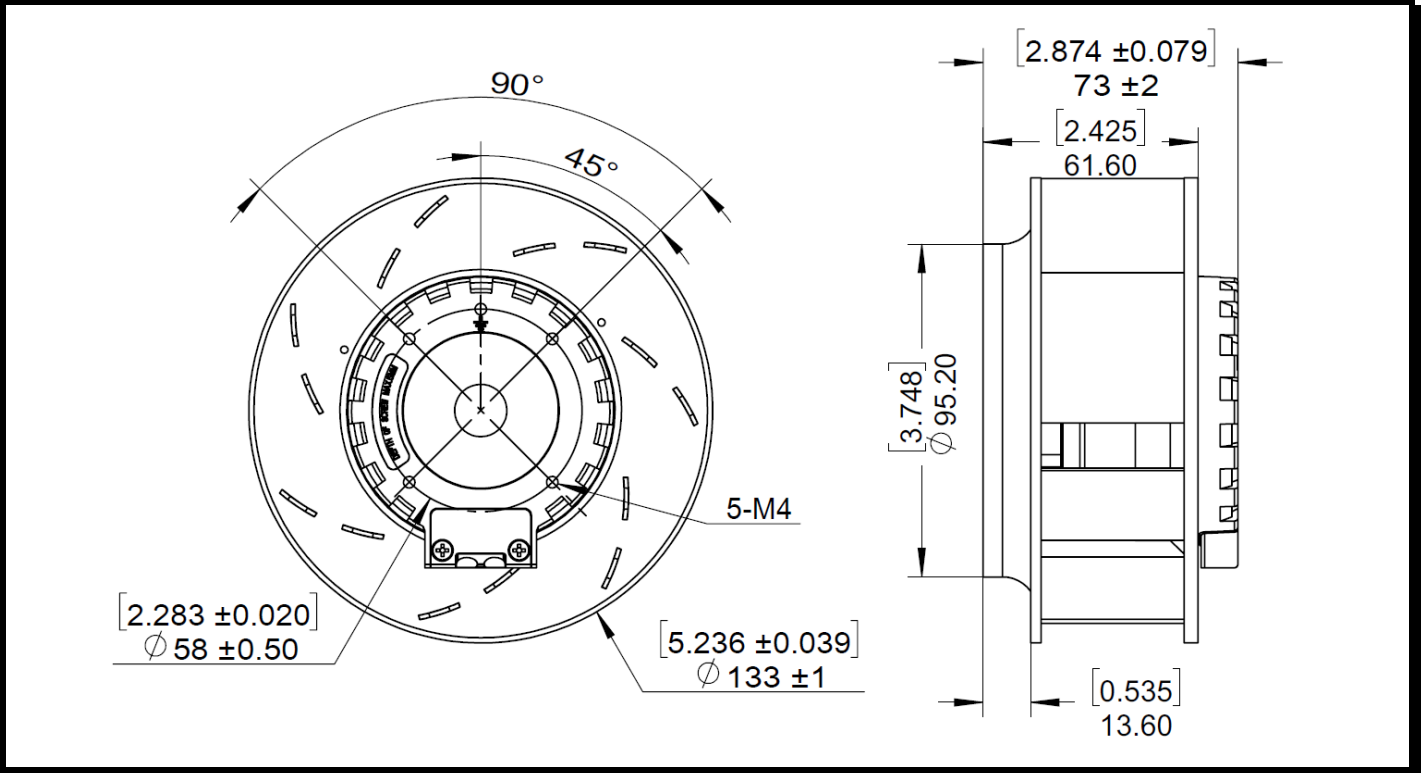
(RoHS Compliant)

Model Number: CRKU133A-E48
Part Number: 17002096A

Version: 00
Sep 21, 2023



Mechanical Drawing:



Motor:

| | |
|---------------------------|-------------------|
| Nominal Voltage | = 48 vdc |
| Operating Voltage Range | = 43.2 – 52.8 vdc |
| Nominal Running Current | = 0.625 amps |
| Max. Locked Rotor Current | = 1.0 amps |
| Running Power | = 30 watts |
| Average Speed | = 3600 RPM |
| Bearings | = Ball |
| Air Flow | = 168 CFM |
| Acoustic | = 67 dBA |
| Weight | = 520g |

Construction:

Venturi: Die Cast Aluminum
Propeller: Die Cast magnesium alloy, ED coating and powder coating

Life Expectancy:

This fan is designed for continuous duty life of 55,000 hours at 40°C.

Additional Features:

Brushless DC Motor
Automatic Restart Capability
Electronic Locked Rotor Protection
Polarity Protected
Operating Temperature: -10°C to 70°C
Storage Temperature: -40°C to 85°C

Agencies:

UL, CE

Termination:

450mm Cable
Red = Power(+)
Black = Return(-)

PQ Curve:

