

# SPECIFICATIONS

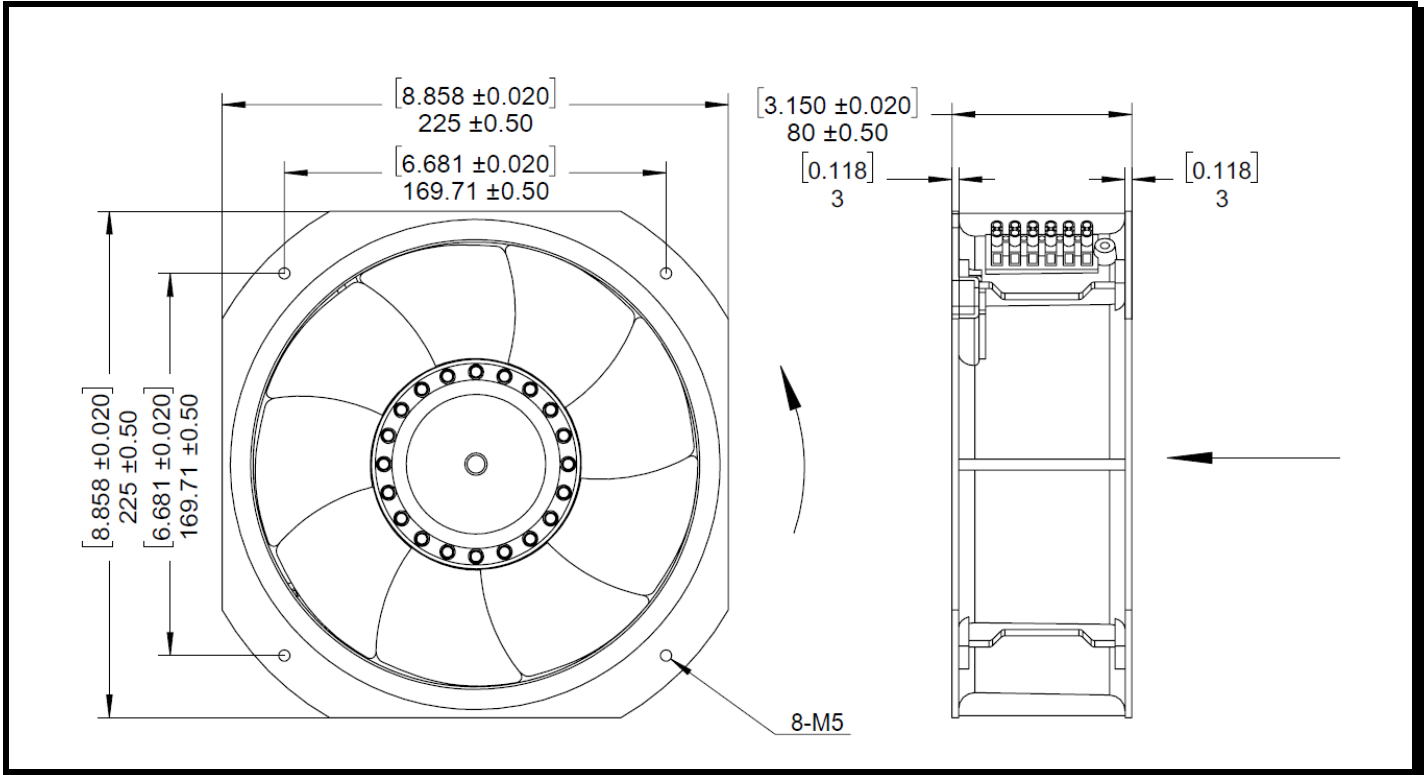
(RoHS Compliant)

**Model Number:** CR2258DC24V  
**Part Number:** 17002083A

**Version:** 00  
**Aug 31, 2023**



## Mechanical Drawing:



### Motor:

Nominal Voltage	= 24 vdc
Operating Voltage Range	= 21.6 – 26.4 vdc
Nominal Running Current	= 4.2 amps
Max. Locked Rotor Current	= 6.0 amps
Running Power	= 100.8 watts
Average Speed	= 3600 RPM
Bearings	= Ball
Air Flow	= 713.9 CFM
Acoustic	= 71 dBA
Weight	= 1730g

### Construction:

Venturi: Die Cast magnesium alloy, ED coating and powder coating  
Propeller: Die Cast magnesium alloy, ED coating and powder coating

### Life Expectancy:

This fan is designed for continuous duty life of 50,000 hours at 40°C.

### Additional Features:

Brushless DC Motor  
Automatic Restart Capability  
Electronic Locked Rotor Protection  
Polarity Protected  
Operating Temperature: -10°C to 70°C  
Storage Temperature: -40°C to 85°C

### Agencies:

UL,CE

### Termination:

310±10mm , 18AWG UL1332 Leadwires  
Red = Power(+)  
Black = Return(-)

**PQ Curve:**

