

SPECIFICATIONS

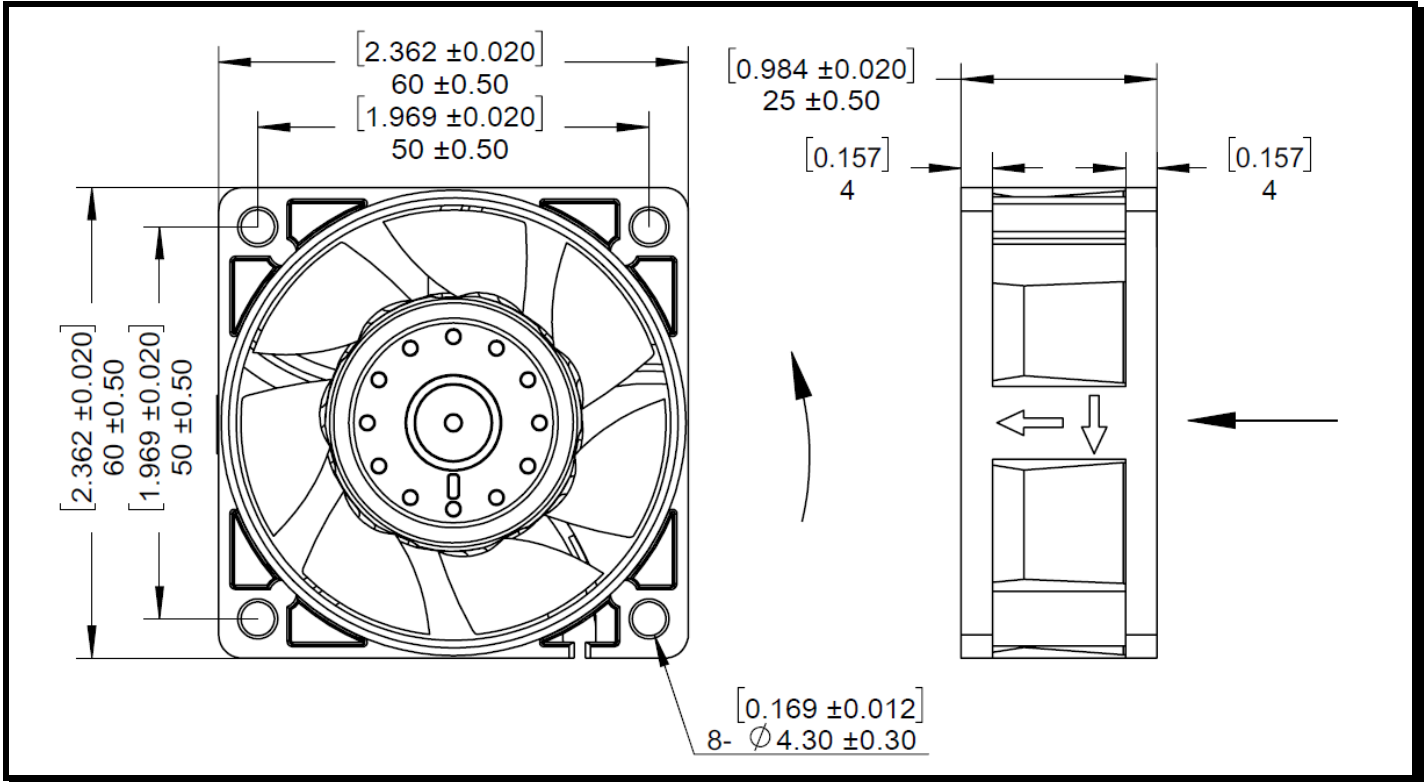
(RoHS Compliant)

Model Number: CR6025-LD48BPL
Part Number: 17002018A

Version: 00
May 15, 2023



Mechanical Drawing:



Motor:

Nominal Voltage	= 48vdc
Operating Voltage Range	= 43.2– 52.8 vdc
Nominal Running Current	= 0.04amps
Max. Locked Rotor Current	= 0.10 amps
Running Power	= 1.92watts
Average Speed	= 4000 RPM
Bearings	= Ball
Air Flow	= 19.9CFM
Acoustic	= 46 dBA
Weight	= 70g

Construction:

Venturi: Plastic, Black, UL 94V-0
Propeller: Plastic, Black, UL 94V-0

Life Expectancy:

This fan is designed for continuous duty life of 45,000 hours at 70°C.

Additional Features:

Brushless DC Motor
Automatic Restart Capability
Electronic Locked Rotor Protection
Polarity Protected
Operating Temperature: -10°C to 70°C
Storage Temperature: -40°C to 85°C

Agencies:

UL, CE

Termination:

250±10mm, 24AWG UL1007 Leadwires
Red = Power(+)
Black = Return(-)

PQ Curve:

