

# SPECIFICATIONS

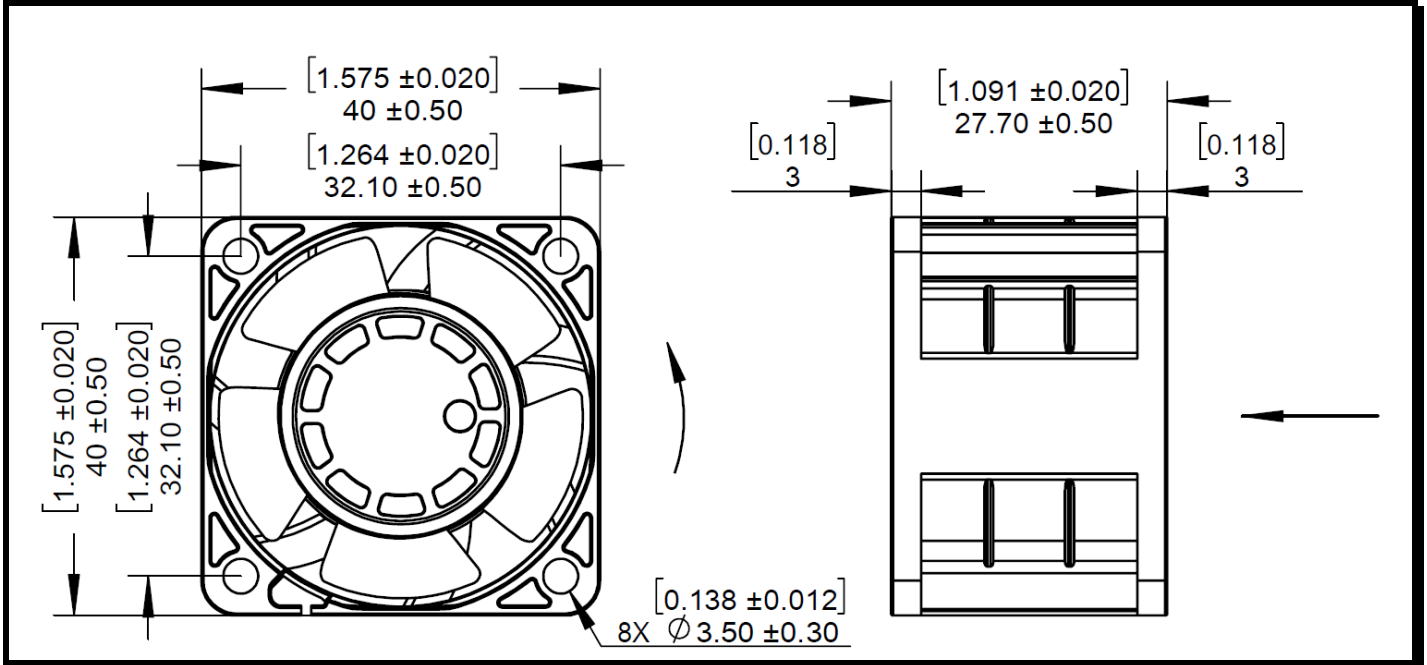
(RoHS Compliant)

**Model Number:** CR4028-MD12BPL  
**Part Number:** 17002001A

Version: 00  
Mar 24, 2023



## Mechanical Drawing:



### Motor:

Nominal Voltage	= 12 vdc
Operating Voltage Range	= 10.8-13.2 vdc
Nominal Running Current	= 0.10 amps
Max. Locked Rotor Current	= 0.20 amps
Running Power	= 1.20 watts
Average Speed	= 8000 RPM
Bearings	= Ball
Air Flow	= 10.6 CFM
Acoustic	= 45 dBA
Weight	= 50g

### Construction:

Venturi: Plastic, Black, UL 94V-0  
Propeller: Plastic, Black, UL 94V-0

### Life Expectancy:

This fan is designed for continuous duty life of 45,000 hours at 70°C.

### Additional Features:

Brushless DC Motor  
Automatic Restart Capability  
Electronic Locked Rotor Protection  
Polarity Protected  
Operating Temperature: -10°C to 70°C  
Storage Temperature: -40°C to 85°C

### Termination:

250 $\pm$ 10mm, 24AWG UL1007 Leadwires  
Red = Power(+)  
Black = Return(-)

### Agencies:

UL, CE

**PQ Curve:**

