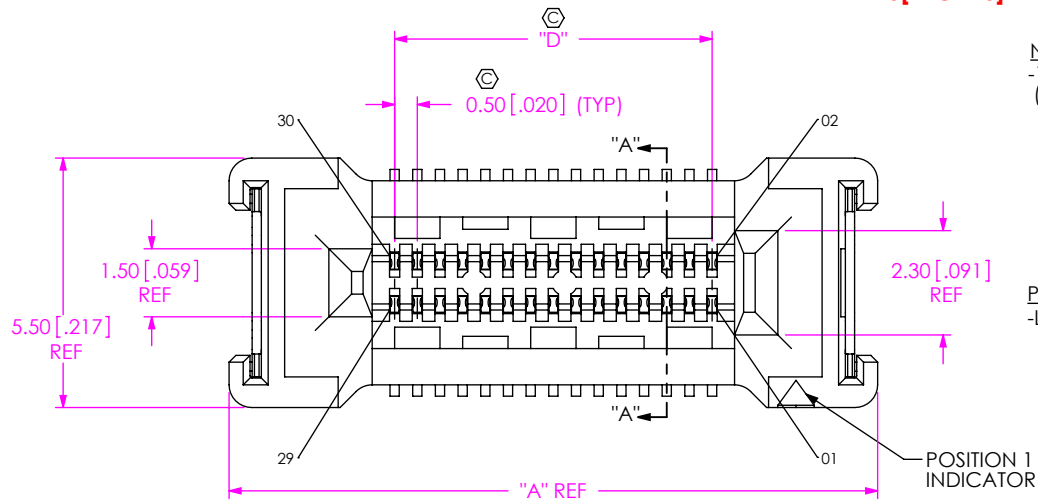


DO NOT SCALE FROM THIS PRINT

DESIGNED & DIMENSIONED IN MILLIMETERS [INCHES]

FT5-XX-XX.X-X-DV-XX-X-XR



NO OF POSITIONS
-15, -30
(PER ROW)

LEAD STYLE
**-01.0: 1MM
**-03.0: 3MM
*-06.0: 6MM
*-08.0: 8MM
*-10.0: 10MM

PLATING SPECIFICATION
-L: LIGHT GOLD ON CONTACT AREA, MATTE TIN ON TAIL (USE T-1M84-XX.X-L)

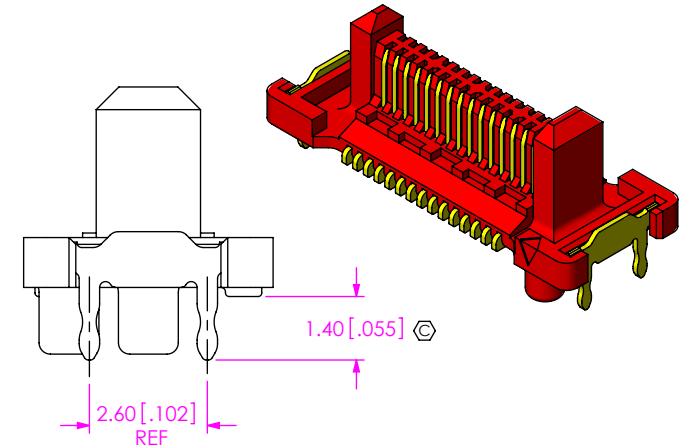
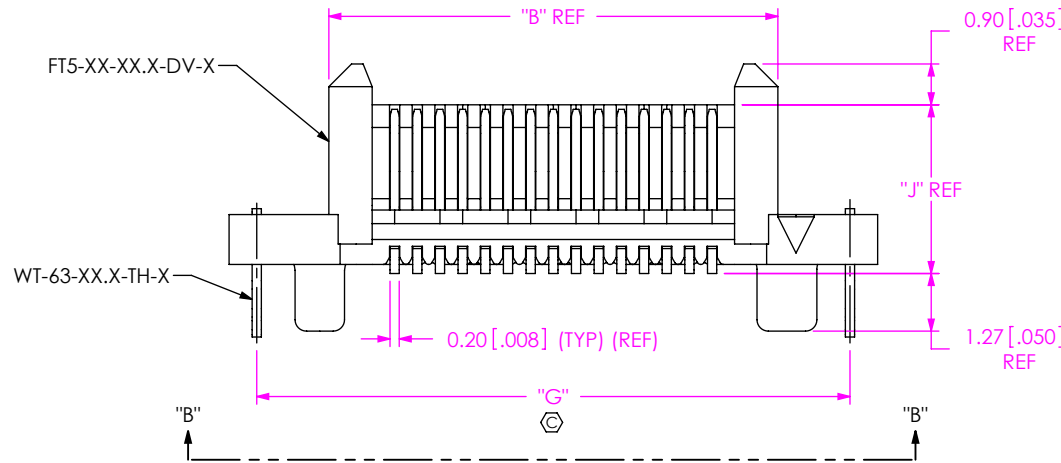
ROW SPECIFICATION
-DV: DOUBLE VERTICAL

(* = NOT TOOLED)
** = -P OPTION MANDATORY, NOT MANDATORY FOR EXISTING CUSTOMERS ONLY

TAPE & REEL (SEE NOTES 6 & 7)
-TR: TAPE & REEL
-FR: FULL REEL QTY TAPE & REEL

OPTION
-P: PICK AND PLACE PAD (USE PPP-71) (SEE FIG. 4, SHT 3)

WELD TAB
-TH: THRU HOLE (USE WT-63-XX.X-TH-X)
*-SM: SURFACE MOUNT (USE WT-63-XX.X-SM-X)



- NOTES:
1. Ⓢ REPRESENTS A CRITICAL DIMENSION.
 2. PUSH OUT FORCE 1.80N [0.40LBS].
 3. NOTE DELETED.
 4. NOTE DELETED.
 5. NOTE DELETED.
 6. ORDERS WILL BE PACKAGED ACCORDING TO THE SAMTEC PACKAGING EFFICIENCY STANDARDS (SPES) FOUND ON WWW.SAMTEC.COM.
 7. ATTACH LABEL TO EACH REEL.

FIG 1 FT5-15-01.0-X-DV-TH-X-XR SHOWN

TABLE 1 STACK HEIGHT					
FS5 LEAD STYLE	FT5 LEAD STYLE				
	-01.0	-03.0	-06.0	-08.0	-10.0
-04.0	5.0 [0.20]	7.0 [0.28]	10.0 [0.39]	12.0 [0.47]	14.0 [0.55]

TABLE 2				
LEAD STYLE	BODY PART NUMBER	TERMINAL PART NUMBER	WT PART NUMBER	SPACER BODY PART NUMBER
-01.0	FT5-XX-01.0-X-DV-X	T-1M84-01.0-X	WT-63-01.0-XX-X	N/A
-03.0	FT5-XX-03.0-X-DV-X	T-1M84-03.0-X	WT-63-03.0-XX-X	N/A
-06.0	FT5-XX-03.0-X-DV-X	T-1M84-06.0-X	WT-63-06.0-XX-X	TFHH-XX-03.0-X
-08.0	FT5-XX-03.0-X-DV-X	T-1M84-08.0-X	WT-63-08.0-XX-X	TFHH-XX-05.0-X
-10.0	FT5-XX-03.0-X-DV-X	T-1M84-10.0-X	WT-63-10.0-XX-X	TFHH-XX-07.0-X

UNLESS OTHERWISE SPECIFIED, DIMENSIONS ARE IN MILLIMETERS [INCHES].
TOLERANCES ARE:
DECIMALS ANGLES
X.X: ±0.3 [0.1]
X.XX: ±0.13 [0.05]
X.XXX: ±0.051 [0.020]

PROPRIETARY NOTE
THIS DOCUMENT CONTAINS CONFIDENTIAL AND PROPRIETARY INFORMATION AND ALL DESIGN, MANUFACTURING, REPRODUCTION, USE, PATENT RIGHTS AND SALES RIGHTS ARE EXPRESSLY RESERVED BY SAMTEC, INC. THIS DOCUMENT SHALL NOT BE DISCLOSED, IN WHOLE OR PART, TO ANY UNAUTHORIZED PERSON OR ENTITY NOR REPRODUCED, TRANSFERRED OR INCORPORATED IN ANY OTHER PROJECT IN ANY MANNER WITHOUT THE EXPRESS WRITTEN CONSENT OF SAMTEC, INC.

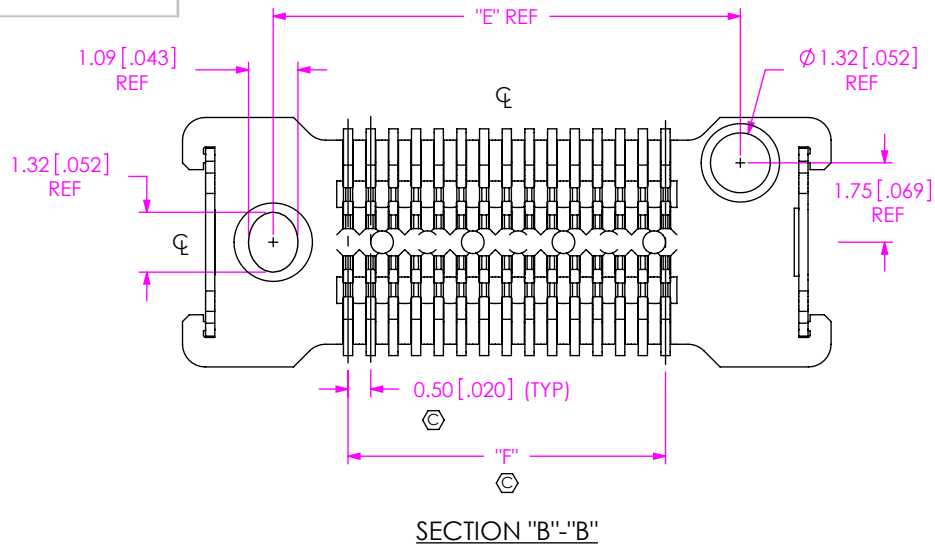
MATERIAL: DO NOT SCALE DRAWING
INSULATOR: LCP, COLOR: BLACK
CONTACT: PHOS BRONZE
WT: PHOS BRONZE

SHEET SCALE: 6:1

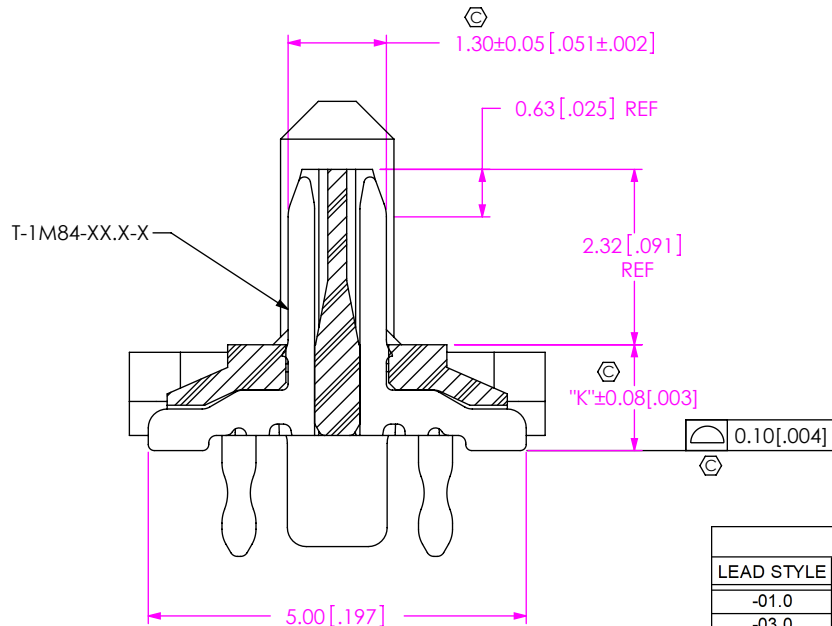


520 PARK EAST BLVD, NEW ALBANY, IN 47150
PHONE: 812-944-6733 FAX: 812-948-5047
e-Mail: info@SAMTEC.com code: 55322

DESCRIPTION:
FT5 TERMINAL ASSEMBLY
DWG. NO.
FT5-XX-XX.X-X-DV-XX-X-XR
BY: R MUSSER 08/04/2009 SHEET 1 OF 3



SECTION "B"-"B"



SECTION "A"-"A"
SCALE 10 : 1

No. OF POS	"A"	"B"	"D"	"E"	"F"	"G"	"H"
-15	14.30 [0.563]	9.90 [0.390]	7.000 [0.2756]	10.30 [0.406]	7.000 [0.2756]	13.08 [0.515]	15.60 [0.614]
-30	21.80 [0.858]	17.40 [0.685]	14.500 [0.5709]	17.80 [0.701]	14.500 [0.5709]	20.58 [0.810]	23.10 [0.909]

LEAD STYLE	"J"	"K"
-01.0	3.72 [0.146]	1.40 [0.055]
-03.0	5.72 [0.225]	3.40 [0.134]
-06.0	8.72 [0.343]	6.40 [0.252]
-08.0	10.72 [0.422]	8.40 [0.331]
-10.0	12.72 [0.501]	10.40 [0.409]

TAIL	LEAD STYLE				
	-01.0	-03.0	-06.0	-08.0	-10.0
-TH	WT-63-01.0-TH-X	WT-63-03.0-TH-X	WT-63-06.0-TH-X	WT-63-08.0-TH-X	WT-63-10.0-TH-X
-SM	WT-63-01.0-SM-X	WT-63-03.0-SM-X	WT-63-06.0-SM-X	WT-63-08.0-SM-X	WT-63-10.0-SM-X

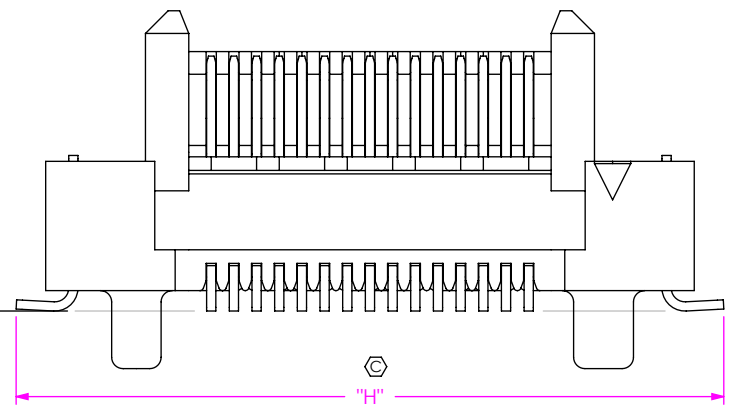
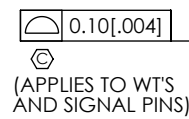
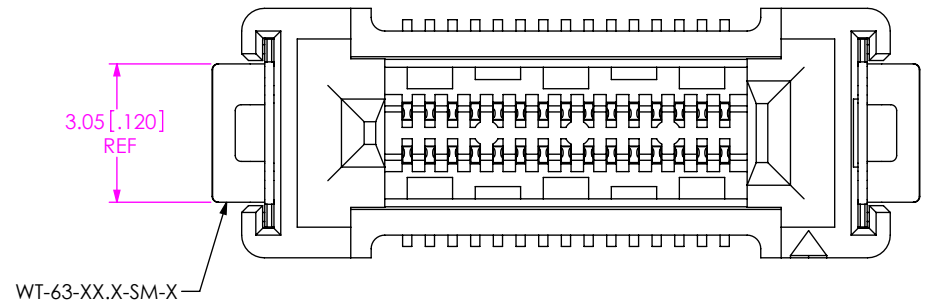


FIG 2
-SM WELD TAB
(FT5-15-03.0-X-DV-SM-X-XR SHOWN)
(SAME AS FIG 1, EXCEPT AS SHOWN)

PROPRIETARY NOTE
THIS DOCUMENT CONTAINS CONFIDENTIAL AND PROPRIETARY INFORMATION AND ALL DESIGN, MANUFACTURING, REPRODUCTION, USE, PATENT RIGHTS AND SALES RIGHTS ARE EXPRESSLY RESERVED BY SAMTEC, INC. THIS DOCUMENT SHALL NOT BE DISCLOSED, IN WHOLE OR PART, TO ANY UNAUTHORIZED PERSON OR ENTITY NOR REPRODUCED, TRANSFERRED OR INCORPORATED IN ANY OTHER PROJECT IN ANY MANNER WITHOUT THE EXPRESS WRITTEN CONSENT OF SAMTEC, INC.

DO NOT SCALE DRAWING

SHEET SCALE: 6:1



520 PARK EAST BLVD, NEW ALBANY, IN 47150
PHONE: 812-944-6733 FAX: 812-948-5047
e-Mail: info@SAMTEC.com code: 55322

DESCRIPTION: FT5 TERMINAL ASSEMBLY

DWG. NO. FT5-XX-XX.X-X-DV-XX-X-XR

BY: R MUSSER 08/04/2009 SHEET 2 OF 3

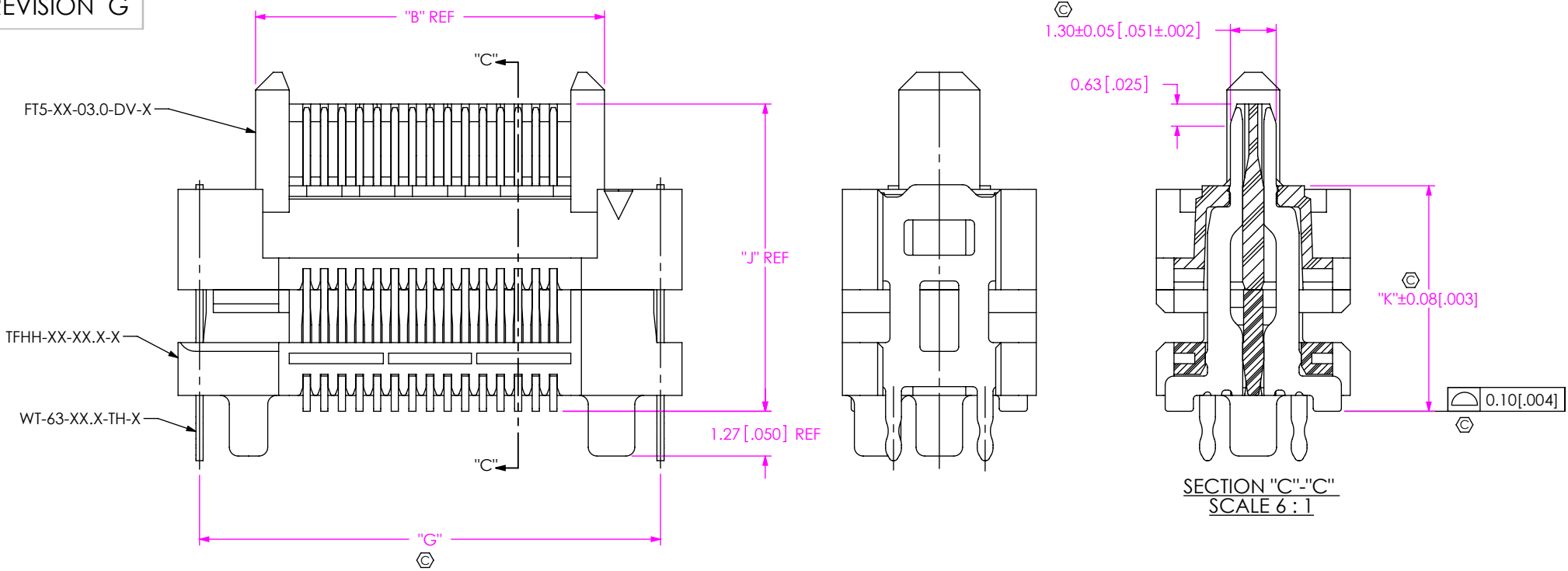


FIG 3
-06.0 THRU -10.0 LEAD STYLES
(FT5-15-06.0-X-DV-TH-X-XR SHOWN)
(SAME AS FIG 1, EXCEPT AS SHOWN)

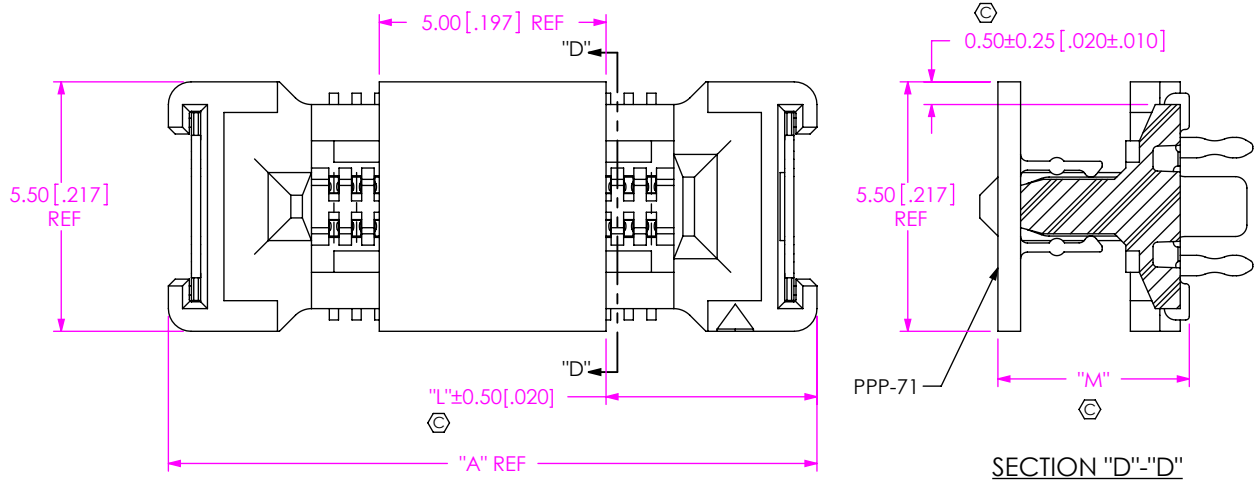


FIG 4
-P: PICK AND PLACE PAD
(FT5-15-01.0-X-DV-TH-P-XR SHOWN)

TABLE 6

No. OF POS	"L"
-15	4.65 [0.183]
-30	8.40 [0.331]

TABLE 7

LEAD STYLE	"M"
-01.0	4.22 [0.166]
-03.0	6.22 [0.245]
-06.0	9.22 [0.363]
-08.0	11.22 [0.442]
-10.0	13.22 [0.520]

PROPRIETARY NOTE
THIS DOCUMENT CONTAINS CONFIDENTIAL AND PROPRIETARY INFORMATION AND ALL DESIGN, MANUFACTURING, REPRODUCTION, USE, PATENT RIGHTS AND SALES RIGHTS ARE EXPRESSLY RESERVED BY SAMTEC, INC. THIS DOCUMENT SHALL NOT BE DISCLOSED, IN WHOLE OR PART, TO ANY UNAUTHORIZED PERSON OR ENTITY NOR REPRODUCED, TRANSFERRED OR INCORPORATED IN ANY OTHER PROJECT IN ANY MANNER WITHOUT THE EXPRESS WRITTEN CONSENT OF SAMTEC, INC.

DO NOT SCALE DRAWING

SHEET SCALE: 6:1



520 PARK EAST BLVD, NEW ALBANY, IN 47150
PHONE: 812-944-6733 FAX: 812-948-5047
e-Mail: info@SAMTEC.com code: 55322

DESCRIPTION:
FT5 TERMINAL ASSEMBLY

DWG. NO.
FT5-XX-XX.X-X-DV-XX-X-XR

BY: R MUSSER 08/04/2009 SHEET 3 OF 3