

For full product information, visit www.sti.com. Use the SpeedSPEC Code for quick access to the specific web page.

Quick-Disconnect Universal Safety Mat System

Heavy-Duty Four-Wire Presence Sensing Mats with Removable Cable, Category 3 Controllers and Perimeter Trim

System

- When UMQ series mats are combined with an MC3, MC4 or MC6 controller (with complete diagnostics), the result is a system that meets the standard EN 1760-1:1998 and is entitled to display the CE mark. See below for an overview of the various components.

UMQ Series Mat

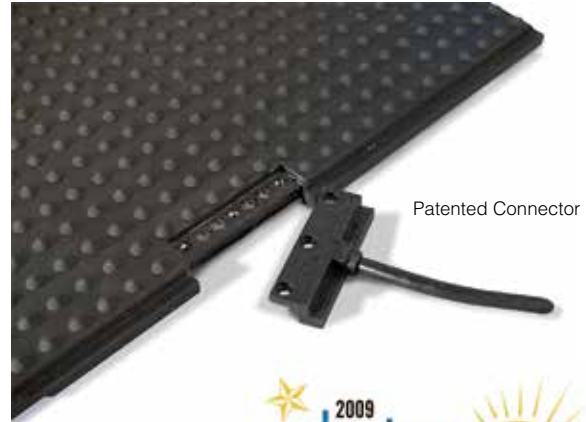
- Fork lift traffic of 270 lbs. per square inch
- IP67 rated
- Mat flammability self extinguishing, meets UL94VO
- Single-piece molded construction
- Black or yellow color
- Damage to cables during installation is eliminated by positioning the cables after mat installation
- Easy cable replacement
- Six cable location options offer the ability to configure where cable exits

Controllers

- Safety category 3 devices
- DIN-rail mount (MC3)
- NEMA controllers (MC4, MC6)
- 24 VDC or with universal power supply 100 to 240 VAC

Trim

- Two-part perimeter and joining trim simplifies installation and provides a custom appearance
- Two options for trim kit corners: Mitered and molded



Patented Connector



Description

A STI Quick-Disconnect Universal Mat system (UMQ series mat combined with an MC3, MC4 or MC6) offers a simple method for guarding personnel around hazardous machines. A Quick-Disconnect Universal Mat system offers freedom, flexibility, and reduced operator fatigue when compared with traditional guarding methods such as interlocked fences, pullback restraints or perimeter barriers.

Full visibility and access to the work area is maintained. There is no need to worry about personnel forgetting to replace mechanical barriers or close gates.

STI UMQ Series safety mat incorporates a design that features a cable quick disconnect located on the mat. This allows the cable to be attached after the mat is installed in order to minimize damage to the cable during installation. The patented connector is designed and tested to meet IP67 requirements.

How the System Works

The operation of a Quick-Disconnect Universal Mat system is easy to understand. The mat is a simple, normally open switch. When a specified minimum weight is applied to the mat the "switch" closes. This sends a signal to the controller which, in turn, sends a stop signal to the guarded machine.

Each mat presents four wires to the controller. This provides the redundancy required to monitor the wiring for open circuits due to incorrect wiring or physical damage to the wires.

In order to meet many national safety regulations, STI offers trim to secure the mat to the floor so that it cannot be easily relocated and therefore become ineffective.

 Select models are available for Rapid Delivery.

Visit this product on www.sti.com for details.

Mat Specifications

Mechanical	
Mat Cover Material:	PVC
Mat Type:	Normally open SPST, four-wire
Mode:	Pressure Sensitive
Activation Force:	Detects adults > 30 kg (66 lbs) (8.5 lbs/in. ²)
Maximum Load:	Static Load: 122.5 kg/in. ² (270 lbs/in. ²)
	Rolling Load: 122.5 kg/in. ² (270 lbs/in. ²)
Mechanical Life:	1 x 10 ⁶ operations
Mat Cable:	18-gauge, 4-conductor, 16-strand, 300 VAC, with MC12DC male single key connector; 5 m or 10 m long
Mat Weight:	Approx. 24.4 kg/m ² (5 lbs/ft. ²)
Environmental	
Protection:	IP67
Operating Temperature:	-37 to 66°C (-35 to 150° F)
Mat Flammability:	Self extinguishing, meets UL 94VO
Operating Humidity:	0-100% RH
Mat Chemical Resistance*:	Water: Excellent
	Mineral Acids: Good/Excellent
	Organic Acids: Good/Excellent
	Alcohols: Good
	Aldehydes: Good/Excellent
	Caustics: Good/Excellent
	Petroleum Solvents: Good
	Organic Solvents: Poor
	Chlorinated Solvents: Poor
*40 minute exposure at 23°C (74°F)	
Compliance	
Conforming to Standards:	ANSI/RIA 15.06-1999 (R2009), ANSI B11.19-2010, OSHA 1910.21(b), CSA Z432-04
Approvals:	When used with an MC3, MC4 or MC6 controller the UMQ series safety mats comprise a system which has been EC type examined to the requirements of category 3, EN 13849-1 and EN1760-1:1998.



For specifications and dimensions on the MC Controllers, see page F-12

F

Specifications are subject to change without notice.

Mat Selection

Multiple UMQ series mat sizes are offered. A system can easily be configured to meet almost any guarding requirement.

Standard Mat Sizes	
Widths	12 to 48 in.
Lengths	12 to 72 in.
Metric Mat Sizes	
Widths	500 to 1200 mm
Lengths	500 to 1800 mm
Custom Mat Sizes	
Widths	From 8 in. up to 48 in. (0.5 in. increments)
Lengths	From 8 in. up to 72 in. (0.5 in. increments)



For specific mat sizes, see page F-10

 Select models are available for Rapid Delivery.

Visit this product on www.sti.com for details.

Trim Selection

Several choices are available in trim selection and can be customized to a specific application.

Two-Part Ramp Trim with Yellow PVC Cover

This trim simplifies routing of cables and replacement of damaged mats. To position the mats correctly, place all of the mats in the approximate position, place the joining trim between the mats, then temporarily place the cover on the joining trim. Square the mats by sliding the ramp trim under the mats. When all of the mats are correctly positioned, anchor the perimeter trim to the floor. After the wires have been routed, a rugged cover of highly visible, safety yellow PVC is snapped into place. Corners can either be mitered or be our exclusive molded corners. (See illustrations on this page.)

Two-Part Ramp Trim with Aluminum Cover

This trim is the same as above except that the PVC cover is replaced with an aluminum cover that is attached by screws to the base. (See the Dimensions Section of this datasheet for details.)

Two-Part Active Joining Trim

Similar in concept to the two-part ramp trim, this trim provides an "active" joint where the perimeters of two mats adjoin each other. When a person steps on the surface cover of the active joining trim, the Universal Mat system will detect their presence and send a stop signal to the guarded machine.

Aluminum Blunt Trim

Used to finish off the edge of a mat installation near a wall or machine. Helps hold mats in place.

Aluminum Ramp Trim

This single part aluminum ramp trim is available for areas where the two part ramp trim may not be suitable.

Molded Corners

Eliminates the need to miter the corners of perimeter trim. Designed to mate with STI two-part ramp trim.

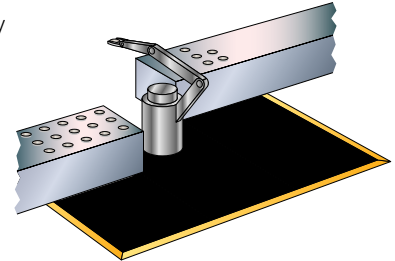
Applications

Presence sensing safety mats are used to monitor an entire hazardous area. They offer flexibility, quick access and may frequently be the most economic choice. Other options for perimeter guarding include interlocked barrier guards and safety light curtains. However, personnel can become trapped inside a barrier guard and safety light curtains only monitor the perimeter, not the hazardous area inside.

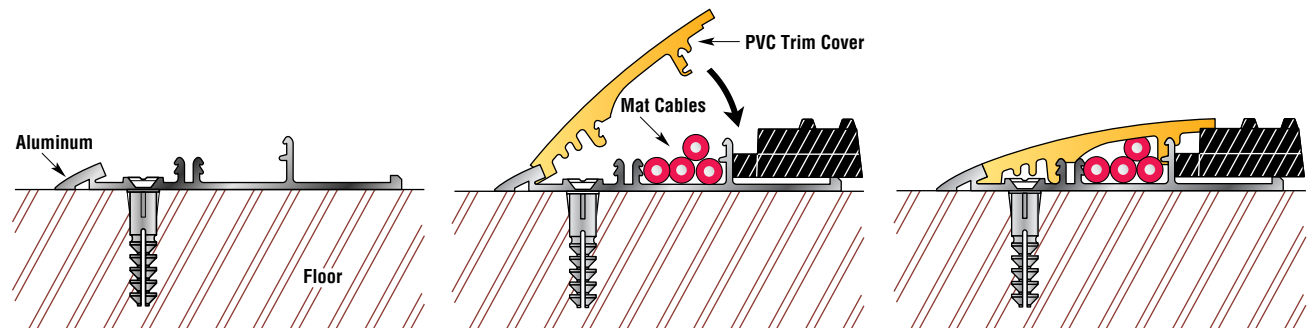
Additionally, mats can also simplify routine tasks such as machine setup, maintenance and repair.

Applications can be found throughout industry and typically include the following areas:

- Welding Robots
- Assembly Machinery
- Material Handling
- Packaging Machinery
- Punches
- Presses
- Robotic Work Cells



F



 Select models are available for Rapid Delivery.

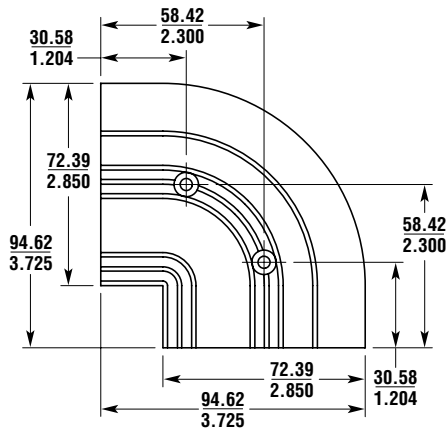
Visit this product on www.sti.com for details.

Trim Dimensions

(mm/in.)

Outside Molded Corner Trim

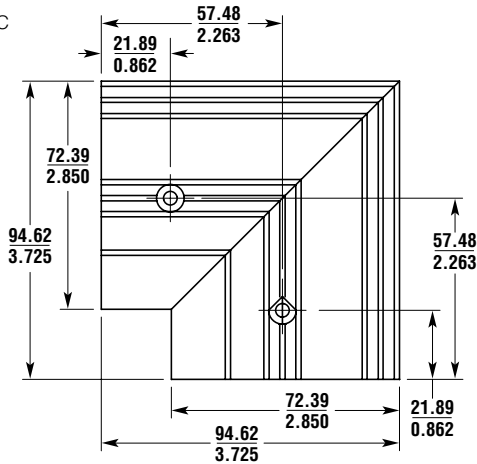
Model UMOC



Molded Outside Corner: PN 25836

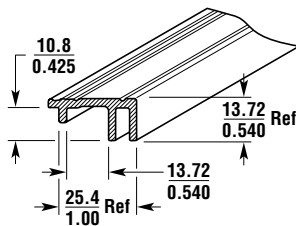
Inside Molded Corner Trim

Model UMIC



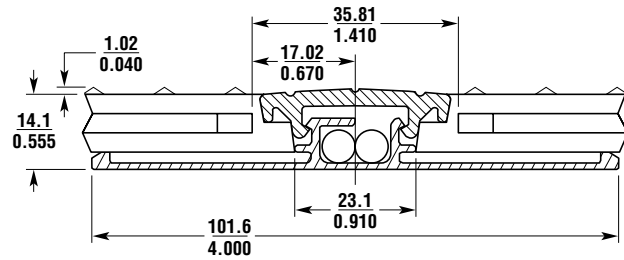
Molded Inside Corner: PN 25837

Blunt Trim



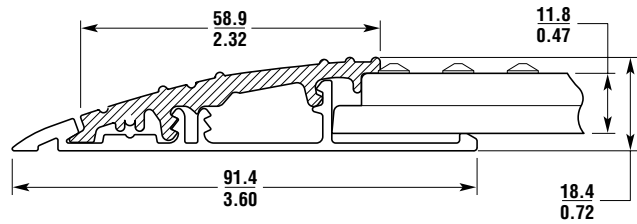
Blunt Trim: PN 43223-0096

2-Part Joining Trim (Base and Cover)



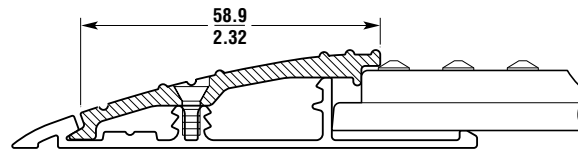
2-Part Joining Trim: PN 43222-0096
 Joining Trim Aluminum Base: PN 32592
 Joining Trim Cover Black: PN 32591
 Joining Trim Cover Yellow: PN 32591-0010

2-Part Ramp Trim with PVC Cover (TKM)



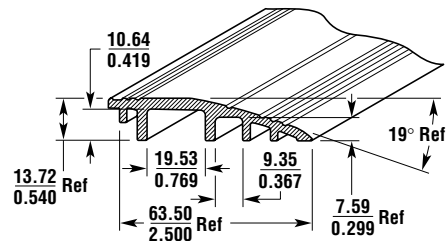
Aluminum Base & PVC Cover: PN 43123-0096
 Aluminum Base: PN 32667
 PVC Cover: PN 32668

2-Part Ramp Trim with Aluminum Cover (TKAT)



Aluminum Base & Aluminum Cover: PN 43123-1096
 Aluminum Base: PN 32667
 Aluminum Cover: PN 26441

Aluminum Single Part Ramp Trim (TKA)



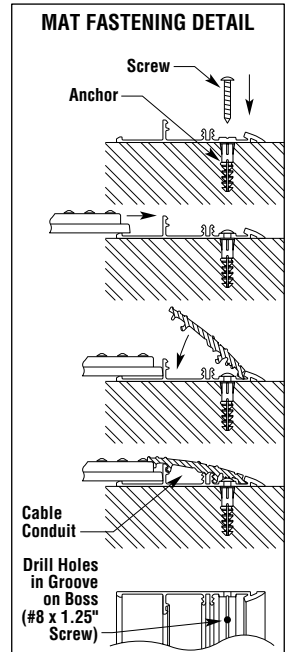
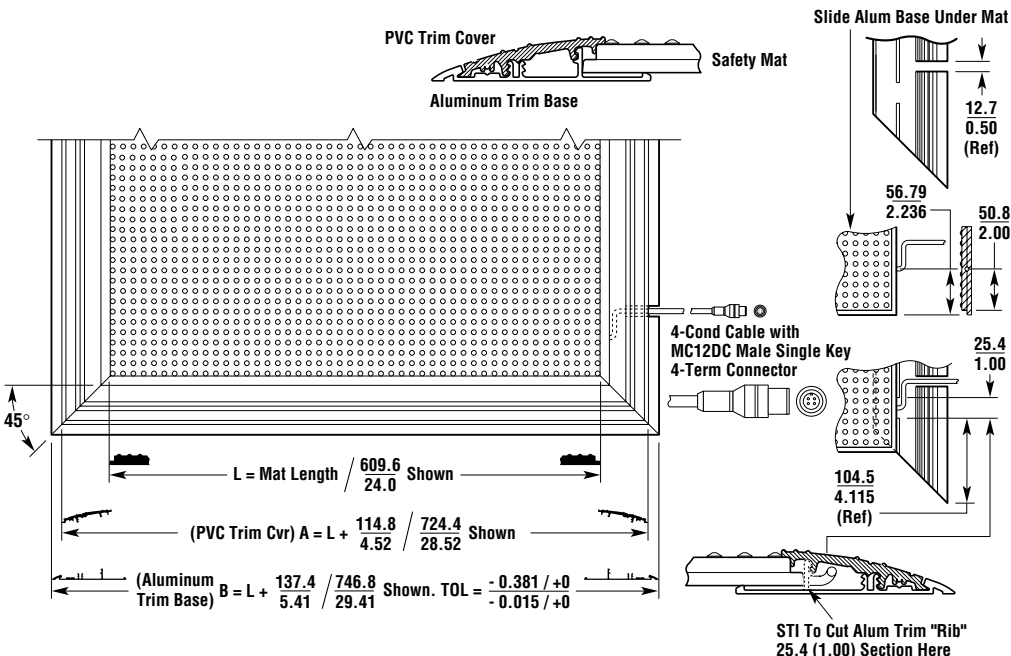
Aluminum Ramp Trim: PN 43224-0096

Select models are available for Rapid Delivery.

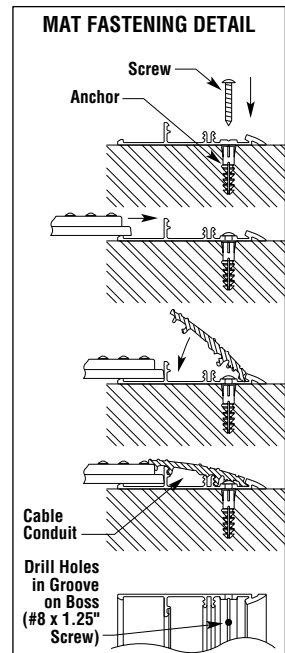
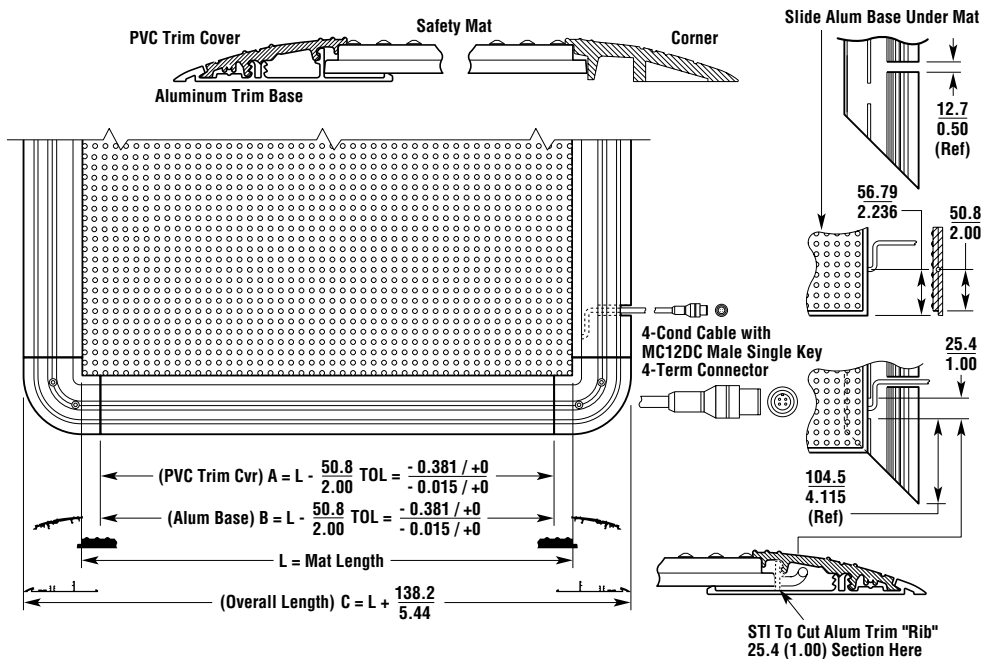
Visit this product on www.sti.com for details.

Mat Dimensions

Two-Part Trim with PVC Cover and Mitered Corners (TKM)



Two-Part Trim with PVC Cover and Molded Corners (TKC)



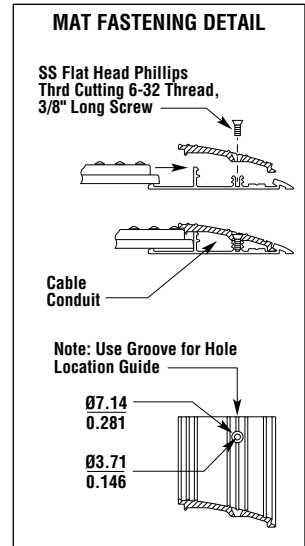
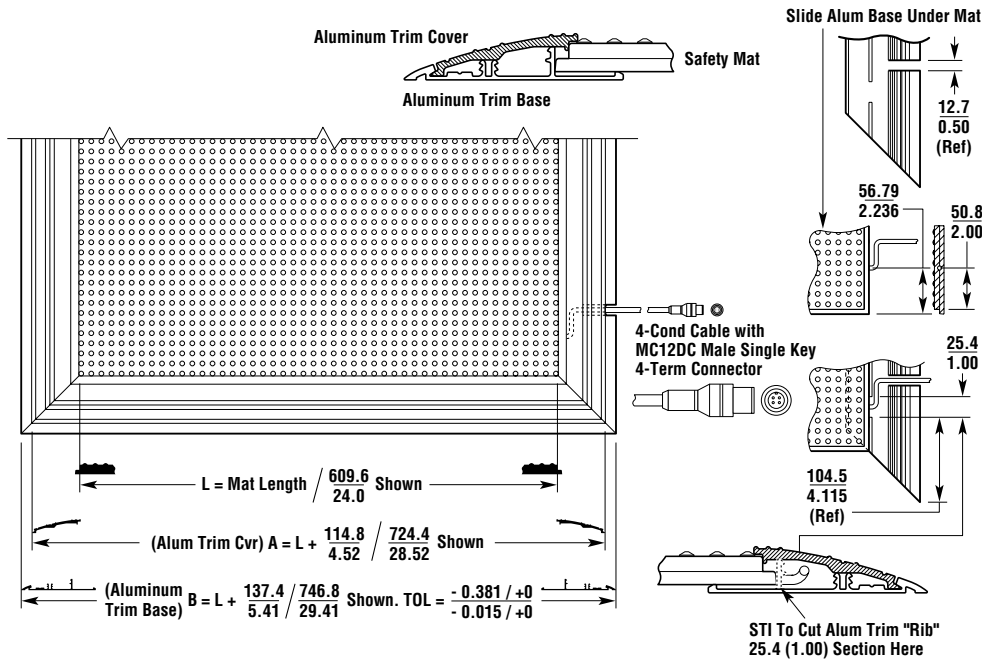
Select models are available for Rapid Delivery.

Visit this product on www.sti.com for details.

Mat Dimensions (continued)

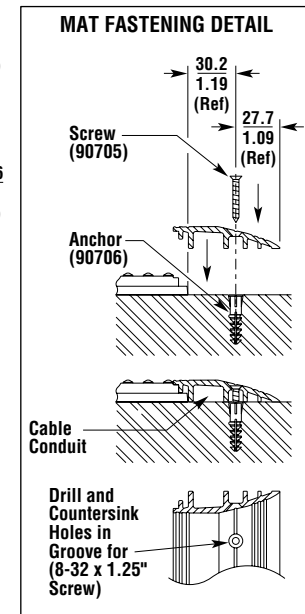
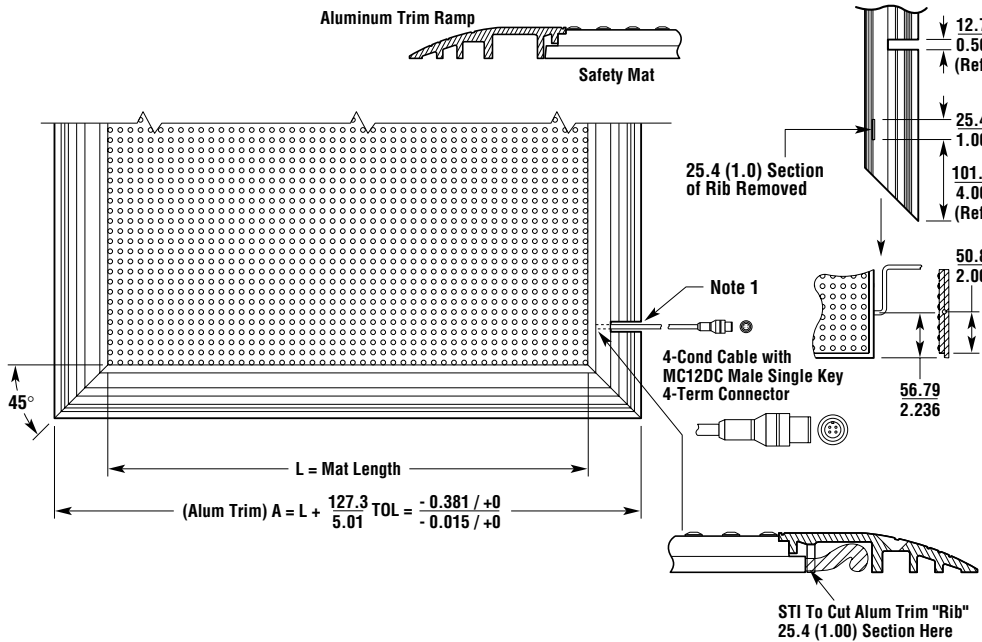
(mm/in.)

Two-Part Trim with Aluminum Cover and Mitered Corners (TKAT)



F

Single-Part Trim Aluminum Trim (TKA)



Select models are available for Rapid Delivery.

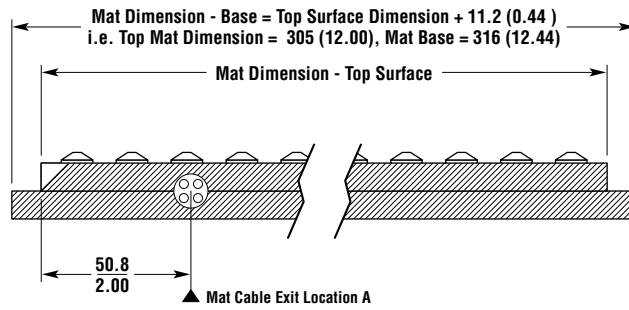
Visit this product on www.sti.com for details.



www.sti.com/info



Mat Measurement

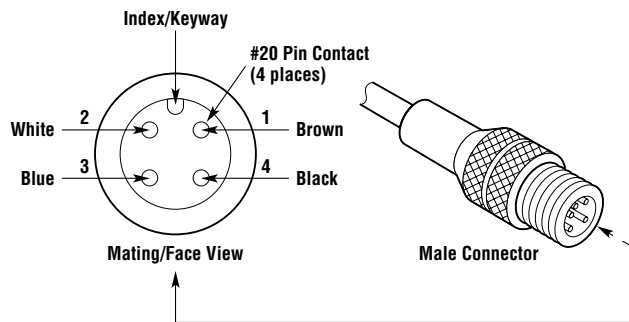


Mat Cable exits on the side indicated by the first dimension in the model number
i.e. UM5-1254, Cable exits 12" dimension
i.e. UM5-4824, Cable exits 48" dimension

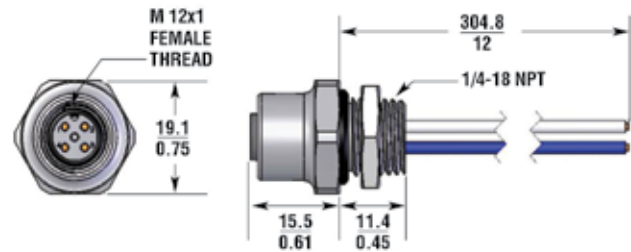
F

Pin Out Connector

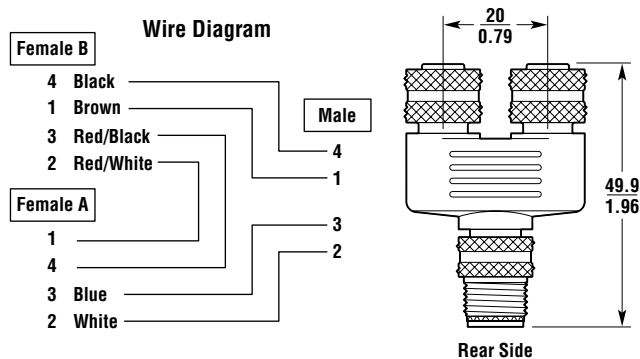
UMQ5, UMQ10, Integral UM Mat Cables



UMPMC



UM-Y-2-1 "Y" Connector



Select models are available for Rapid Delivery.

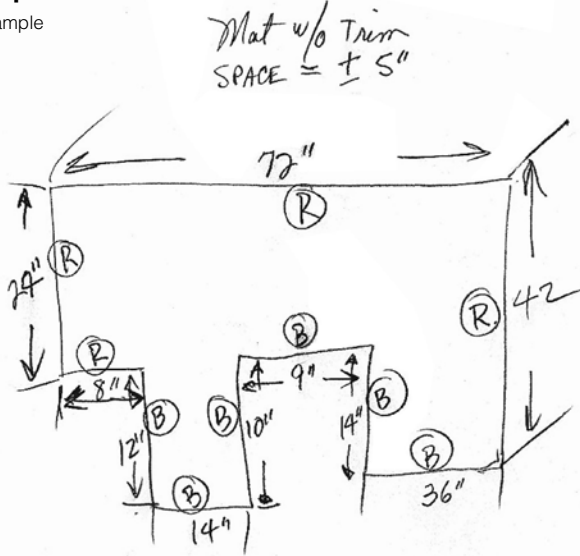
Visit this product on www.sti.com for details.

Custom Mats and Trims

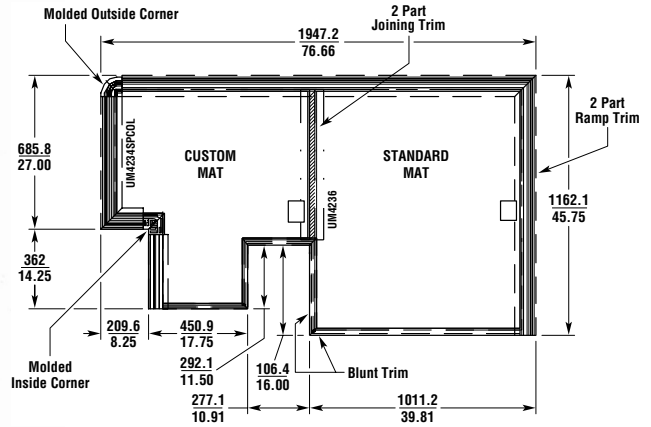
Omron makes ordering custom mats and trims easy. Simply send us a sketch of your layout including dimensions. Make note of where you want ramp trim or blunt trim. We'll work from your sketch to create a detailed drawing of your specifications.

Step 1: Customer Sends a Sketch

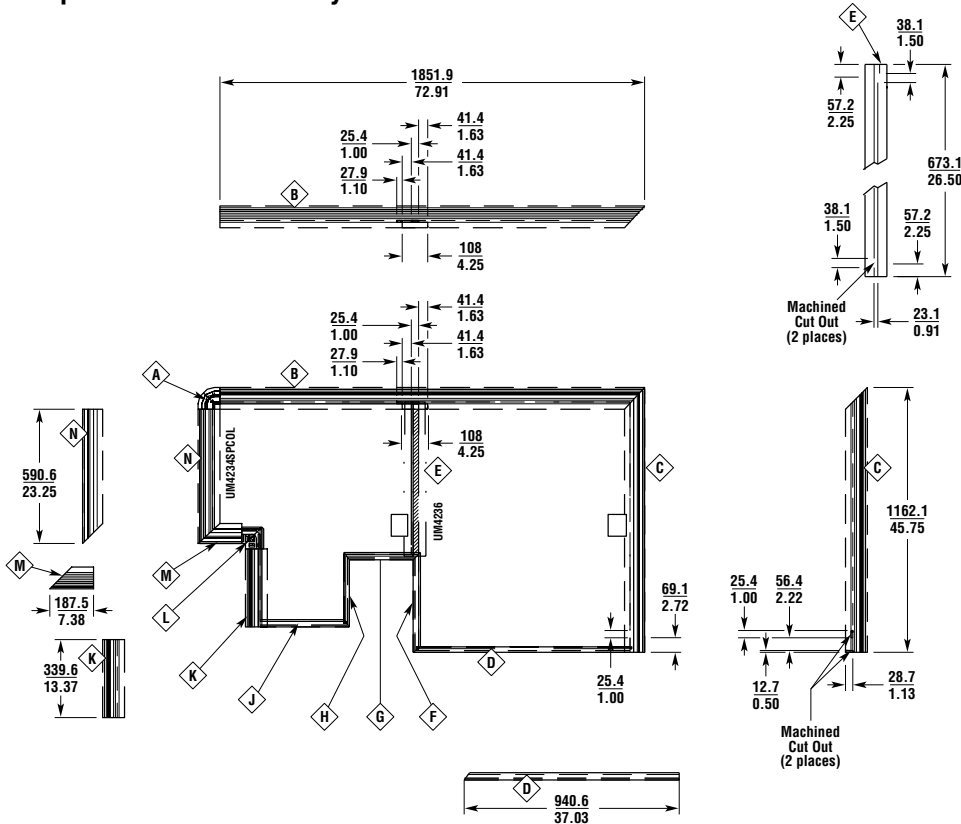
Example



Step 2: A Quote Drawing with Dimensions is Created



Step 3: When the Order is Placed, A Detailed Layout Showing all Components of the Trim System is Made



Select models are available for Rapid Delivery.

Visit this product on www.sti.com for details.



www.sti.com/info



Ordering

Ordering a UMQ Mat System

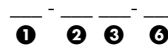
A Quick Disconnect Universal Mat System contains at least one mat, a 5 m or 10 m cable, sufficient perimeter and joining trim and a controller. For multiple mat installations using the MC3 controller, the mats are connected in series to the controller. This may be done using the UMDB-6 wiring accessory. When using the MC4 or MC6 controllers, six mats may be connected directly to the controller.

Each component of Quick Disconnect Universal Mat system must be ordered individually

Mats are available in black or yellow. Yellow mats are denoted by placing a "Y" in the ordering code. The cable location is specified by letter code at the end of the ordering number. Cables must be ordered separately.

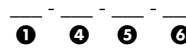
To order a Quick-Disconnect Universal Mat System, simply fill in the fields in the model number sequence given.

Standard Mat Ordering Code:



Example: UMQ-2460-A
This example is a 24 x 60 in. standard black mat with cable location A.

Metric Mat Ordering Code:



Example: UMMQ-0500-0500-B
This example is a 500 x 500 mm black metric quick disconnect mat with cable coming out at location B.

① Information required. Represents mat type and color.

Designator	Description
UMQ	Standard black mat
UMYQ	Standard yellow mat*
UMMQ	Metric black mat
UMMYQ	Metric yellow mat*

Notes: *Mats will take the largest dimension as the first dimension up to the 48 in. width (i.e. a mat ordered as 36 x 48 will be made as 48 x 36).

②③④⑤ Information required. Represents the mat size. Dimensions are for active mat area. Mats are an additional 0.5 in. (12 mm) in each dimension. Choose one value from each column.

② Standard Mat Widths in Inches Designator	③ Standard Mat Lengths in Inches Designator
12	12
18	18
24	24
30	30
36	36
42	42
48	48
	54
	60
	66
	72
Special Standard Sizes*	
Special inch sizes are available in increments of 0.5 in., with a minimum width or length of 8 in.	

④ Metric Mat Widths in mm Designator	⑤ Metric Mat Lengths in mm Designator
0500 (500 mm/19.7 in.)	0500 (500 mm/19.7 in.)
0750 (750 mm/29.5 in.)	0750 (750 mm/29.5 in.)
1000 (1000 mm/39.4 in.)	1000 (1000 mm/39.4 in.)
1200 (1200 mm/47.2 in.)	1250 (1250 mm/49.2 in.)
	1500 (1500 mm/59.1 in.)
	1750 (1750 mm/68.9 in.)
	1800 (1800 mm/70.9 in.)

*Please consult Omron for mat sizes not listed in the above tables.

F

UM Mats vs. UMQ Mats



Prior to the development of the UMQ Mat with Quick-Disconnect cable, the **UM Series Mat** was the standard mat supplied by Omron. The UM Mats are available with integral cables in 5 m or 10 m lengths. These integral cables are not removable. UM mats are still available and can be ordered in black or yellow with required perimeter and joining trim.



For detailed specifications and ordering information on the Universal Mat System, please visit our website at www.sti.com and enter 'UM' in the SpeedSPEC search box.

Select models are available for Rapid Delivery.

Visit this product on www.sti.com for details.

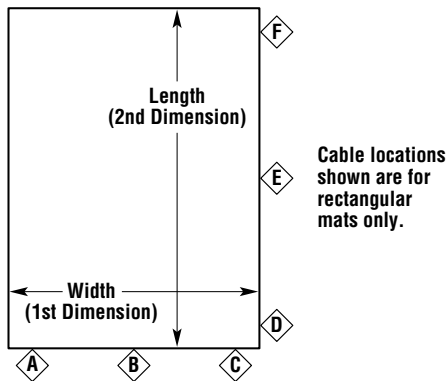


Ordering (continued)

⑥ Information required. Represents cable location. See diagram below.

Cable Location	Description
A	Bottom left corner of first mat dimension, 2 in. from top surface of the left edge to center of cable exit
B	Bottom center of first mat dimension
C	Bottom right corner of first mat dimension, 2 in. from top surface of the right edge to center of cable exit
D	Bottom right corner of second mat dimension, 2 in. from top surface of the bottom edge to center of cable exit
E	Center of second mat dimension
F	Top right corner of second mat dimension, 2 in. from top surface of the top edge to center of cable exit

Notes: Mats with both dimensions equal will only have "A", "B", and "C" cable locations available.



Ordering Perimeter Trim for a Single Mat**

To order Perimeter Trim for a single mat, simply fill in the fields in the model number sequence given below.

Standard Perimeter Trim Ordering Code:

___ - ___ - ___ - ___
7 2 3 6

Example: TKM-1266-E

This example is a trim kit with mitered corners to fit a 12 x 66 in. standard mat with cable coming out at location E.

Metric Perimeter Trim Ordering Code:

___ - ___ - ___ - ___
7 4 5 6

Example: MTKM-0500-0500-E

This example is a trim kit with mitered corners to fit a 500 x 500 mm metric quick disconnect mat with cable coming out at location E.

⑦ Information required. Represents the corner style used on the trim kits.

Designator	Description
TKM	Standard trim kit, 2-part mitered corners with PVC top cover
TKAT	Standard trim kit, 2-part mitered corners with aluminum top cover
TKC	Standard trim kit, 2-part with molded corners with PVC top cover
TKA	Standard trim kit, single part aluminum ramp trim (mitered only)
MTKM	Metric trim kit with mitered corners
MTKC	Metric trim kit with molded corners

MTKAT is available upon request.

F

Accessories for Standard and Metric Sized Mats

Model Number	Description	Weight
UMRT4	Bulk two-part ramp trim with yellow PVC cover 1.22 m (48 in.) length	1.5 kg (3.3 lb.)
UMRT8	Bulk two-part ramp trim with yellow PVC cover 2.44 m (96 in.) length	3.0 kg (6.6 lb.)
UMRT8A	Bulk two-part ramp trim with aluminum top 2.44 m (96 in.) length	3.2 kg (7.0 lb.)
UMJS4	Bulk two-part active joining trim 1.22 m (48 in.) length	1.4 kg (3.0 lb.)
UMJS8	Bulk two-part active joining trim 2.44 m (96 in.) length	2.7 kg (6.0 lb.)
UMJTC8Y	Bulk joining trim cover yellow 2.44 m (96 in.)	0.5 kg (1.0 lb.)
UMBT4	Bulk blunt trim 1.22 m (48 in.) length	1.1 kg (2.5 lb.)
UMBT8	Bulk blunt trim 2.44 m (96 in.) length	2.3 kg (5.0 lb.)
UMAL	Bulk aluminum ramp trim 2.44 m (96 in.)	2.9 kg (6.5 lb.)
UMOC	Molded outside corner	
UMIC	Molded inside corner	
UMDB-6	Universal Safety Mat distribution box with 6 mat input connectors and one output connection to the controller	
UMEC-03	3 m (9 ft.) extension cable for mat or UMDB-6	
UMEC-05	5 m (16 ft.) extension cable for mat or UMDB-6	
UMEC-10	10 m (32 ft.) extension cable for mat or UMDB-6	
UMEC-15	15 m (49 ft.) extension cable for mat or UMDB-6	
UMPMC	Panel-mount connector. Allows the controller to accept quick disconnect cable from UM series mats.	
UM4PRC	4-pin male QD field replacement connector for mat cables	
UM-Y-2-1	"Y" connector, internally connected to allow 2 mats to 1 input to controller or connector	
UMQ5	5 m quick-disconnect cable	
UMQ10	10 m quick-disconnect cable	

For specifications and dimensions on the MC Controllers, see page F-12

For details on ordering a custom safety mat, see page F-9

For details on ordering a trim kit for a multiple configuration mat, please consult Omron.

Select models are available for Rapid Delivery.

Visit this product on www.sti.com for details.

Terms and Conditions of Sale

1. **Offer; Acceptance.** These terms and conditions (these "Terms") are deemed part of all quotes, agreements, purchase orders, acknowledgments, price lists, catalogs, manuals, brochures and other documents, whether electronic or in writing, relating to the sale of products or services (collectively, the "Products") by Omron Electronics LLC and its subsidiary companies ("Omron"). Omron objects to any terms or conditions proposed in Buyer's purchase order or other documents which are inconsistent with, or in addition to, these Terms.
2. **Prices; Payment Terms.** All prices stated are current, subject to change without notice by Omron. Omron reserves the right to increase or decrease prices on any unshipped portions of outstanding orders. Payments for Products are due net 30 days unless otherwise stated in the invoice.
3. **Discounts.** Cash discounts, if any, will apply only on the net amount of invoices sent to Buyer after deducting transportation charges, taxes and duties, and will be allowed only if (i) the invoice is paid according to Omron's payment terms and (ii) Buyer has no past due amounts.
4. **Interest.** Omron, at its option, may charge Buyer 1-1/2% interest per month or the maximum legal rate, whichever is less, on any balance not paid within the stated terms.
5. **Orders.** Omron will accept no order less than \$200 net billing.
6. **Governmental Approvals.** Buyer shall be responsible for, and shall bear all costs involved in, obtaining any government approvals required for the importation or sale of the Products.
7. **Taxes.** All taxes, duties and other governmental charges (other than general real property and income taxes), including any interest or penalties thereon, imposed directly or indirectly on Omron or required to be collected directly or indirectly by Omron for the manufacture, production, sale, delivery, importation, consumption or use of the Products sold hereunder (including customs duties and sales, excise, use, turnover and license taxes) shall be charged to and remitted by Buyer to Omron.
8. **Financial.** If the financial position of Buyer at any time becomes unsatisfactory to Omron, Omron reserves the right to stop shipments or require satisfactory security or payment in advance. If Buyer fails to make payment or otherwise comply with these Terms or any related agreement, Omron may (without liability and in addition to other remedies) cancel any unshipped portion of Products sold hereunder and stop any Products in transit until Buyer pays all amounts, including amounts payable hereunder, whether or not then due, which are owing to it by Buyer. Buyer shall in any event remain liable for all unpaid accounts.
9. **Cancellation; Etc.** Orders are not subject to rescheduling or cancellation unless Buyer indemnifies Omron against all related costs or expenses.
10. **Force Majeure.** Omron shall not be liable for any delay or failure in delivery resulting from causes beyond its control, including earthquakes, fires, floods, strikes or other labor disputes, shortage of labor or materials, accidents to machinery, acts of sabotage, riots, delay in or lack of transportation or the requirements of any government authority.
11. **Shipping; Delivery.** Unless otherwise expressly agreed in writing by Omron:
 - a. Shipments shall be by a carrier selected by Omron; Omron will not drop ship except in "break down" situations.
 - b. Such carrier shall act as the agent of Buyer and delivery to such carrier shall constitute delivery to Buyer;
 - c. All sales and shipments of Products shall be FOB shipping point (unless otherwise stated in writing by Omron), at which point title and risk of loss shall pass from Omron to Buyer; provided that Omron shall retain a security interest in the Products until the full purchase price is paid;
 - d. Delivery and shipping dates are estimates only; and
 - e. Omron will package Products as it deems proper for protection against normal handling and extra charges apply to special conditions.
12. **Claims.** Any claim by Buyer against Omron for shortage or damage to the Products occurring before delivery to the carrier must be presented in writing to Omron within 30 days of receipt of shipment and include the original transportation bill signed by the carrier noting that the carrier received the Products from Omron in the condition claimed.
13. **Warranties.** (a) **Exclusive Warranty.** Omron's exclusive warranty is that the Products will be free from defects in materials and workmanship for a period of twelve months from the date of sale by Omron (or such other period expressed in writing by Omron). Omron disclaims all other warranties, express or implied. (b) **Limitations.** OMRON MAKES NO WARRANTY OR REPRESENTATION, EXPRESS OR IMPLIED, ABOUT NON-INFRINGEMENT, MERCHANTABILITY OR FITNESS FOR A PARTICULAR PURPOSE OF THE PRODUCTS. BUYER ACKNOWLEDGES THAT IT ALONE HAS DETERMINED THAT THE PRODUCTS WILL SUITABLY MEET THE REQUIREMENTS OF THEIR INTENDED USE. Omron further disclaims all warranties and responsibility of any type for claims or expenses based on infringement by the Products or otherwise of any intellectual property right. (c) **Buyer Remedy.** Omron's sole obligation hereunder shall be, at Omron's election, to (i) replace (in the form originally shipped with Buyer responsible for labor charges for removal or replacement thereof) the non-complying Product, (ii) repair the non-complying Product, or (iii) repay or credit Buyer an amount equal to the purchase price of the non-complying Product; provided that in no event shall Omron be responsible for warranty, repair, indemnity or any other claims or expenses regarding the Products unless Omron's analysis confirms that the Products were properly handled, stored, installed and maintained and not subject to contamination, abuse, misuse or inappropriate modification. Return of any Products by Buyer must be approved in writing by Omron before shipment. Omron Companies shall not be liable for the suitability or unsuitability or the results from the use of Products in combination with any electrical or electronic components, circuits, system assemblies or any other materials or substances or environments. Any advice, recommendations or information given orally or in writing, are not to be construed as an amendment or addition to the above warranty. See <http://www.omron247.com> or contact your Omron representative for published information.
14. **Limitation on Liability; Etc.** OMRON COMPANIES SHALL NOT BE LIABLE FOR SPECIAL, INDIRECT, INCIDENTAL, OR CONSEQUENTIAL DAMAGES, LOSS OF PROFITS OR PRODUCTION OR COMMERCIAL LOSS IN ANY WAY CONNECTED WITH THE PRODUCTS, WHETHER SUCH CLAIM IS BASED IN CONTRACT, WARRANTY, NEGLIGENCE OR STRICT LIABILITY. Further, in no event shall liability of Omron Companies exceed the individual price of the Product on which liability is asserted.
15. **Indemnities.** Buyer shall indemnify and hold harmless Omron Companies and their employees from and against all liabilities, losses, claims, costs and expenses (including attorney's fees and expenses) related to any claim, investigation, litigation or proceeding (whether or not Omron is a party) which arises or is alleged to arise from Buyer's acts or omissions under these Terms or in any way with respect to the Products. Without limiting the foregoing, Buyer (at its own expense) shall indemnify and hold harmless Omron and defend or settle any action brought against such Companies to the extent based on a claim that any Product made to Buyer specifications infringed intellectual property rights of another party.
16. **Property; Confidentiality.** Any intellectual property in the Products is the exclusive property of Omron Companies and Buyer shall not attempt to duplicate it in any way without the written permission of Omron. Notwithstanding any charges to Buyer for engineering or tooling, all engineering and tooling shall remain the exclusive property of Omron. All information and materials supplied by Omron to Buyer relating to the Products are confidential and proprietary, and Buyer shall limit distribution thereof to its trusted employees and strictly prevent disclosure to any third party.
17. **Export Controls.** Buyer shall comply with all applicable laws, regulations and licenses regarding (i) export of products or information; (iii) sale of products to "forbidden" or other proscribed persons; and (ii) disclosure to non-citizens of regulated technology or information.
18. **Miscellaneous.** (a) **Waiver.** No failure or delay by Omron in exercising any right and no course of dealing between Buyer and Omron shall operate as a waiver of rights by Omron. (b) **Assignment.** Buyer may not assign its rights hereunder without Omron's written consent. (c) **Law.** These Terms are governed by the law of the jurisdiction of the home office of the Omron company from which Buyer is purchasing the Products (without regard to conflict of law principles). (d) **Amendment.** These Terms constitute the entire agreement between Buyer and Omron relating to the Products, and no provision may be changed or waived unless in writing signed by the parties. (e) **Severability.** If any provision hereof is rendered ineffective or invalid, such provision shall not invalidate any other provision. (f) **Setoff.** Buyer shall have no right to set off any amounts against the amount owing in respect of this invoice. (g) **Definitions.** As used herein, "including" means "including without limitation"; and "Omron Companies" (or similar words) mean Omron Corporation and any direct or indirect subsidiary or affiliate thereof.

Certain Precautions on Specifications and Use

1. **Suitability of Use.** Omron Companies shall not be responsible for conformity with any standards, codes or regulations which apply to the combination of the Product in the Buyer's application or use of the Product. At Buyer's request, Omron will provide applicable third party certification documents identifying ratings and limitations of use which apply to the Product. This information by itself is not sufficient for a complete determination of the suitability of the Product in combination with the end product, machine, system, or other application or use. Buyer shall be solely responsible for determining appropriateness of the particular Product with respect to Buyer's application, product or system. Buyer shall take application responsibility in all cases but the following is a non-exhaustive list of applications for which particular attention must be given:
 - (i) Outdoor use, uses involving potential chemical contamination or electrical interference, or conditions or uses not described in this document.
 - (ii) Use in consumer products or any use in significant quantities.
 - (iii) Energy control systems, combustion systems, railroad systems, aviation systems, medical equipment, amusement machines, vehicles, safety equipment, and installations subject to separate industry or government regulations.
 - (iv) Systems, machines and equipment that could present a risk to life or property. Please know and observe all prohibitions of use applicable to this Product.

NEVER USE THE PRODUCT FOR AN APPLICATION INVOLVING SERIOUS RISK TO LIFE OR PROPERTY OR IN LARGE QUANTITIES WITHOUT ENSURING THAT THE SYSTEM AS A WHOLE HAS BEEN DESIGNED TO ADDRESS THE RISKS, AND THAT THE OMRON'S PRODUCT IS PROPERLY RATED AND INSTALLED FOR THE INTENDED USE WITHIN THE OVERALL EQUIPMENT OR SYSTEM.
2. **Programmable Products.** Omron Companies shall not be responsible for the user's programming of a programmable Product, or any consequence thereof.
3. **Performance Data.** Data presented in Omron Company websites, catalogs and other materials is provided as a guide for the user in determining suitability and does not constitute a warranty. It may represent the result of Omron's test conditions, and the user must correlate it to actual application requirements. Actual performance is subject to the Omron's Warranty and Limitations of Liability.
4. **Change in Specifications.** Product specifications and accessories may be changed at any time based on improvements and other reasons. It is our practice to change part numbers when published ratings or features are changed, or when significant construction changes are made. However, some specifications of the Product may be changed without any notice. When in doubt, special part numbers may be assigned to fix or establish key specifications for your application. Please consult with your Omron's representative at any time to confirm actual specifications of purchased Product.
5. **Errors and Omissions.** Information presented by Omron Companies has been checked and is believed to be accurate; however, no responsibility is assumed for clerical, typographical or proofreading errors or omissions.

OMRON AUTOMATION AND SAFETY • THE AMERICAS HEADQUARTERS • Chicago, IL USA • 847.843.7900 • 800.556.6766 • www.omron247.com

OMRON CANADA, INC. • HEAD OFFICE

Toronto, ON, Canada • 416.286.6465 • 866.986.6766 • www.omron247.com

OMRON ELECTRONICS DE MEXICO • HEAD OFFICE

México DF • 52.55.59.01.43.00 • 01-800-226-6766 • mela@omron.com

OMRON ELECTRONICS DE MEXICO • SALES OFFICE

Apodaca, N.L. • 52.81.11.56.99.20 • 01-800-226-6766 • mela@omron.com

OMRON ELETRÔNICA DO BRASIL LTDA • HEAD OFFICE

São Paulo, SP, Brasil • 55.11.2101.6300 • www.omron.com.br

OMRON ARGENTINA • SALES OFFICE

Cono Sur • 54.11.4783.5300

OMRON CHILE • SALES OFFICE

Santiago • 56.9.9917.3920

OTHER OMRON LATIN AMERICA SALES

54.11.4783.5300

OMRON EUROPE B.V. • Wegalaan 67-69, NL-2132 JD, Hoofddorp, The Netherlands. • +31 (0) 23 568 13 00 • www.industrial.omron.eu

Authorized Distributor:

Automation Control Systems

- Machine Automation Controllers (MAC) • Programmable Controllers (PLC)
- Operator interfaces (HMI) • Distributed I/O • Software

Drives & Motion Controls

- Servo & AC Drives • Motion Controllers & Encoders

Temperature & Process Controllers

- Single and Multi-loop Controllers

Sensors & Vision

- Proximity Sensors • Photoelectric Sensors • Fiber-Optic Sensors
- Amplified Photomicrosensors • Measurement Sensors
- Ultrasonic Sensors • Vision Sensors

Industrial Components

- RFID/Code Readers • Relays • Pushbuttons & Indicators
- Limit and Basic Switches • Timers • Counters • Metering Devices
- Power Supplies

Safety

- Laser Scanners • Safety Mats • Edges and Bumpers • Programmable Safety Controllers • Light Curtains • Safety Relays • Safety Interlock Switches