

D-SERIES DRW / DRH
DRW370024LT

Weidmüller Interface GmbH & Co. KG
Klingenbergstraße 16
D-32758 Detmold
Germany
Fon: +49 5231 14-0
Fax: +49 5231 14-292083
www.weidmueller.com

Product image

Relay from the D-SERIES DRW.

- 2 or 3 CO contacts
- Suitable for switching high load voltages
- Wide range of coil voltages
- With integrated status display (AC red, DC green)
- With test button

General ordering data

Type	DRW370024LT
Order No.	1219790000
Version	D-SERIES DRW / DRH, Relay, No. of contacts: 3 CO contact with test button AgCdO, Rated control voltage: 24 V DC, Continuous current: 16 A, Flat blade connections (4.8 mm x 0.5 mm)
GTIN (EAN)	4032248998807
Qty.	10 pc(s).

D-SERIES DRW / DRH
DRW370024LT

Weidmüller Interface GmbH & Co. KG
 Klingenbergstraße 16
 D-32758 Detmold
 Germany
 Fon: +49 5231 14-0
 Fax: +49 5231 14-292083
 www.weidmueller.com

Technical data
Dimensions and weights

Width	36 mm	Width (inches)	1.417 inch
Height	36 mm	Height (inches)	1.417 inch
Depth	48 mm	Depth (inches)	1.89 inch
Net weight	85.1 g		

Temperatures

Humidity	35 % to 85 % relative humidity level	Operating temperature, max.	60 °C
Operating temperature, min.	-40 °C	Storage temperature, max.	60 °C
Storage temperature, min.	-40 °C	Operating temperature	-40 °C...60 °C
Storage temperature	-40 °C...60 °C		

Environmental Product Compliance

REACH SVHC Lead 7439-92-1

Rated data UL

Certificate No. (cURus) E312083

Input

Rated control voltage	24 V DC	Rated current DC	60 mA
Power rating	1.5 W	Pull-in/drop-out voltage, typ.	18 V / 2.4 V DC
Coil resistance	400 Ω ± 10 %	Status indicator	Green LED

Output

Rated switching voltage	400 VAC	Max. switching voltage, AC	400 V
Max. switching voltage, DC	250 V	Continuous current	16 A
Inrush current	80 A / 50 ms	AC switching capacity (resistive), max.	6400 VA
DC switching capacity (resistive), max.	384 W @ 24 V	Switch-on delay	< 20 ms
Switch-off delay	< 20 ms	Min. switching power	100 mA @ 12 V
Max. switching frequency at rated load	1 Hz		

Contact data

Contact type	3 CO contact with test button (AgCdO)	Contact resistance	≤ 50 mΩ
Mechanical service life	10 x 10 ⁶ switching cycles		

General data

Test button	yes (lockable)	Mechanical switch position indicator	Yes
Colour code	Transparent		

D-SERIES DRW / DRH
DRW370024LT

Weidmüller Interface GmbH & Co. KG
 Klingenbergstraße 16
 D-32758 Detmold
 Germany
 Fon: +49 5231 14-0
 Fax: +49 5231 14-292083
 www.weidmueller.com

Technical data**Insulation coordination**

Insulation coordination according to	EN 61810-1:2008	Rated voltage	400 V
Surge voltage category	III	Pollution severity	3
Insulating material group	IIIa	Protection degree	IP20
Dielectric strength, Input/Output	2.5 kV _{eff} / 1 Min.	Creepage and clearance distance input – output	≥ 6,3 mm
Dielectric strength of neighbouring contacts	1.5 kV _{eff} / 1 min.	Dielectric strength of open contact	2.5 kV _{eff} / 1 Min.

Further details of approvals / standards

Standards	IEC 61810-1, EN 60664-1:2007, EN 61000-6-2:2005, EN 61000-6-4:2007 + A1:2011, UL 508	Certificate No. (cURus)	E312083
-----------	--	-------------------------	---------

Connection data

Wire connection method	Flat blade connections (4.8 mm x 0.5 mm)
------------------------	---

Classifications

ETIM 3.0	EC001437	ETIM 5.0	EC001437
ETIM 6.0	EC001437	eClass 6.2	27-37-16-01
eClass 7.1	27-37-16-01	eClass 8.1	27-37-16-01
eClass 9.0	27-37-16-01	eClass 9.1	27-37-16-01

Approvals

Approvals



ROHS Conform

Downloads

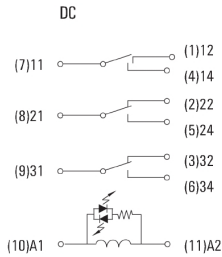
Approval/Certificate/Document of Conformity	DE_PA_5600_160310_005.pdf
Brochure/Catalogue	CAT 4.2 ELECTR 18/19 EN
Engineering Data	EPLAN, WSCAD
Engineering Data	STEP

**D-SERIES DRW / DRH
DRW370024LT**

Weidmüller Interface GmbH & Co. KG
Klingenbergstraße 16
D-32758 Detmold
Germany
Fon: +49 5231 14-0
Fax: +49 5231 14-292083
www.weidmueller.com

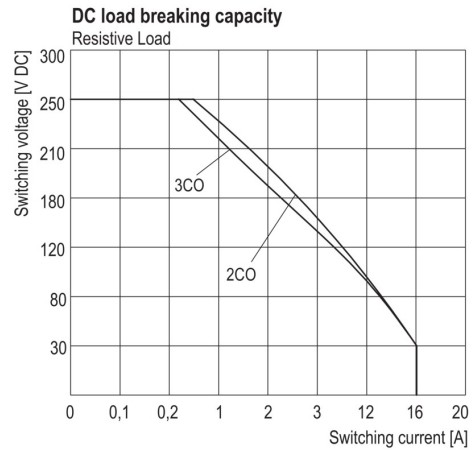
Drawings

Wiring diagram



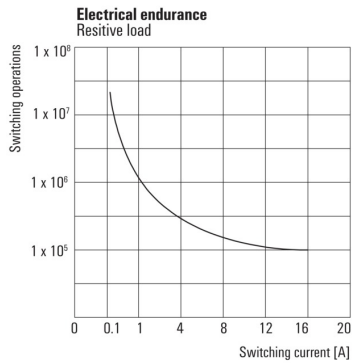
View of Pins from below

Graph



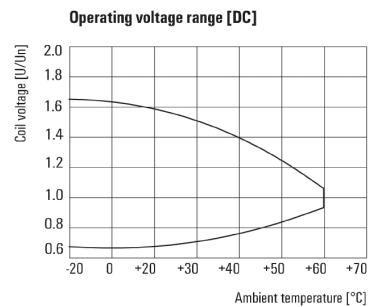
DC load limit curve
Resistive load

Graph



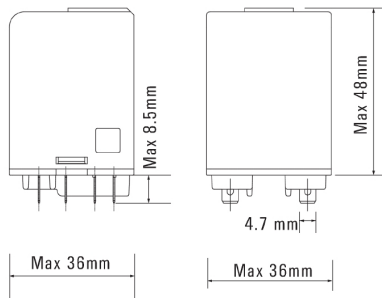
Electrical service life
Resistive load

Graph



DC operational voltage range

Dimensional drawing



**D-SERIES DRW / DRH
DRW370024LT**

Weidmüller Interface GmbH & Co. KG
 Klingenbergstraße 16
 D-32758 Detmold
 Germany
 Fon: +49 5231 14-0
 Fax: +49 5231 14-292083
 www.weidmueller.com

Mating connector (fully pluggable)

Base



Accessories for D-SERIES relays include:

- Relay bases
- LED / Protective modules
- Metal retaining clips

General ordering data

Type	Order No.	Version	GTIN (EAN)	Qty.
SPW ECO 3CO	1220250000	D-SERIES DRW / DRH, Relay bases, No. of contacts: 3 CO contact, Continuous current: 16 A, Screw connection	4032248100101	10 pc(s).

D-SERIES DRW / DRH DRW370024LT

Weidmüller Interface GmbH & Co. KG
 Klingenbergstraße 16
 D-32758 Detmold
 Germany
 Fon: +49 5231 14-0
 Fax: +49 5231 14-292083
 www.weidmueller.com

Accessories

Base



Accessories for D-SERIES relays include:

- Relay bases
- LED / Protective modules
- Metal retaining clips

General ordering data

Type	Order No.	Version	GTIN (EAN)	Qty.
SPW ECO 3CO	1220250000	D-SERIES DRW / DRH, Relay bases, No. of contacts: 3 CO contact, Continuous current: 16 A, Screw connection	4032248100101	10 pc(s).

Blank, adhesive backing



The new SwitchMark markers have been designed for identifying rotary selector switches from ABB (SM 19/42 K MC) as well as control and signalling devices from Siemens (SM 18/9.5 K MC).

Suitable for:
 SM 18/9.5 K MC: Siemens, type 3SB
 SM 19/42 K MC: ABB, tag carrier type ONFB72

For custom printing: Please send us a file of our labeling software M-Print PRO or M-Print PRO Online (without installation) for your labeling specifications.

Please note that these markers are not intended for printing with the SpeedMarking laser.

General ordering data

Type	Order No.	Version	GTIN (EAN)	Qty.
SM 18/9.5 K MC NE GR	1248610000	SwitchMark, Device markers, 9.5 x 18 mm, grey	4050118038675	200 pc(s).
SM 18/9.5 K MC NE GE	1248590000	SwitchMark, Device markers, 9.5 x 18 mm, Siemens 3 SB, yellow	4050118038958	200 pc(s).
SM 18/9.5 K MC NE WS	1248580000	SwitchMark, Device markers, 9.5 x 18 mm, white	4050118038965	200 pc(s).

**D-SERIES DRW / DRH
DRW370024LT**

Weidmüller Interface GmbH & Co. KG
Klingenbergstraße 16
D-32758 Detmold
Germany
Fon: +49 5231 14-0
Fax: +49 5231 14-292083
www.weidmueller.com

Accessories

Blank



ESG is the tried-and-tested marker in MultiCard format for use on many well-known electrical devices. The result is high-quality device marking with a high-contrast appearance.

Various types are available for devices from the following manufacturers:

- Siemens
- Télémecanique
- ABB
- Beckhoff
- Lumberg
- Tags for all-purpose usage; self-adhesive or clip-on tags, depending on the type

Advantages at a glance:

- Tags for universal usage, self-adhesive or clip-on tags, depending on type
- For aligned equipment, e.g. circuit breakers, we supply ESG markers for clipping onto tag rails
- Individual laser-quality printing according to specifications

For custom printing: Please send us a file of our labeling software M-Print PRO or M-Print PRO Online (without installation) for your labeling specifications.

Please note that these markers are not intended for printing with the SpeedMarking laser.

General ordering data

Type	Order No.	Version	GTIN (EAN)	Qty.
ESG 6/17 K MC NE WS	1880120000	ESG, Device markers x 17 mm, PA 66, Colour code: white, Self-adhesive	4032248478804	200 pc(s).
ESG 6/17 K MC NE GE	1880110000	ESG, Device markers x 17 mm, PA 66, Colour code: yellow, Self-adhesive	4032248478798	200 pc(s).

**D-SERIES DRW / DRH
DRW370024LT**

Weidmüller Interface GmbH & Co. KG
Klingenbergstraße 16
D-32758 Detmold
Germany
Fon: +49 5231 14-0
Fax: +49 5231 14-292083
www.weidmueller.com

Accessories

Retaining clip



Accessories for D-SERIES relays include:

- Relay bases
- LED / Protective modules
- Metal retaining clips

General ordering data

Type	Order No.	Version	GTIN (EAN)	Qty.
DRW/DRH	1220260000	D-SERIES DRW / DRH,	403224899576	10 pc(s).
CLIP M		Retaining clip		

Multicard



for labelling your cables

Features:

- for use in the laser printer
- made from polyester
- abrasion-resistant
- as accessory: pen and printing software

General ordering data

Type	Order No.	Version	GTIN (EAN)	Qty.
ESG 9/11 K	1857440000	ESG, Device markers x 11	403224840273	1 200 pc(s).
MC NE WS		mm, PA 66, Colour code: white, Self-adhesive		

Protective modules



Accessories for D-SERIES relays include:

- Relay bases
- LED / Protective modules
- Metal retaining clips

General ordering data

Type	Order No.	Version	GTIN (EAN)	Qty.
RIM 5	1174650000	D-SERIES, Free-wheeling	4032248971305	10 pc(s).
6/230VDC		diode, Rated control		

**D-SERIES DRW / DRH
DRW370024LT**

Weidmüller Interface GmbH & Co. KG
Klingenbergstraße 16
D-32758 Detmold
Germany
Fon: +49 5231 14-0
Fax: +49 5231 14-292083
www.weidmueller.com

Accessories

voltage: 6...230 V DC, Plug-
in connection

Test button cover



You place stringent demands on your relay combinations in industrial environments. Our D-SERIES relay modules were designed specifically for challenging industrial applications.

Let's connect.

In many industrial applications voltages between 110 and 220 V

are used to control actuators. With load currents exceeding 100 mA

these high voltages produce arcing that causes a great deal of wear on the relay contacts.

We have designed our D-SERIES relay modules specifically for universal usage

in a wide range of industrial applications. They are much more reliable

than conventional solutions, which minimises costs for maintenance and replacement.

Thanks to series connected contacts, built-in blow magnets and low-wear

contacts, arcing is effectively

suppressed with D-SERIES products – resulting in a noticeably longer service life.

General ordering data

Type	Order No.	Version	GTIN (EAN)	Qty.
Test Lever	7760056249	D-SERIES DRW / DRH, Test	6944169641626	10 pc(s).
Block DRH/ DRW		button cover		

**D-SERIES DRW / DRH
DRW370024LT**

Weidmüller Interface GmbH & Co. KG
Klingenbergstraße 16
D-32758 Detmold
Germany
Fon: +49 5231 14-0
Fax: +49 5231 14-292083
www.weidmueller.com

Accessories

Blank



ESG is the tried-and-tested marker in MultiCard format for use on many well-known electrical devices. The result is high-quality device marking with a high-contrast appearance.

Various types are available for devices from the following manufacturers:

- Siemens
- Télémecanique
- ABB
- Beckhoff
- Lumberg
- Tags for all-purpose usage; self-adhesive or clip-on tags, depending on the type

Advantages at a glance:

- Tags for universal usage, self-adhesive or clip-on tags, depending on type
- For aligned equipment, e.g. circuit breakers, we supply ESG markers for clipping onto tag rails
- Individual laser-quality printing according to specifications

For custom printing: Please send us a file of our labeling software M-Print PRO or M-Print PRO Online (without installation) for your labeling specifications.

Please note that these markers are not intended for printing with the SpeedMarking laser.

General ordering data

Type	Order No.	Version	GTIN (EAN)	Qty.
ESG 6/15 K MC NE GE	1880130000	ESG, Device markers x 15 mm, PA 66, Colour code: yellow, Self-adhesive	4032248478910	200 pc(s).
ESG 6/15 K MC NE WS	1880100000	ESG, Device markers x 15 mm, PA 66, Colour code: white, Self-adhesive	4032248478781	200 pc(s).

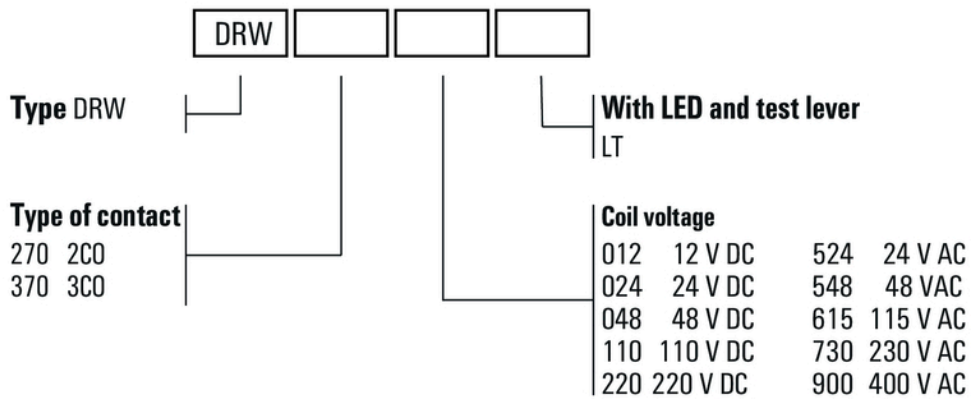
Data sheet

D-SERIES DRW / DRH
DRW370024LT

Weidmüller Interface GmbH & Co. KG
 Klingenbergstraße 16
 D-32758 Detmold
 Germany
 Fon: +49 5231 14-0
 Fax: +49 5231 14-292083
 www.weidmueller.com

Drawings

Miscellaneous



Type codes