

HOSE CLAMPS AND INSTALLATION TOOLS

SECTION IX

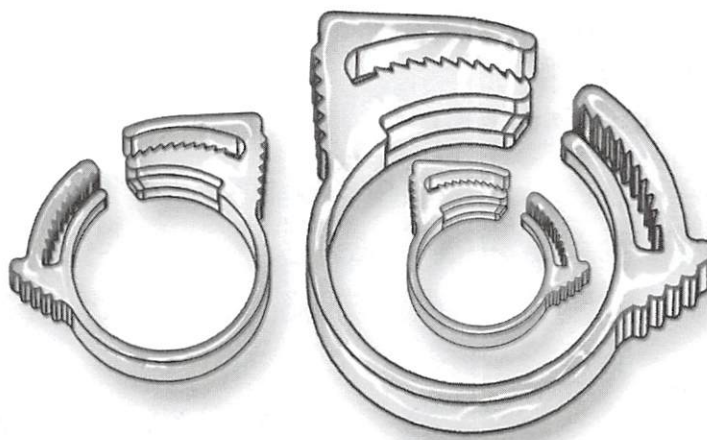
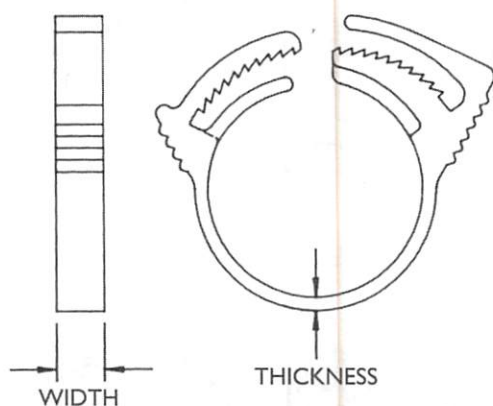
- **APPLIANCE** -
Dishwashers, laundry, refrigerators, food preparation equipment.
- **ELECTRICAL/ELECTRONIC** -
Positioning and placement of components and wiring.
- **R.V./BOATING** -
Plumbing and Accessories.
- **AUTOMOTIVE** -
Under hood applications. Heat-Stabilized material is available, call for details.

Micro Plastics' Premium Nylon Hose Clamps provide a superior seal on hose or tubing through their Patented interlocking design by eliminating the leak path created by the overlapping ring design hose clamps. As interlocking grooves are ratcheted together the sealing diameter of the fastener is aligned in parallel, creating a uniform clamping surface. Clamps may be removed by separating the clamping halves in a perpendicular direction at the seal.

Easy installation on most liquid, gas, or vacuum lines.

Nylon clamps are tough, corrosion resistant and resilient.

Parts are removable and reusable.



PREMIUM HOSE CLAMPS

Molded in Natural Nylon 6/6

PATENTED INTERLOCKING DESIGN ELIMINATES LEAK PATH



www.aboveboardelectronics.com
1-800-453-1692

ITEM NUMBER	DESCRIPTION	WIDTH	THICKNESS	BUNDLE SIZE	
				MIN.	MAX
22HC0250	1/4" Hose Clamp	7/32" (5,56)	3/64" (1,19)	.235 (5,90)	.260 (6,60)
22HC0312	5/16" Hose Clamp	7/32" (5,56)	1/16" (1,59)	.300 (7,62)	.350 (8,89)
22HC0344	11/32" Hose Clamp	7/32" (5,56)	1/16" (1,59)	.360 (9,14)	.390 (9,91)
22HC0406	13/32" Hose Clamp	1/4" (6,35)	1/16" (1,59)	.410 (10,41)	.468 (11,89)
22HC0468	15/32" Hose Clamp	7/32" (5,56)	1/16" (1,59)	.475 (12,07)	.536 (13,61)
22HC0531	17/32" Hose Clamp	1/4" (6,35)	1/16" (1,59)	.538 (13,67)	.608 (15,44)
22HC0593	19/32" Hose Clamp	1/4" (6,35)	1/16" (1,59)	.597 (15,16)	.680 (17,27)
22HC0672	43/64" Hose Clamp	7/32" (5,56)	1/16" (1,59)	.670 (17,02)	.776 (19,71)
22HC0750	3/4" Hose Clamp	7/32" (5,56)	1/16" (1,59)	.730 (18,54)	.825 (20,95)
22HC0813	13/16" Hose Clamp	.216" (5,49)	1/16" (1,59)	.750 (19,05)	.875 (22,23)
22HC0875	7/8" Hose Clamp	7/32" (5,56)	1/16" (1,59)	.840 (21,33)	.940 (23,87)
22HC0953	61/64" Hose Clamp	1/4" (6,35)	1/16" (1,59)	.885 (22,47)	1.025 (26,03)
22HC1031	1-1/32" Hose Clamp	5/16" (7,94)	1/16" (1,59)	1.031 (26,19)	1.187 (30,15)
22HC1250	1-1/4" Hose Clamp	5/16" (7,94)	1/16" (1,59)	1.250 (31,75)	1.425 (36,20)
22HC1406	1-13/32" Hose Clamp	11/32" (8,73)	1/16" (1,59)	1.406 (35,71)	1.610 (40,89)
22HC1593	1-19/32" Hose Clamp	11/32" (8,73)	1/16" (1,59)	1.593 (40,46)	1.812 (46,02)
22HC1687	1-11/16" Hose Clamp	11/32" (8,73)	1/16" (1,59)	1.790 (45,47)	2.110 (53,59)
22HC1875	1-7/8" Hose Clamp	13/32" (10,32)	1/16" (1,59)	1.870 (47,50)	2.125 (53,98)
22HC2125	2-1/8" Hose Clamp	13/32" (10,32)	1/16" (1,59)	2.120 (53,85)	2.390 (60,71)

HOSE CLAMPS AND INSTALLATION TOOLS

SECTION
IX

- **APPLIANCE** -
Dishwashers, laundry, refrigerators, food preparation equipment.

- **ELECTRICAL/ELECTRONIC** -
Positioning and placement of components and wiring.

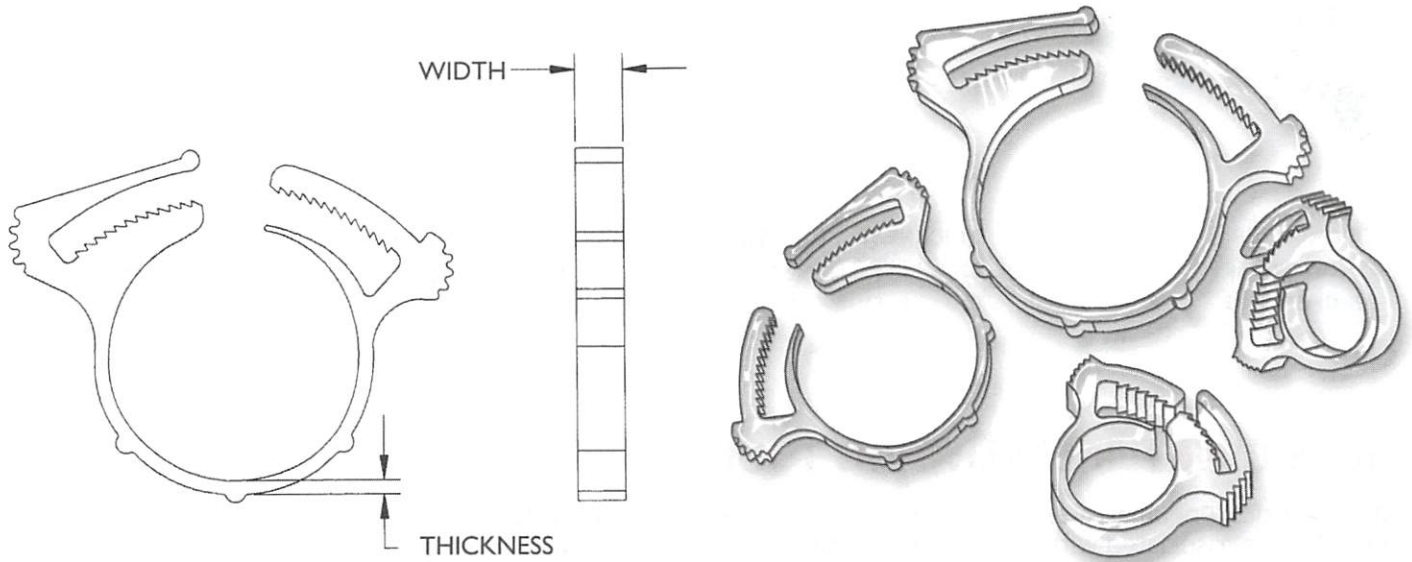
- **R.V./BOATING** -
Plumbing and Accessories.

- **AUTOMOTIVE** -
Under hood applications, Heat-Stabilized material is available, call for details.

Micro Plastics' Standard Nylon Hose Clamps are based on the original design for this type of fastener. An overlapping tapered ring of nylon is fastened around the hose or tubing desired and secured to the required tightness by compressing interacting groves in a ratcheting fashion, creating a tight sealing application. Clamps may be removed by separating the clamping halves in perpendicular direction at the seal.

Nylon clamps are tough, corrosion resistant and resilient.

Parts are removable and reusable.



STANDARD HOSE CLAMPS

Molded in **Natural Nylon 6/6**

ITEM NUMBER	DESCRIPTION	WIDTH	THICKNESS	BUNDLE SIZE	
				MIN.	MAX
22HSC0010	1.0 Hose Clamp	.156 (3,96)	.040 (1,02)	.235 (5,97)	.260 (6,60)
22HSC0015	1.5 Hose Clamp	.150 (3,81)	.050 (1,27)	.283 (7,19)	.312 (7,92)
22HSC0020	2 Hose Clamp	.230 (5,84)	.070 (1,78)	.350 (8,89)	.395 (10,03)
22HSC0040	4 Hose Clamp	.230 (5,84)	.070 (1,78)	.360 (9,14)	.410 (10,41)
22HSC0060	6 Hose Clamp	.230 (5,84)	.070 (1,78)	.430 (10,92)	.480 (12,19)
22HSC0080	8 Hose Clamp	.230 (5,84)	.070 (1,78)	.500 (12,70)	.545 (13,84)
22HSC0100	10 Hose Clamp	.230 (5,84)	.070 (1,78)	.525 (13,34)	.605 (15,37)
22HSC0120	12 Hose Clamp	.230 (5,84)	.070 (1,78)	.580 (14,73)	.660 (16,76)
22HSC0140	14 Hose Clamp	.230 (5,84)	.070 (1,78)	.655 (16,63)	.750 (19,05)
22HSC0180	18 Hose Clamp	.230 (5,84)	.070 (1,78)	.779 (19,79)	.899 (22,83)
22HSC0190	19 Hose Clamp	.230 (5,84)	.070 (1,78)	.859 (21,82)	.989 (25,12)
22HSC0220	22 Hose Clamp	.250 (6,35)	.070 (1,78)	.900 (22,86)	1.072 (27,23)
22HSC0240	24 Hose Clamp	.250 (6,35)	.070 (1,78)	.990 (25,15)	1.135 (28,83)
22HSC0280	28 Hose Clamp	.280 (7,11)	.070 (1,78)	1.123 (28,52)	1.296 (32,92)

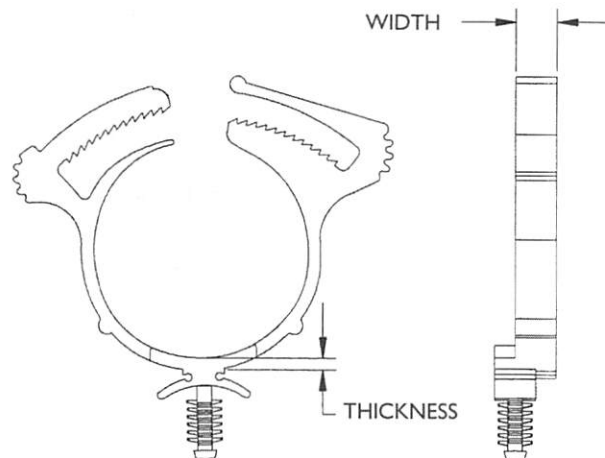
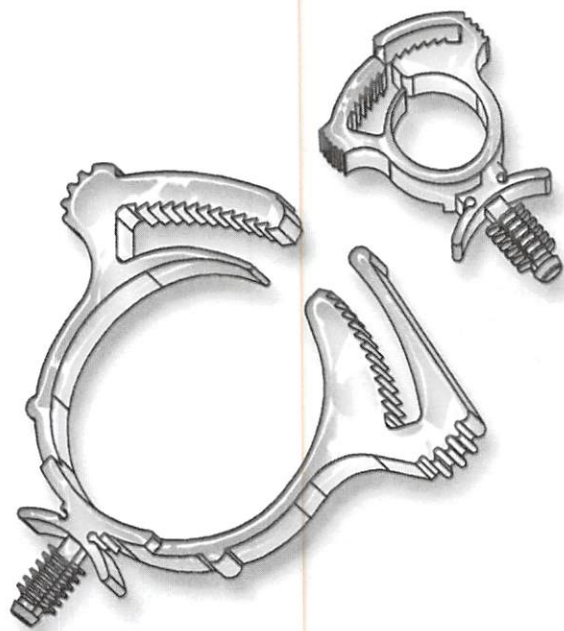
HOSE CLAMPS AND INSTALLATION TOOLS

SECTION

IX

STANDARD HOSE CLAMPS FIN CLIP BASE

Molded in Natural Nylon 6/6



ITEM NUMBER	WIDTH	THICKNESS	BUNDLE SIZE		HOLE SIZE	PANEL THICKNESS
			MIN	MAX		
22HCFC037188	.230 (5,84)	.070 (1,78)	.360 (9,14)	.395 (10,03)	.187 (4,75)	1/32" (0,79) - 1/4 (6,35)
22HCFC106188	.250 (6,35)	.070 (1,78)	.990 (25,15)	1.135 (28,83)	.187 (4,75)	1/32" (0,79) - 1/4 (6,35)

HOSE CLAMP INSTALLATION TOOLS

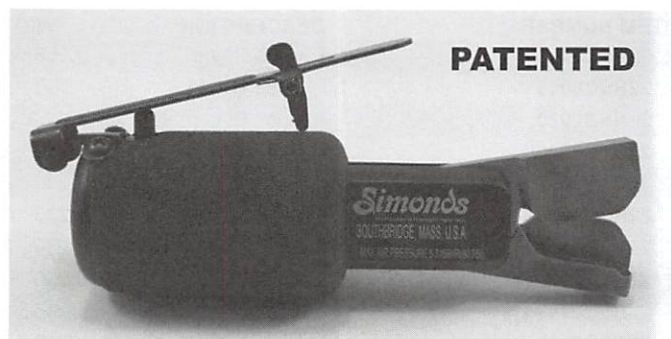
Micro Plastics' Pneumatic -Ergonomic Hose Clamp Installation Tool has been carefully designed to help reduce the wrist fatigue associated with the rapid assembly of Nylon Hose Clamps. The easy trigger-type actuation of this air tool, in combination with the ergonomic angle of the hand grip, allows natural alignment of the wrist and hand during normal clamp installation. The tool operates on standard shop air from 30-100 PSE. Lightweight, only 18 ounces. Tools are configured prior to shipping. Please specify Hose Clamp sizes to be installed when ordering.

NOT AVAILABLE FOR HOSE CLAMP SIZES LARGER THAN .953



PNEUMATIC ERGONOMIC HOSE CLAMP TOOL
ITEM NUMBER
22PHCET0100

PATENTED



PATENTED

PNEUMATIC HOSE CLAMP TOOL
ITEM NUMBER
22PHCT0100

HOSE CLAMPS AND INSTALLATION TOOLS

SECTION
IX

DOUBLE GRIP HOSE CLAMPS



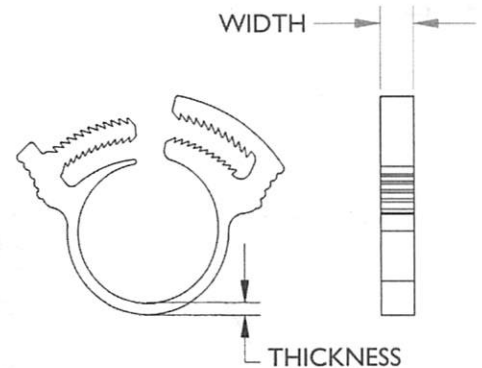
www.aboveboardelectronics.com
1-800-453-1692

Molded in **Black Nylon 6/6**

Micro Plastics' double grip hose clamps feature a double tooth interlocking jaw for exceptional strength. Parts are molded in black durable nylon 6/6 and are quick and easy to install. An overlapping tapered ring is fastened around the hose or tubing and secured to the required tightness by compressing the double gripping interacting grooves in a ratcheting fashion, creating a tight sealing application. Clamps have good chemical resistance and are tough, corrosion resistant and resilient. Clamps can be removed by separating the clamping halves in perpendicular direction at the seal. Clamps can be used in the following fields of application.



- Electrical
- Electronic
- R.V.
- Boating
- Automotive

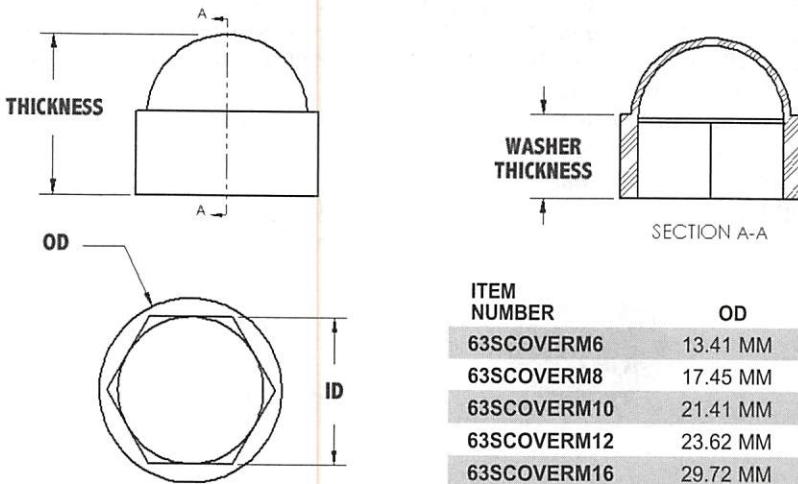


ITEM NUMBER	DESCRIPTION	WIDTH	THICKNESS	BUNDLE SIZE	
				MIN.	MAX.
22DGHC00A	1/4 Double Grip Hose Clamp	11/64 (4,34)	1/16 (1,57)	0.220 (5,59)	0.256 (6,50)
22DGHC00B	5/16 Double Grip Hose Clamp	3/16 (4,75)	1/16 (1,57)	0.311 (7,90)	0.362 (9,19)
22DGHC0AA	9/32 Double Grip Hose Clamp	0.177 (4,50)	0.065 (1,65)	0.256 (1,65)	0.300 (7,62)
22DGHC0BB	3/8 Double Grip Hose Clamp	0.177 (4,50)	0.065 (1,65)	0.362 (9,19)	0.406 (10,31)
22DGHC00C	7/16 Double Grip Hose Clamp	0.228 (5,79)	1/16 (1,57)	0.402 (10,21)	0.465 (11,81)
22DGHC00CC	15/32 Double Grip Hose Clamp	1/4 (6,35)	1/16 (1,57)	0.437 (11,10)	0.508 (12,90)
22DGHC00D	1/2 Double Grip Hose Clamp	0.240 (6,10)	1/16 (1,57)	0.472 (11,99)	0.543 (13,79)
22DGHC00E	9/16 Double Grip Hose Clamp	0.283 (7,19)	5/64 (1,98)	0.516 (13,11)	0.594 (15,09)
22DGHC00F	5/8 Double Grip Hose Clamp	0.285 (7,24)	5/64 (1,98)	0.591 (15,01)	0.673 (17,09)
22DGHC00G	23/32 Double Grip Hose Clamp	9/32 (7,14)	5/64 (1,98)	0.665 (16,89)	0.752 (19,11)
22DGHC00H	3/4 Double Grip Hose Clamp	0.280 (7,11)	5/64 (1,98)	0.713 (18,11)	0.811 (20,60)
22DGHC00J	7/8 Double Grip Hose Clamp	0.252 (6,40)	5/64 (1,98)	0.799 (20,29)	0.906 (23,01)
22DGHC00K	15/16 Double Grip Hose Clamp	0.276 (7,01)	5/64 (1,98)	0.874 (22,20)	0.980 (22,86)
22DGHC00L	1 Double Grip Hose Clamp	0.280 (7,11)	5/64 (1,98)	0.965 (24,51)	1.087 (27,61)
22DGHC00M	1 1/8 Double Grip Hose Clamp	0.317 (8,05)	3/32 (2,36)	1.043 (26,49)	1.161 (29,49)
22DGHC00N	1 1/4 Double Grip Hose Clamp	0.354 (8,99)	5/64 (1,98)	1.134 (28,80)	1.268 (32,21)
22DGHC00P	1 5/16 Double Grip Hose Clamp	0.358 (9,09)	5/64 (1,98)	1.260 (32,00)	1.370 (34,80)
22DGHC00Q	1 3/8 Double Grip Hose Clamp	0.350 (8,89)	5/64 (1,98)	1.350 (34,29)	1.492 (37,90)
22DGHC00R	1 1/2 Double Grip Hose Clamp	0.362 (9,19)	5/64 (1,98)	1.496 (38,00)	1.614 (41,00)
22DGHC00S	1 5/8 Double Grip Hose Clamp	0.354 (8,99)	5/64 (1,98)	1.579 (40,11)	1.740 (44,20)
22DGHC00T	1 3/4 Double Grip Hose Clamp	0.350 (8,89)	5/64 (1,98)	1.701 (43,21)	1.819 (46,20)
22DGHC00U	1 7/8 Double Grip Hose Clamp	0.354 (8,99)	5/64 (1,98)	1.811 (46,00)	1.988 (50,50)
22DGHC00V	2 Double Grip Hose Clamp	0.354 (8,99)	5/64 (1,98)	1.909 (48,49)	2.118 (53,80)
22DGHC00W	2 1/8 Double Grip Hose Clamp	0.354 (8,99)	3/32 (2,36)	2.087 (53,01)	2.224 (56,49)
22DGHC00X	2 1/4 Double Grip Hose Clamp	0.370 (9,40)	3/32 (2,36)	2.165 (54,99)	2.382 (60,50)
22DGHC059	2 3/8 Double Grip Hose Clamp	23/64 (9,12)	7/64 (2,77)	2.323 (59,00)	2.547 (64,69)
22DGHC064	2 1/2 Double Grip Hose Clamp	.361 (9,16)	.102 (2,59)	2.480 (62,99)	2.654 (67,41)
22DGHC065	2 5/8 Double Grip Hose Clamp	0.374 (9,50)	7/64 (2,77)	2.559 (65,00)	2.717 (69,01)
22DGHC066	2 3/4 Double Grip Hose Clamp	0.362 (9,19)	5/64 (1,98)	2.591 (65,81)	2.823 (71,70)
22DGHC070	2 7/8 Double Grip Hose Clamp	23/64 (9,12)	3/32 (2,36)	2.756 (70,00)	2.969 (75,41)
22DGHC075	3 Double Grip Hose Clamp	.369 (9,37)	.102 (2,59)	2.941 (74,70)	3.169 (80,49)
22DGHC078	3 1/8 Double Grip Hose Clamp	.347 (8,81)	.102 (2,59)	3.059 (77,69)	3.197 (81,20)
22DGHC080	3 1/4 Double Grip Hose Clamp	.354 (8,99)	.122 (3,09)	3.142 (79,80)	3.346 (84,98)
22DGHC085	3 3/8 Double Grip Hose Clamp	.350 (8,89)	.099 (2,51)	3.350 (85,09)	3.567 (90,60)
22DGHC096	3 7/8 Double Grip Hose Clamp	.336 (8,53)	.099 (2,51)	3.846 (97,66)	4.020 (102,10)

SECTION
X

SCREW HEAD COVERS

Molded in **Black High Density Polyethylene**

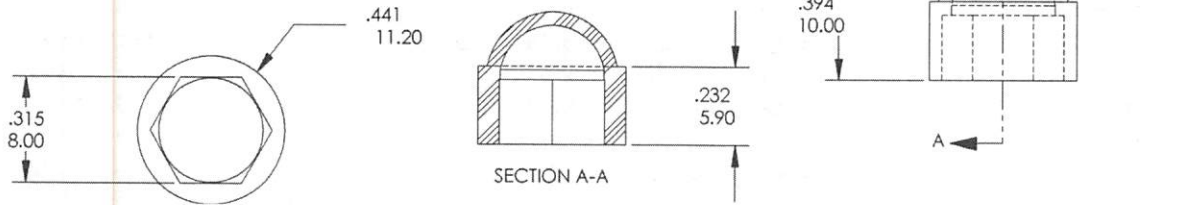


ITEM NUMBER	OD	ID	THICKNESS	WASHER THICKNESS
63SCOVERM6	13.41 MM	10.01 MM	11.23 MM	6.50 MM
63SCOVERM8	17.45 MM	12.80 MM	14.16 MM	8.26 MM
63SCOVERM10	21.41 MM	17.02 MM	17.25 MM	9.27 MM
63SCOVERM12	23.62 MM	18.80 MM	19.36 MM	10.39 MM
63SCOVERM16	29.72 MM	23.80 MM	25.83 MM	13.41 MM

HEX HEAD SCREW COVERS

Molded in **Black Polypropylene**

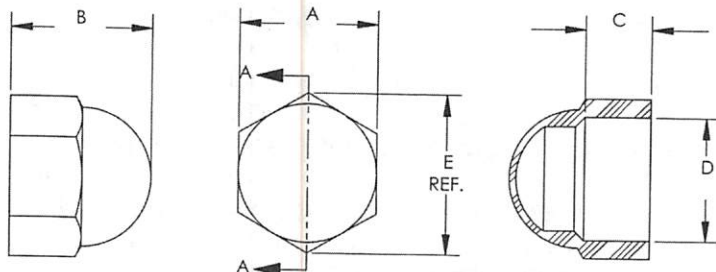
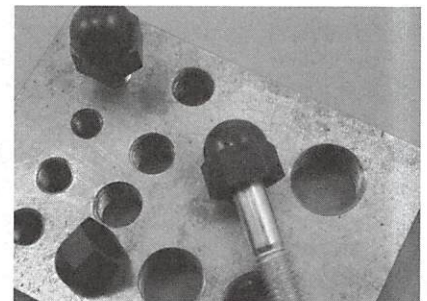
- Quick and simple to install.
- Protects and gives neat finish to exposed metal hexagon nuts and screw heads.



ITEM NUMBER	FITS
63SCVR-M5	Hex ID for M5 hex nuts and screws

HEX HEAD SCREW COVERS

Molded in **Black High Density Polyethylene**

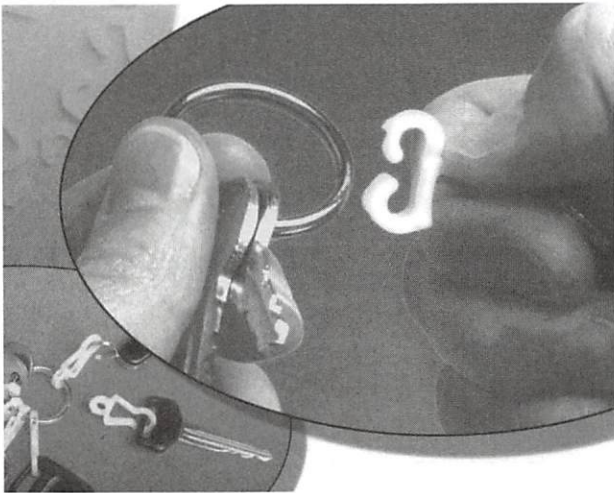


- Quick and simple to install.
- Protects and gives neat finish to exposed metal hexagon nuts and screw heads.

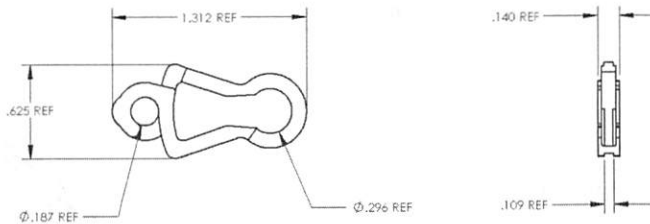
ITEM NUMBER	FITS	A	E	B	C	D
63SCVR-M6	Round ID for M6 pan or hex head machine screw	12.95 MM	14.96 MM	13.72 MM	6.00 MM	10.74 MM
63SCVR-M8	Hex ID for M8 hex nuts and screws	15.87 MM	18.33 MM	16.30 MM	7.62 MM	14.17 MM

SWIFT KEYS

Molded in ACETAL - COLOR CHOICES - Black • Blue • Green • Red • White • Yellow

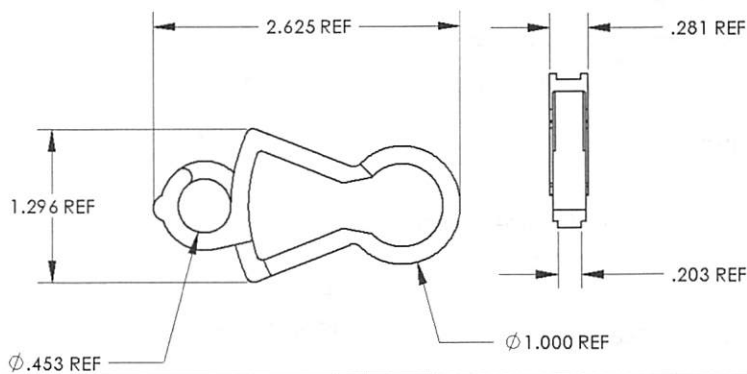


- Simple function - no instructions needed.
- Reversible hole - may be "unfolded" to swap keys or other objects.
- Secure attachment
- Aesthetically elegant - shape is unique.
- Sold in "as molded" open position



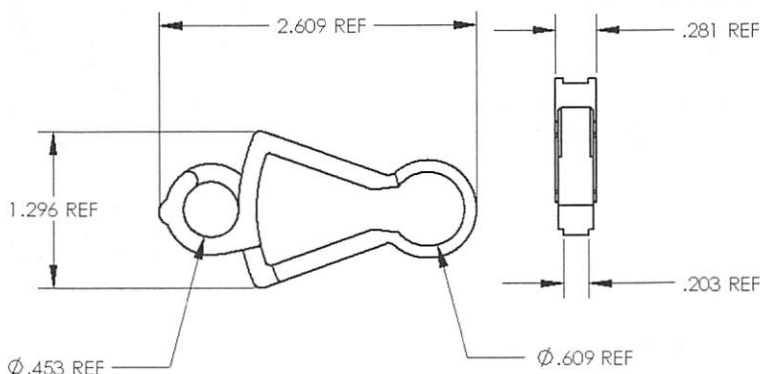
SWIFT KEY

ITEM NUMBER	DESCRIPTION	COLOR
45SWIFTKEY01B	Swift Key	Black
45SWIFTKEY01BL	Swift Key	Blue
45SWIFTKEY01GR	Swift Key	Green
45SWIFTKEY01R	Swift Key	Red
45SWIFTKEY01W	Swift Key	White
45SWIFTKEY01Y	Swift Key	Yellow



LARGE HEAVY DUTY SWIFT KEY

ITEM NUMBER	DESCRIPTION	COLOR
45SWIFTKEYHD02B	Large HD Swift Key	Black
45SWIFTKEYHD02BL	Large HD Swift Key	Blue
45SWIFTKEYHD02GR	Large HD Swift Key	Green
45SWIFTKEYHD02R	Large HD Swift Key	Red
45SWIFTKEYHD02W	Large HD Swift Key	White
45SWIFTKEYHD02Y	Large HD Swift Key	Yellow



LARGE SWIFT KEY

ITEM NUMBER	DESCRIPTION	COLOR
45SWIFTKEY02B	Large Swift Key	Black
45SWIFTKEY02BL	Large Swift Key	Blue
45SWIFTKEY02GR	Large Swift Key	Green
45SWIFTKEY02R	Large Swift Key	Red
45SWIFTKEY02W	Large Swift Key	White
45SWIFTKEY02Y	Large Swift Key	Yellow

MISCELLANEOUS PRODUCTS

SECTION

X

EXTENDIBLE POLE WITH THREADED END

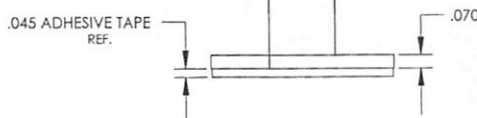
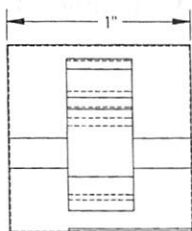
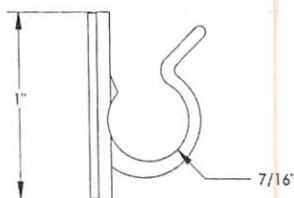


ITEM
NUMBER

45EXTPOLE

ADHESIVE CABLE CLIPS

Molded in **Natural High Density Polyethylene**



ITEM
NUMBER

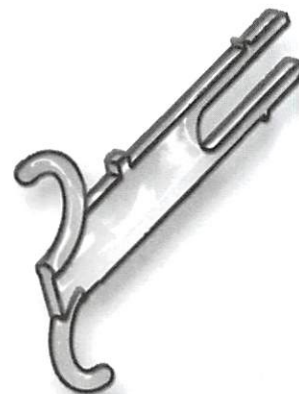
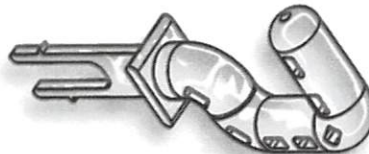
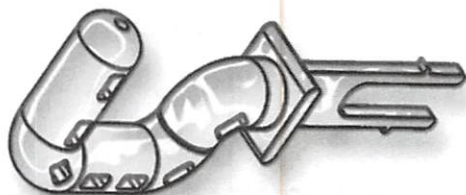
45GUTADHCLIP

NOTE: CLIPS MUST BE PURCHASED IN MULTIPLES OF 25.

COMMERCIAL WIRE ROUTING KIT

Molded in **Natural Nylon 6/6**

- Elevated routing of wires and tubing without using a ladder.
- All component parts are molded in light weight impact resistant Nylon.



COMMERCIAL WIRE ROUTING KIT INCLUDES THE FOLLOWING

- 1 Nut that fits the extendible pole threads.
- 1 Applicator that snap fits into the nut and is used for applying adhesive backed wire clip to elevated surfaces.
- 1 Wiring hook that snaps into the nut for routing wire in elevated clips.
- 1 Instruction sheet.

NOTE: Adhesive backed clips and extension pole sold separately, (SEE ABOVE)

ITEM
NUMBER

DESCRIPTION

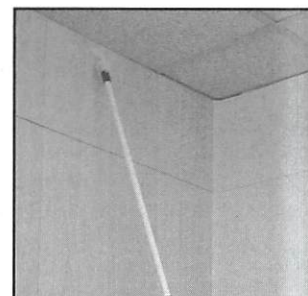
45INDWIREKIT Commercial Wiring Kit

EXPANDED COMMERCIAL WIRE ROUTING KIT

- Elevated routing of wires and tubing without using a ladder.
- Double backed foam adhesive on a Polyethylene clip.
- All component parts are molded in light weight impact resistant Nylon.
- Additional adhesive backed cable clips and extension poles sold separately, see page 248.

WIRING KIT INCLUDES THE FOLLOWING

- 1 One piece extendible pole with threaded end.
- 1 Nut that fits the extendible pole threads.
- 1 Applicator that snap fits into the nut and is used for applying adhesive backed wire clip to elevated surfaces.
- 25 Adhesive backed wire routing cable clips.
- 1 Wiring hook that snaps into the nut for routing wire in elevated clips.
- 1 Instruction sheet.



ITEM
NUMBER

DESCRIPTION

45EXPINDWIREKIT Expanded Commercial Wiring Kit

CORD HOOK AND RETAINER

Molded in **Black U.V. resistant Impact modified Nylon**

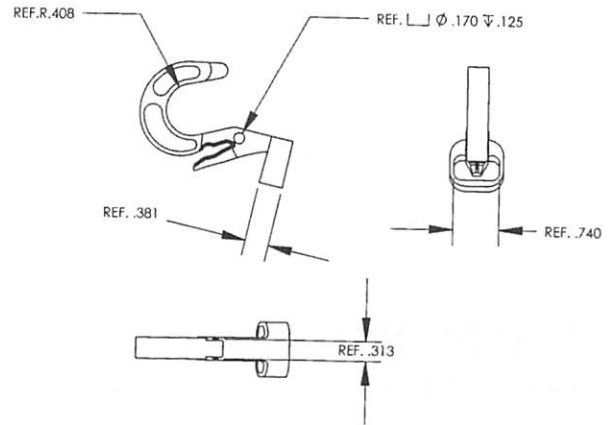
Micro Plastics' cord hook is molded in U.V. resistant black impact modified nylon. Hook and retainer can be purchased separately or as a set not assembled. Hook is designed to be used with 1/4" diameter through 3/8" diameter cord. Simply loop the cord, insert through the guide area of the hook and pull down into the "V". Always tie a knot in the free end of the cord to prevent slippage. Cord assembly can be used for securing light cargo in cars, vans, trucks, and boats. The hooks will not scratch painted or decorative surfaces which makes it great for covers on boats and trailers.

THE FOLLOWING SAFETY PRECAUTIONS MUST BE FOLLOWED WHEN USING CORD

- Intended for light duty use only.
- Wear eye protection - end of cord could come loose and cause serious eye or bodily injury.
- Always tie a knot in the free end of the cord or rope.
- Do not exceed 20 lbs. total force on hook.
- Not recommended for use with shock cord.



Watch Instructional Video
[mms://www.microplastics.com/productvideos/ShockCord.asf](https://www.microplastics.com/productvideos/ShockCord.asf)

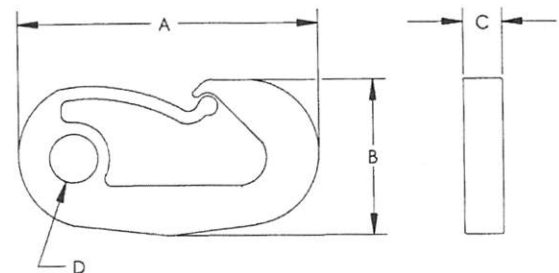
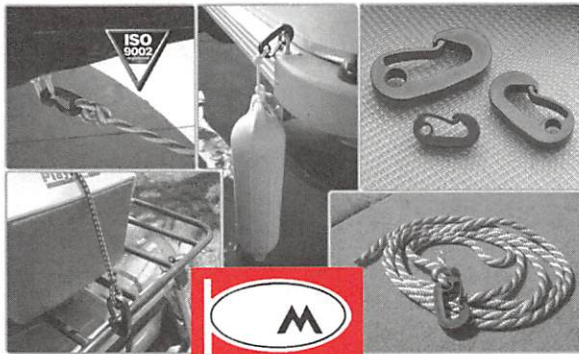


ITEM NUMBER	DESCRIPTION
45SKCDHK750RET	CORD HOOK RETAINER

ITEM NUMBER	DESCRIPTION
45SKCDHK750	CORD HOOK

SNAP HOOKS

Molded in **Black UV Resistant Nylon**



Micro Plastics' Snap Hooks are ideal for light duty marine use, securing cargo to racks, miscellaneous automotive and home uses. The parts are made from UV resistant Nylon, which is perfect for outdoor use. The Snap Hooks will not scratch painted or decorative surfaces. Micro Plastics' design reduces the chance of accidental rope or eye release from snap end of hook.

ITEM NUMBER	A LENGTH	B WIDTH	C THICKNESS	D HOLE DIA.	MAX. ROPE DIA.	MAX. LOAD
*45SNHK250	1 19/32" (40,46)	27/32" (21,41)	5/16" (7,92)	1/4" (6,35)	1/4" (6,35)	5 LBS.
*45SNHK375	2 3/8" (60,33)	1 1/4" (31,75)	3/8" (9,52)	3/8" (9,52)	3/8" (9,52)	13 LBS.
**45SNHK500	3 5/32" (80,16)	1-21/32" (42,06)	13/32" (10,31)	1/2" (12,70)	1/2" (12,70)	40 LBS.

* MOLDED NYLON 6/6 BLACK

** MOLDED IN BLACK IMPACT MODIFIED NYLON

MISCELLANEOUS PRODUCTS

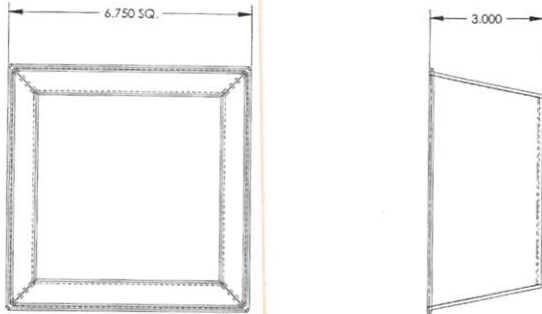
SECTION

X

- Durable nesting container is molded in impact modified polystyrene.
- Ideal for sorting and storing small parts.
- Useful in industrial applications and a variety of home or office projects.
- Tapered design allows containers to be easily stacked for compact storage.

NESTING CONTAINERS

Molded in Impact modified Polystyrene



SIZE: 6 3/4" X 6 3/4" X 3" DEEP



ITEM NUMBER	COLOR
401026	NATURAL
401028	BLACK
401027	FLUORESCENT PINK

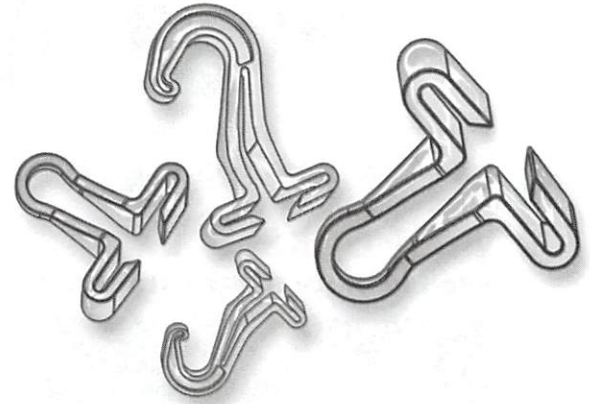
SUSPENDED CEILING HOOKS

Molded in **Natural Nylon 6/6** or **Clear Copolyester**

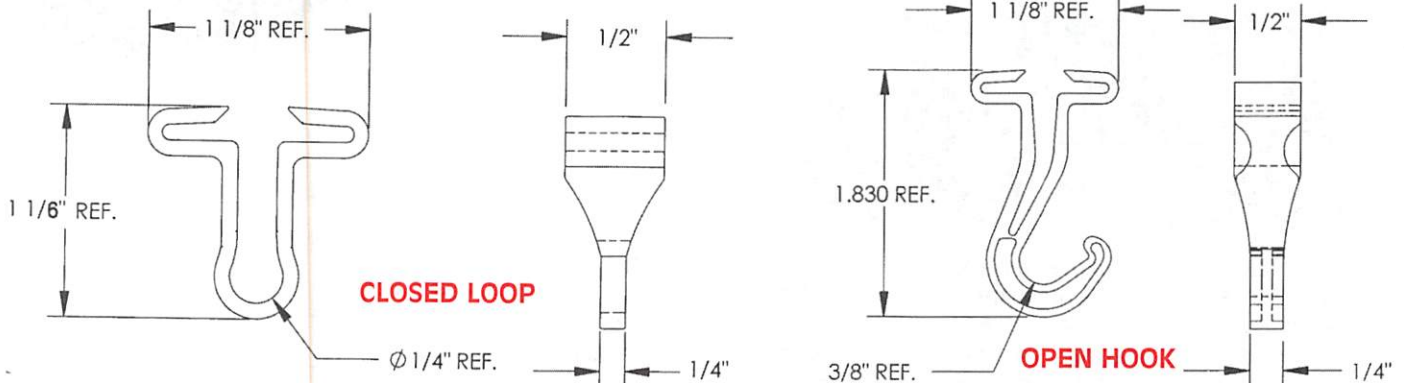
Micro Plastics' suspended ceiling hooks are designed for hanging very light articles from a suspended ceiling. We offer two designs, one with a closed loop, the other with an open hook. Parts can be ordered in natural Nylon (translucent off white) or clear Copolyester.

NOTE FOR LIGHT ARTICLES SUCH AS MOBILES, BANNERS & SIGNS. CEILING SUPPORT LOAD MUST BE VERIFIED BY MANUFACTURER OF THE CEILING SUPPORT AND THE INSTALLER.

NOTE DO NOT OVERLOAD CEILING SUPPORT.



PATENTED



ITEM NUMBER	MATERIAL	STYLE	COLOR
45SCH025CH	NYLON 6/6	CLOSED LOOP	OFF WHITE
45SCH025CHCP	COPOLYESTER	CLOSED LOOP	CLEAR
45SCH037OH	NYLON 6/6	OPEN HOOK	OFF WHITE
45SCH037OHCP	COPOLYESTER	OPEN HOOK	CLEAR

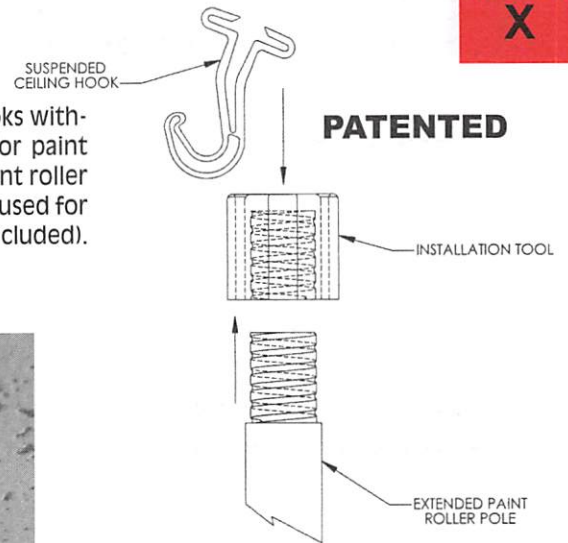
ADE
Above Board Electronics, Inc.

www.aboveboardelectronics.com
1-800-453-1692

CEILING HOOK INSTALLATION TOOL

Molded in **Natural Nylon 6/6**

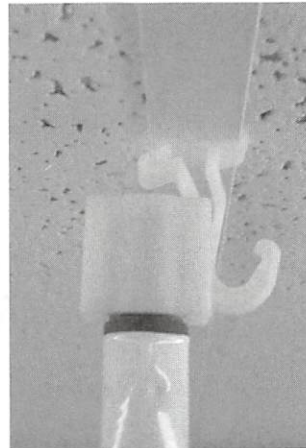
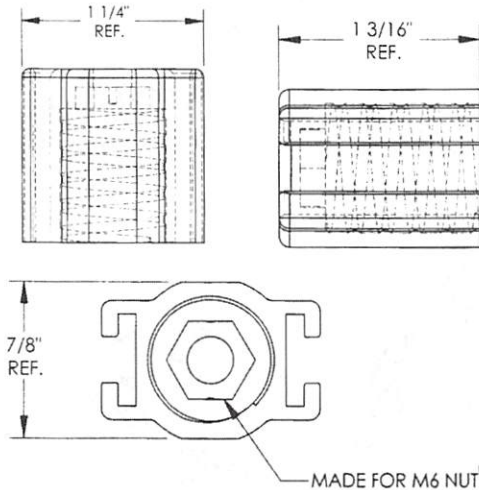
Suspended ceiling hook installation tool is designed to install both type of hooks without using a ladder. The tool threads onto most standard extended poles for paint rollers. Simply thread the Micro Plastics' tool onto the threaded end of the paint roller extension pole and you are ready to install the ceiling hooks. Tool may also be used for attaching accessories with a male or female M6 thread, (Nut and screw not included). This assembly may also be used to remove hooks.



Hex shaped area is designed to fit a metric M6 hex nut or M6 hex head machine screw. **Note:** Insert nut or screw into installation tool before attaching to extension pole.

ITEM NUMBER

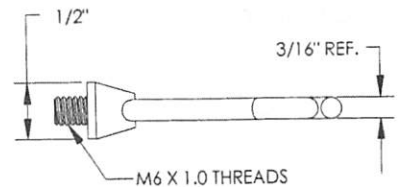
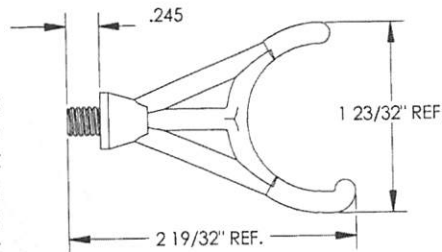
45SCHINSTL



HEAVY DUTY HANGER

Molded in **Natural Nylon 6/6**

The Micro Plastics heavy duty hanger is designed to fit our ceiling hook installation tool (45SCHINSTL) with a M6 X 1.0 hex nut (NOT INCLUDED) installed in the installation tool. Heavy duty hanger is used to hang articles on elevated pegs or hooks without the use of a ladder.



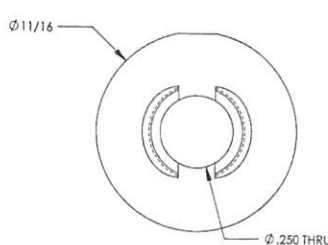
ITEM NUMBER

45HDH01

TWO PIECE GROMMET

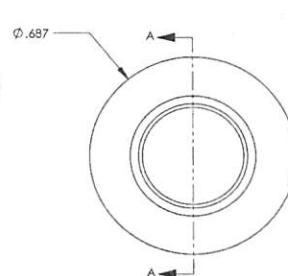
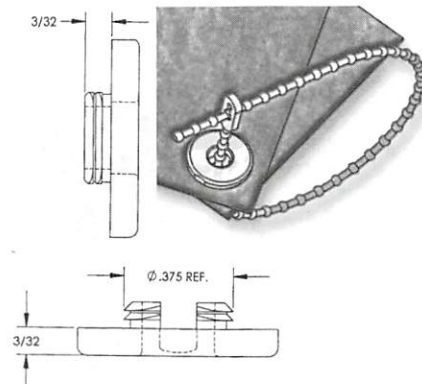
Molded in **Natural Nylon 6/6**

Two Piece Grommets are molded in corrosion resistant Nylon 6/6. The male and female parts are designed for easy hand assembly, simply press together. Male half has multiple latching details for approximate panel thickness of 1/32' and 1/16". Grommets can be used for reinforcing through holes and attaching samples of paper or cloth. Recommended hole size 7/16" diameter. Male and female grommets are packaged and sold separately.



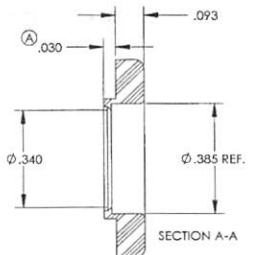
ITEM NUMBER

45GRMM250



ITEM NUMBER

45GRMF250



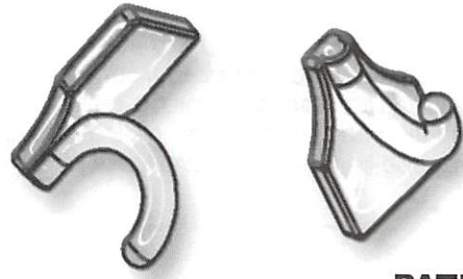
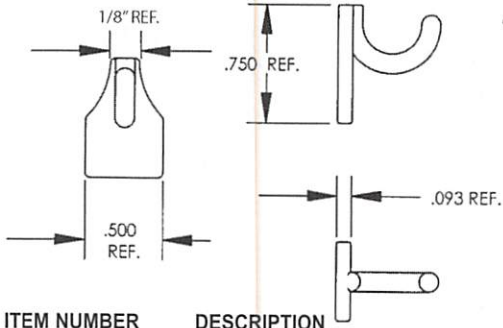
MISCELLANEOUS PRODUCTS

SECTION

X

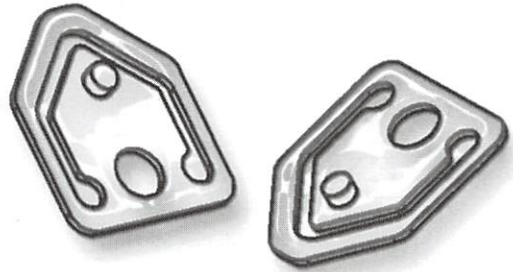
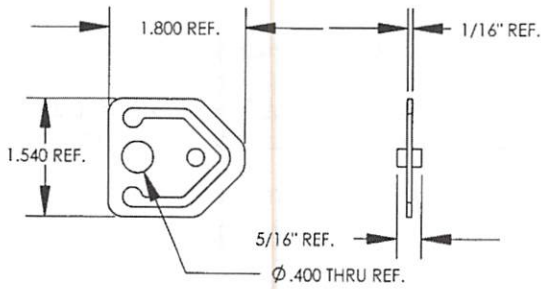
SUSPENDED CEILING HANGING ACCESSORIES

Molded in Natural Nylon 6/6



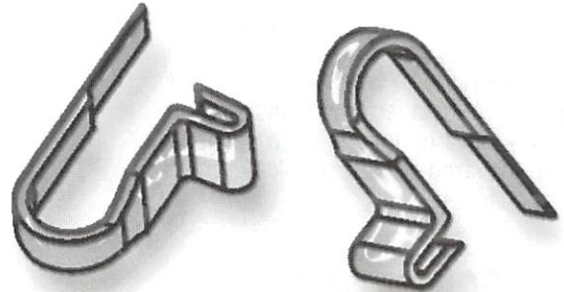
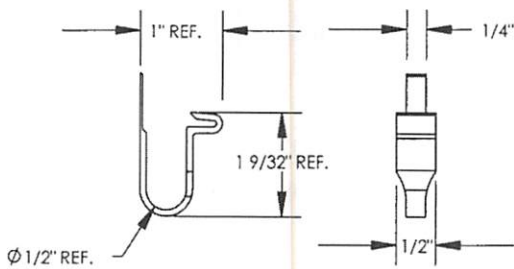
PATENTED

ITEM NUMBER	DESCRIPTION
45INSTLHOOK	Ceiling Hanger Hook



PATENTED

ITEM NUMBER	DESCRIPTION
45SCHCLIP	Ceiling Accessory Clip

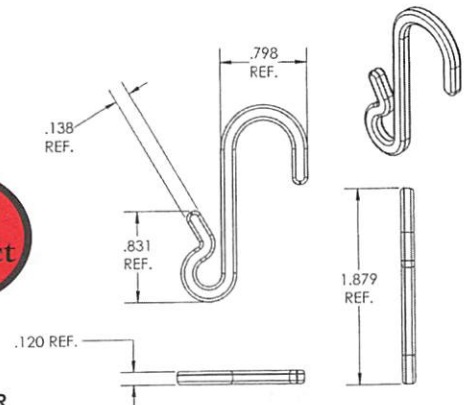
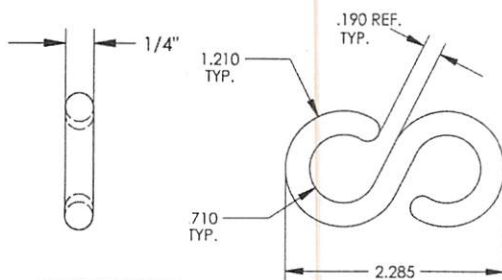


PATENTED

ITEM NUMBER	DESCRIPTION
45SCH050EH	Ceiling Edge Hook

"S" HOOKS

Molded in Natural Nylon 6/6



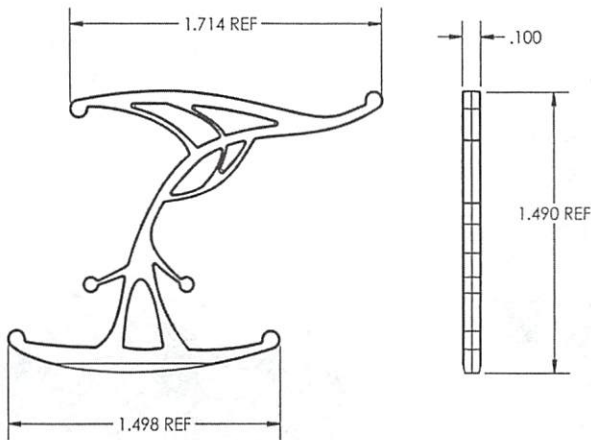
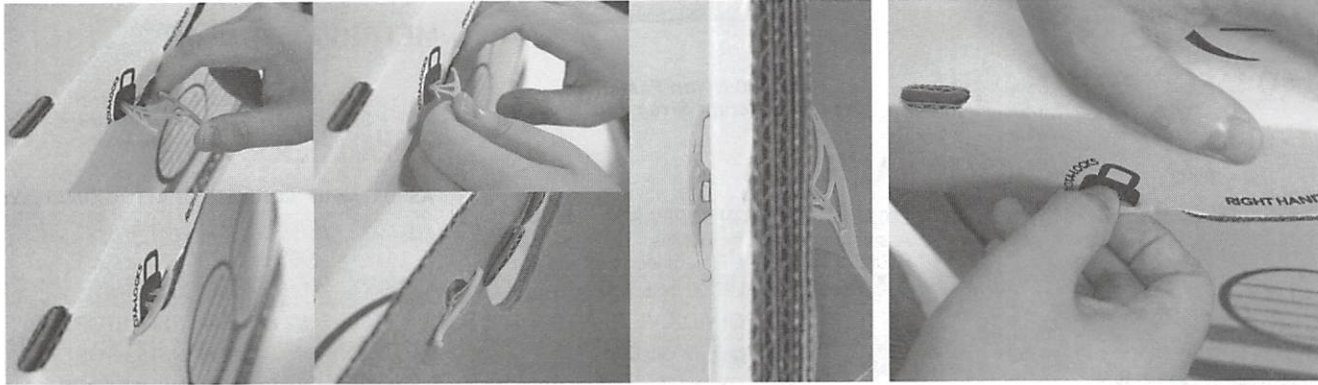
ITEM NUMBER
45SHOK

ITEM NUMBER
45SHOOK1

Alien Lock

Molded in **Natural Nylon 6/6**

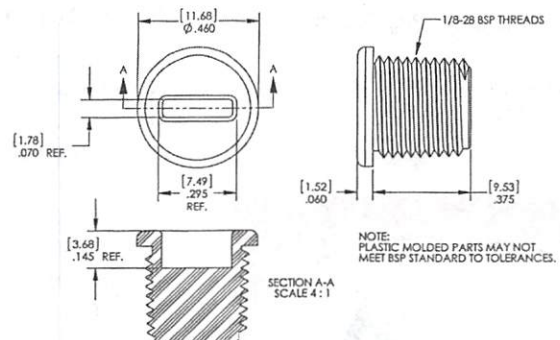
It looks "Alien" but it's the ultimate in box security fasteners. In fact, it's the first and only dedicated box fastener. It's a much less expensive solution than banding or taping your boxes, and it keeps them more secure, too. It's easy and fast to insert and it's incredibly strong. It cannot be pulled out without it being obvious that the box was tampered with - it must be cut off.



ITEM NUMBER	DESCRIPTION
27ALIEN001	Alien Lock

Pipe Plug With Head

Molded in **Natural Nylon 6/6**



ITEM NUMBER	DESCRIPTION
62NPTH01228	Pipe Plug With Head

FASTENER ASSORTMENT KITS

SECTION XI

MOLDED NYLON FASTENERS PROVIDE ELECTRICAL INSULATION, VIBRATION AND CORROSION RESISTANCE. HAVE A LOW THERMAL CONDUCTIVITY, ARE

NON-MAGNETIC AND HAVE A HIGH STRENGTH-TO-WEIGHT RATIO. PACKAGED IN LARGE REUSABLE TRANSPARENT PLASTIC STORAGE BOXES.

IDEAL FOR:

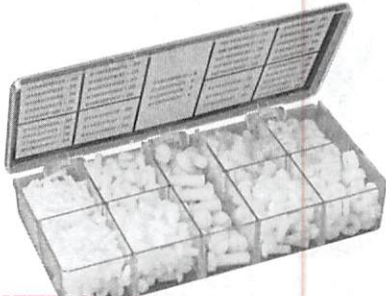
PROTOTYPE WORK - Large working assortments.

PRODUCT DESIGN - Latest designs for increased productivity.

MODEL MAKING - Commercially available standard parts.

SHOP AND MAINTENANCE - Convenient selection.

04AS0750MSN



METRIC KIT page 285

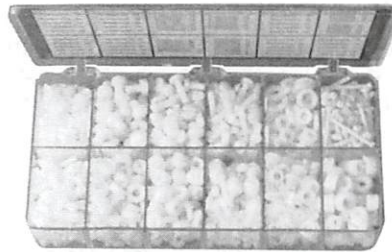
Over 750 Nylon Fasteners Over 35 Different Sizes and Types SCREWS AND NUTS

ASSORTMENT CONSISTS OF APPROXIMATELY:

ROUND, HEX, PAN, BINDER, AND FILLISTER HEADSTYLE MACHINE SCREWS. IN THE FOLLOWING SIZES;

- 100 - 440 X 1/4" to 1" LONG ASSORTED HEADSTYLES
- 100 - 623 X 1/4" to 5/8" LONG ASSORTED HEADSTYLES
- 100 - 832 X 1/4" to 3/4" LONG ASSORTED HEADSTYLES
- 100 - 1032 X 1/4" to 1/2" LONG ASSORTED HEADSTYLES
- 30 - 1/4-20 X 1/4" to 3/4" LONG ROUND and FILLISTER HEAD
- 100 - 440, 632, 832, 1032, & 1/4-20 SOCKET SET SCREWS
- 100 - 440, 632, 832, 1032, & 1/4-20 HEX NUTS
- 125 - #4, #6, #8, #10, & 1/4 FLATWASHERS

04AS0900FAS



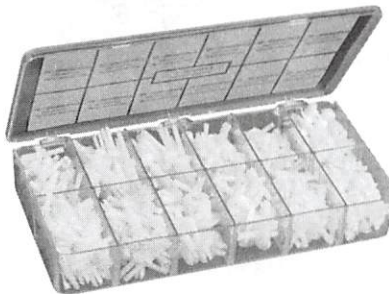
Over 900 Nylon Fasteners
Over 65 Different Sizes and Types.

FASTENERS

250 MOLDED NYLON SCREWS
Assorted sizes and headstyles;
Round, Pan, Fillister, Flat, Binder, Hex and Set.

- 100 - SOCKET SET SCREWS
- 50 - POLY DRIVE RIVETS
- 100 - FLAT WASHERS
- 100 - HEX NUTS
- 50 - LOCK NUTS
- 40 - CAP NUTS
- 10 - WING NUTS
- 50 - PUSH-IN FASTENERS
- 50 - ARROW CLIPS
- 100 - SCREW INSULATORS
- 20 - THUMB SCREWS

04AS0380PRT



Over 380 Assorted Nylon Drive Rivets
with Insertion Tool

POLY DRIVE RIVETS

ASSORTMENT CONSISTS OF APPROXIMATELY:

- 40 - 61PR200000 .187 .156/.281
- 40 - 61PR300000 .187 .312/.440
- 50 - 61PR300100 .187 .062/.187
- 40 - 61PR300300 .187 .078/.375
- 40 - 61PR300800 .187 .375/.750
- 30 - 61PR400500 .187 .375/.500
- 40 - 61PR500500 .218 .031/.062
- 40 - 61PR010000 .218 .187/.250
- 40 - 61PR100000 .218 .093/.350
- 20 - 61PR010100 .226 .125/.312
- 1 - 61PRT0125 DRIVE RIVET INSERTION TOOL

04AS0320SWS



METRIC KIT page 285

All in Assorted Lengths and
Shoulder Height Combinations.

SHOULDER WASHERS

ASSORTMENT CONSISTS OF APPROXIMATELY:

- 150 - SHOULDER WASHERS
.093 to 1/4" ID
.125 to .500 OD
- 30 - #2 SCREW INSULATORS
- 30 - #4 SCREW INSULATORS
- 25 - #6 SCREW INSULATORS
- 25 - #8 SCREW INSULATORS
- 25 - #10 SCREW INSULATORS
- 25 - 1/4 SCREW INSULATORS
- 10 - 5/16 SCREW INSULATORS



STRAIN RELIEF BUSHINGS

ASSORTMENT CONSISTS OF APPROXIMATELY:

- 20 - 23MP02M40
- 16 - 23MP03P40
- 10 - 23MP04K40
- 10 - 23MP04N40
- 10 - 23MP05P40
- 4 - 23MP06N40
- 6 - 23MP06P34
- 12 - 23MP06W10
- 2 - 23MP07W20
- 2 - 23MP03020
- 8 - 23MP14L10
- 8 - 23MP15L10

04AS0075SR



FASTENER ASSORTMENT KITS

SECTION
XI

O4ASO162CA



Over 150 Cable Clips in 12 Popular Sizes Including; Nail-in Clips, Heavy Duty Clips, Wire Clips and Spring Clips.

CLIPS

ASSORTMENT CONSISTS OF APPROXIMATELY:

- 15 - 22NCC0450F
- 10 - 22NCC0900F
- 5 - 22NCC0800R
- 8 - 22NCC0700R
- 15 - 22NCC0400R
- 12 - 22WC0500312
- 25 - 22SPC375132
- 20 - 22HDCC4840
- 12 - 22HDCC4220
- 15 - 22HDCC3590
- 15 - 22HDCC2970
- 10 - 22NCC0500R

O4ASO34OSP



METRIC KIT page 285

SPACERS/STANDOFFS

ASSORTMENT CONSISTS OF APPROXIMATELY:

- 100 - ROUND SPACERS - PLAIN 3/16", 1/4", 3/8", 1/2" DIAMETERS, 1/8" to 1" Long.
- 80 - HEX SPACERS - PLAIN 1/4" to 1" Long.
- 35 - ROUND SPACERS - TAPPED 440, 632, 832, 1032, 1/4-20, 1/4", 5/16", 3/8", 1/2" Diameter, 1/4" to 1" Long.
- 30 - HEX SPACERS - TAPPED 440, 632, 832, Diameter, 1/4" to 1" Long.
- 45 - HEX MALE/FEMALE STANDOFFS - THREADED 440, 632, 832 Diameter, 1/4" to 1" Long.

O4ASO290CC



Over 290 Cable Clamps in 18 Popular Sizes.

CABLE CLAMPS

ASSORTMENT CONSISTS OF APPROXIMATELY:

- 40 - 1/8" X 1/8" CABLE CLAMPS
- 25 - 3/16" X 1/2" CABLE CLAMPS
- 1/4" X 1/2" CABLE CLAMPS
- 1/4" X 3/8" CABLE CLAMPS
- 20 - 5/16" X 3/8" CABLE CLAMPS
- 3/8" X 3/8" CABLE CLAMPS
- 7/16" X 3/8" CABLE CLAMPS
- 1/2" X 3/8" CABLE CLAMPS
- 15 - 5/16" X 1/2" CABLE CLAMPS
- 3/8" X 1/2" CABLE CLAMPS
- 7/16" X 1/2" CABLE CLAMPS
- 10 - 1/2" X 1/2" CABLE CLAMPS
- 9/16" X 1/2" CABLE CLAMPS
- 5/8" X 1/2" CABLE CLAMPS
- 3/4" X 1/2" CABLE CLAMPS
- 5 - 1" X 1/2" CABLE CLAMPS
- 3 - 1 1/4" X 1/2" CABLE CLAMPS
- 1 1/2" X 1/2" CABLE CLAMPS

O4ASO305MCS



Over 300 NYLON METAL CORE SCREWS Over 30 Different Sizes and Headstyles.

METAL CORE SCREWS

ASSORTMENT CONSISTS OF APPROXIMATELY: ALL IN ASSORTED ROUND, ROUND WASHER, FLAT AND FILLISTER HEADSYTLES.

- 130 - 632 X 1/4" to 1" METAL CORE SCREWS
- 75 - 832 X 3/8" to 1" METAL CORE SCREWS
- 60 - 1032 X 3/8" to 1" METAL CORE SCREWS
- 40 - 1/4-20 X 3/8" to 1 1/2" METAL CORE SCREWS

MOLDED NYLON FASTENERS PROVIDE ELECTRICAL INSULATION, VIBRATION AND CORROSION RESISTANCE. HAVE A LOW THERMAL CONDUCTIVITY, ARE NON-MAGNETIC AND HAVE A HIGH STRENGTH-TO-WEIGHT RATIO. PACKAGED IN LARGE REUSABLE TRANSPARENT PLASTIC STORAGE BOXES.

IDEAL FOR:

- PROTOTYPE WORK** - Large working assortments.
- PRODUCT DESIGN** - Latest designs for increased productivity.
- MODEL MAKING** - Commercially available standard parts.
- SHOP AND MAINTENANCE** - Convenient selection.

O4ASO107ABC



Over 100 Adhesive Backed Cable Clips in 10 Sizes including Single, Double and Releasable Styles.

ADHESIVE BACKED CLIPS

ASSORTMENT CONSISTS OF APPROXIMATELY:

- 10 - 22AWC00375
- 20 - 22AWC00125
- 10 - 22DPC25550
- 20 - 22DPC13037
- 4 - 22DPC38062
- 4 - 22SPC38562
- 3 - 22DPC50575
- 6 - 22SPC50575
- 20 - 22SPC13037
- 10 - 22SPC25550



www.aboveboardelectronics.com
1-800-453-1692



FASTENER ASSORTMENT KITS

SECTION XI

MOLDED NYLON FASTENERS PROVIDE ELECTRICAL INSULATION, VIBRATION AND CORROSION RESISTANCE. HAVE A LOW THERMAL CONDUCTIVITY, ARE

NON-MAGNETIC AND HAVE A HIGH STRENGTH-TO-WEIGHT RATIO. PACKAGED IN LARGE REUSABLE TRANSPARENT PLASTIC STORAGE BOXES.

IDEAL FOR:

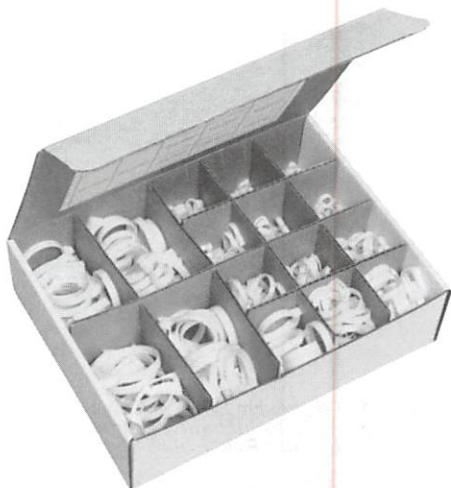
PROTOTYPE WORK - Large working assortments.

PRODUCT DESIGN - Latest designs for increased productivity.

MODEL MAKING - Commercially available standard parts.

SHOP AND MAINTENANCE - Convenient selection.

04ASO475HC



PREMIUM HOSE CLAMPS

ASSORTMENT CONSISTS OF APPROXIMATELY:

- 50 - 22HC0250
- 45 - 22HC0344
- 40 - 22HC0406
- 40 - 22HC0468
- 40 - 22HC0531
- 40 - 22HC0593
- 35 - 22HC0750
- 30 - 22HC0875
- 30 - 22HC0953
- 25 - 22HC1031
- 20 - 22HC1250
- 15 - 22HC1406
- 20 - 22HC1593
- 15 - 22HC1687
- 15 - 22HC1875
- 10 - 22HC2125

04ASO140CC



Over 140 Cable Clips
In 15 Different Styles & Sizes

CABLE CLIPS

ASSORTMENT CONSISTS OF APPROXIMATELY:

- 12 - 22DPC13037
- 10 - 22DPC25550
- 6 - 22DPC38062
- 4 - 22DPC50575
- 12 - 22SPC13037
- 10 - 22SPC25550
- 6 - 22SPC38062
- 4 - 22SPC50575
- 12 - 22HDCC1250
- 12 - 22HDCC1750
- 12 - 22HDCC2340
- 12 - 22HDCC2970
- 12 - 22HDCC3590
- 12 - 22HDCC4240
- 6 - 22HDCC4840

04ASO700ECA



Over 700 Connectors
3 Different Body and Pin assemblies

2PC. EDGE CONNECTORS

ASSORTMENT CONSISTS OF APPROXIMATELY:

- 100 - 27TPF0003A
- 100 - 27TPF0003B
- 100 - 27TPF0004A
- 100 - 27TPF0004B
- 75 - 27TPF0002A
- 75 - 27TPF0002B
- 75 - 27TPF0001A
- 75 - 27TPF0001B

04ASO180TCH



Over 100 Transistor Covers
Transistor and Capacitor Mounts in
17 Different Styles and Configurations

TRANSISTOR HARDWARE

ASSORTMENT CONSISTS OF APPROXIMATELY:

- 12 - 19PT11
- 12 - 19PT12
- 12 - 19PT11HD
- 12 - 19PT12HD
- 12 - 19PT11WOB
- 12 - 19PT12WOB
- 12 - 19PT11HDWOB
- 12 - 19PT12HDWOB
- 4 - 21PTC01031
- 4 - 21PTC01032
- 4 - 21PTC01033
- 4 - 21PTC010661
- 4 - 21PTC010662
- 2 - 21PTC010663
- 20 - 22CM0100
- 20 - 22CM0150
- 20 - 22CM0200



FASTENER ASSORTMENT KITS

SECTION
XI

O4ASO725MSP

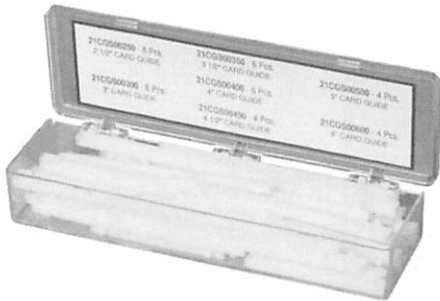


P.C.B. POSTS

ASSORTMENT CONSISTS OF APPROXIMATELY:

- 100 - 27MSP00125
- 100 - 27MSP00250
- 95 - 27MSP00312
- 80 - 27MSP00375
- 70 - 27MSP00437
- 60 - 27MSP00500
- 50 - 27MSP00625
- 40 - 27MSP00750
- 75 - 27MSP00875
- 65 - 27MSP01000

O4ASO036CG



P.C.B. CARD GUIDES

ASSORTMENT CONSISTS OF APPROXIMATELY:

- 4 - 21CG00600 CARD GUIDES
- 4 - 21CG00550 CARD GUIDES
- 4 - 21CG00450 CARD GUIDES
- 6 - 21CG00400 CARD GUIDES
- 6 - 21CG00350 CARD GUIDES
- 6 - 21CG00300 CARD GUIDES
- 6 - 21CG00250 CARD GUIDES

O4ASO120WAR



Over 115 Nylon Screw Anchors
in 12 Different Styles and Sizes.

WALL ANCHOR / RIVETS

ASSORTMENT CONSISTS OF APPROXIMATELY:

- 40 - #6 / #8 SCREW ANCHORS
- 24 - #10 / #12 SCREW ANCHORS
- 20 - #14 / #16 SCREW ANCHORS
- 4 - 3/16" X 3/4" 2 PIECE RIVET, STEEL
- 12 - 1/4" X 1" 2 PIECE RIVET, STEEL
- 4 - 1/4" X 3/4" 2 PIECE RIVET, NYLON
- 8 - 1/4" X 1 1/2" 2 PIECE RIVET, NYLON
- 4 - 1/4" X 1" 2 PIECE RIVET, NYLON

O4ASO510FW



METRIC KIT page 285

All in Assorted Outside Diameters
and Thickness Ranges.

FLAT WASHERS

ASSORTMENT CONSISTS OF APPROXIMATELY:

- 50 - #2 FLATWASHERS
- 60 - #4 FLATWASHERS
- 60 - #6 FLATWASHERS
- 60 - #8 FLATWASHERS
- 60 - #10 FLATWASHERS
- 60 - 1/4" FLATWASHERS
- 40 - 3/8" FLATWASHERS
- 20 - 1/2" FLATWASHERS
- 100 - 9/16" to 3/4" FLATWASHERS

MOLDED NYLON FASTENERS PROVIDE ELECTRICAL INSULATION, VIBRATION AND CORROSION RESISTANCE. HAVE A LOW THERMAL CONDUCTIVITY, ARE

NON-MAGNETIC AND HAVE A HIGH STRENGTH-TO-WEIGHT RATIO. PACKAGED IN LARGE REUSABLE TRANSPARENT PLASTIC STORAGE BOXES.

IDEAL FOR:

- PROTOTYPE WORK** - Large working assortments.
- PRODUCT DESIGN** - Latest designs for increased productivity.
- MODEL MAKING** - Commercially available standard parts.
- SHOP AND MAINTENANCE** - Convenient selection.

O4ASO190TLT



Over 180 Assorted Nylon Twist Lock Ties
in 6 Popular Sizes.

"EZ" TWIST LOCKS

ASSORTMENT CONSISTS OF APPROXIMATELY:

- 50 - 1/4" TWIST LOCK TIES
- 30 - 3/8" TWIST LOCK TIES
- 30 - 1/2" TWIST LOCK TIES
- 20 - 5/8" TWIST LOCK TIES
- 30 - 3/4" TWIST LOCK TIES
- 30 - 15/16" TWIST LOCK TIES

O4ASO201AFB



ALL-FIT BUSHINGS

ASSORTMENT CONSISTS OF APPROXIMATELY:

- 15 - 22AF1000
- 15 - 22AF1093
- 30 - 22AF0875
- 36 - 22AF0812
- 45 - 22AF0750
- 60 - 22AF0625

Over 200 Nylon All-Fit Bushings
in 6 Popular Sizes

FASTENER ASSORTMENT KITS

SECTION XI

MOLDED NYLON FASTENERS PROVIDE ELECTRICAL INSULATION, VIBRATION AND CORROSION RESISTANCE. HAVE A LOW THERMAL CONDUCTIVITY, ARE

NON-MAGNETIC AND HAVE A HIGH STRENGTH-TO-WEIGHT RATIO. PACKAGED IN LARGE REUSABLE TRANSPARENT PLASTIC STORAGE BOXES.

IDEAL FOR:

PROTOTYPE WORK - Large working assortments.

PRODUCT DESIGN - Latest designs for increased productivity.

MODEL MAKING - Commercially available standard parts.

SHOP AND MAINTENANCE - Convenient selection.

O4ASO113LCA

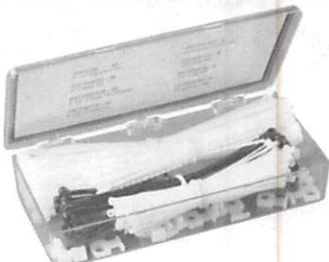


Over 100 Lamp Accessories LAMP ACCESSORIES

ASSORTMENT CONSISTS OF APPROXIMATELY:

- 10 - 3 1/2" THREADED TUBING
- 25 - 1/8" LAMP SNAP BUSHING
- 8 - 1/8 NPS LAMPCORD BUSHING
- 6 - 1/4 NPS LAMPCORD BUSHING
- 4 - 3/8 NPS LAMPCORD BUSHING
- 3 - 1/2 NPS LAMPCORD BUSHING
- 3 - 1/2 NPS 2 PC. THREADED BUSHING
- 10 - 23MP04K10
- 10 - 23MP04L40
- 10 - 23MP04N40
- 10 - 22MP05005
- 15 - 22MP01020

O4ASO180WT



WIRE/CABLE TIES

ASSORTMENT CONSISTS OF APPROXIMATELY:

- 144 - WIRE TIES 4" to 6 3/4" Natural & Black
- 40 - BEADED TIES 4 1/4" Long
- 26 - ASSORTED CLIPS, TABS AND MOUNTS

O4ASO150SB



INSULATING BUSHINGS

ASSORTMENT CONSISTS OF APPROXIMATELY:

- 24 - 22MP01010
- 24 - 22MP01015
- 24 - 22MP01030
- 24 - 22MP01050
- 12 - 22MP01060
- 12 - 22MP01080
- 24 - 22MP03754
- 24 - 22MP05004
- 12 - 22MP05627
- 6 - 22MP06258
- 6 - 22MP07510
- 6 - 22MP10012

O4ASO130NHP



HOLE PLUGS

ASSORTMENT CONSISTS OF THE FOLLOWING HOLE PLUGS IN SMOOTH AND MATTE FINISH. APPROXIMATE COUNTS.

- 10 - 3/16" HOLE PLUGS
- 10 - 1/4" HOLE PLUGS
- 10 - 5/16" HOLE PLUGS
- 10 - 3/8" HOLE PLUGS
- 10 - 7/16" HOLE PLUGS
- 10 - 1/2" HOLE PLUGS
- 10 - 9/16" HOLE PLUGS
- 10 - 5/8" HOLE PLUGS
- 10 - 11/16" HOLE PLUGS
- 10 - 3/4" HOLE PLUGS
- 10 - 13/16" HOLE PLUGS
- 10 - 7/8" HOLE PLUGS
- 10 - 1" HOLE PLUGS

Over 130 Plugs in 13 Different Sizes and Types



www.aboveboardelectronics.com

1-800-453-1692

