



THIS PRODUCT MANUFACTURED WITH LEAD-FREE PROCESSING

DESIGNED & DIMENSIONED IN MILLIMETERS [INCHES]

SMA-P-C-XX-RA-CA7-X

GENDER
-P: PLUG

TYPE
-C: CABLE

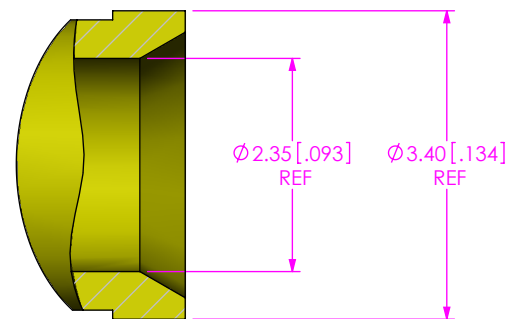
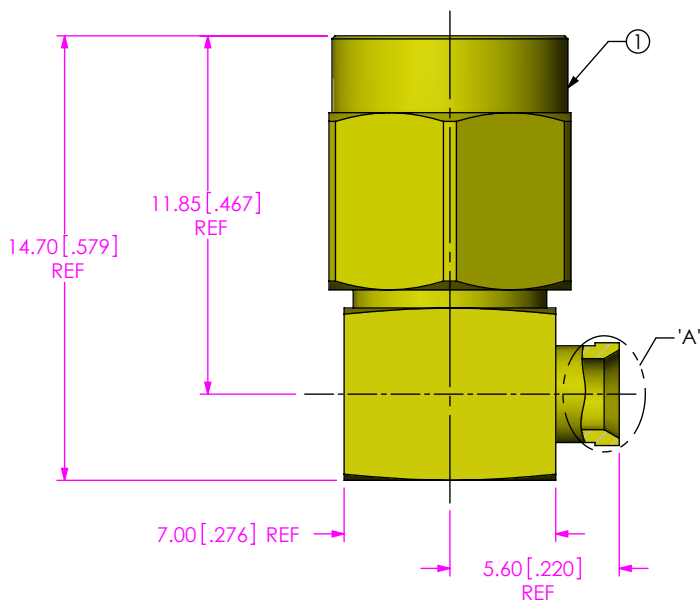
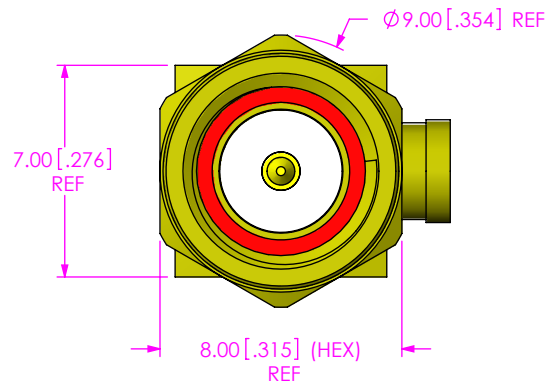
PACKAGING
-BLANK: INDIVIDUALLY BAGGED
-B: BULK PACKAGED (QTY=100 MAX)

TERMINATION
-CA7: CCA-405-X (RG405 CABLE)

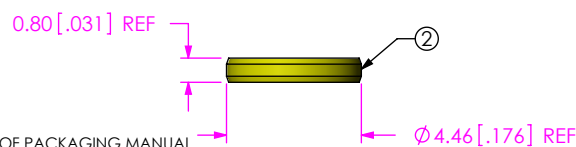
ORIENTATION
-RA: RIGHT ANGLE

PLATING SPECIFICATION
-HF: 30µ" GOLD CENTER CONTACT, 3µ" GOLD OUTER CONTACT
-GF: 10µ" GOLD CENTER CONTACT, 3µ" GOLD OUTER CONTACT
-GN: 10µ" GOLD CENTER CONTACT, 3µ" GOLD ON OUTER CONTACT, 100µ" NICKEL ON COUPLING NUT AND CAP (SEE TABLE 1)

TABLE 1				
ITEM	COMPONENT	-HF	-GF	-GN
1	SUB ASSEMBLY	SUB-SMA-P-C-HF-RA-CA7	SUB-SMA-P-C-GF-RA-CA7	SUB-SMA-P-C-GN-RA-CA7
2	CAP	SMA-CAP-002-F	SMA-CAP-002-F	SMA-CAP-002-N



DETAIL 'A'
SCALE 12:1



NOTES:

- ① REPRESENTS A CRITICAL DIMENSION.
- PRODUCT TO BE PACKAGED PER PRECISION RF SECTION OF PACKAGING MANUAL.
TRAY: TY-SMA001-1
COVER: TY-SMA001-2
100 PARTS PER TRAY (1 PART PER POCKET)
- CAP TO BE PACKAGED SEPARATELY.

UNLESS OTHERWISE SPECIFIED, DIMENSIONS ARE IN MILLIMETERS.

TOLERANCES ARE:

DECIMALS ANGLES
.X: ±0.3 [.01] 5°
.XX: ±0.13 [.005]
.XXX: ±0.051 [.0020]

PROPRIETARY NOTE

THIS DOCUMENT CONTAINS INFORMATION CONFIDENTIAL AND PROPRIETARY TO SAMTEC, INC. AND SHALL NOT BE REPRODUCED OR TRANSFERRED TO OTHER DOCUMENTS OR DISCLOSED TO OTHERS OR USED FOR ANY PURPOSE OTHER THAN THAT WHICH IT WAS OBTAINED WITHOUT THE EXPRESSED WRITTEN CONSENT OF SAMTEC, INC.

MATERIAL: DO NOT SCALE DRAWING
CABLE BODY, COUPLING NUT, CAP: BRASS
C-RING: STAINLESS STEEL
GASKET: SILICONE
CONTACT PIN: BRASS
INSULATOR: PTFE

SHEET SCALE: 4:1

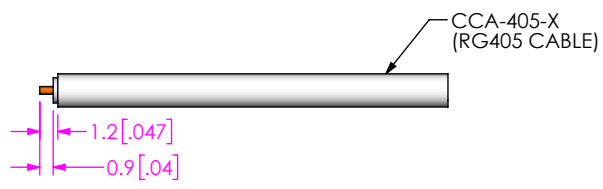
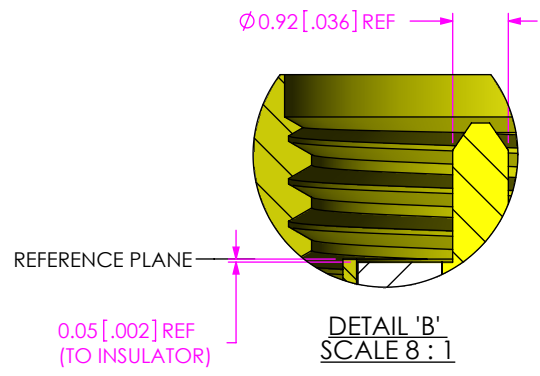


520 PARK EAST BLVD., NEW ALBANY, IN 47150
PHONE: 812-944-6733 FAX: 812-948-5047
e-Mail: info@SAMTEC.com code 55322

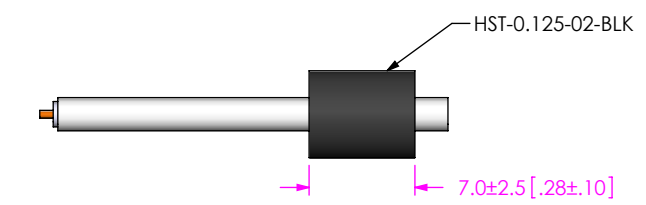
DESCRIPTION:
SMA 50 OHM, RIGHT ANGLE PLUG FOR RG405

DWG. NO. SMA-P-C-XX-RA-CA7-X

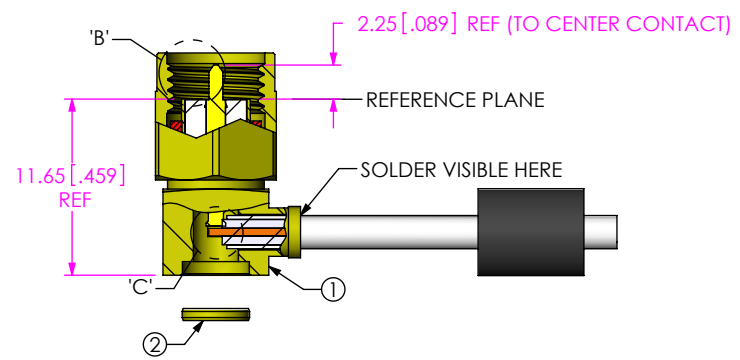
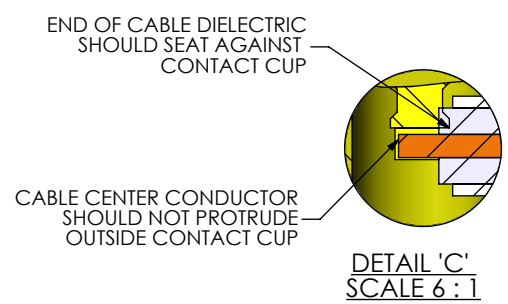
BY: ALVIN W 10/26/2010 SHEET 1 OF 3



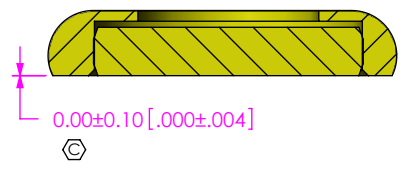
PROCESS 1
STRIP AND TIN INNER CONDUCTOR



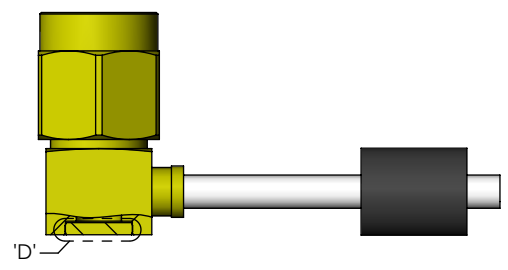
PROCESS 2
ADD HEAT SHRINK TUBE



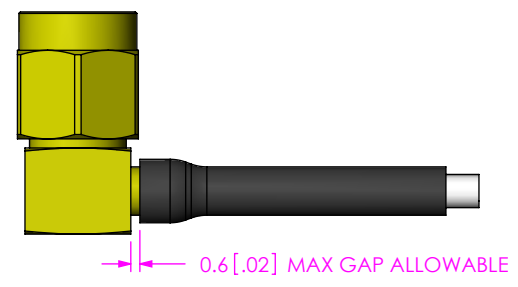
PROCESS 3
ADD SUB ASSEMBLY & SOLDER SIGNAL PIN & SOLDER BRAID



DETAIL 'D'
SCALE 8 : 1



PROCESS 4
INSERT CAP



PROCESS 5
APPLY HEAT SHRINK TUBING

F:\DWG\MISC\MKTG\SMA-P-C-XX-RA-CA7-X-MKT.SLDDRW

PROPRIETARY NOTE
THIS DOCUMENT CONTAINS INFORMATION CONFIDENTIAL AND PROPRIETARY TO SAMTEC, INC. AND SHALL NOT BE REPRODUCED OR TRANSFERRED TO OTHER DOCUMENTS OR DISCLOSED TO OTHERS OR USED FOR ANY PURPOSE OTHER THAN THAT WHICH IT WAS OBTAINED WITHOUT THE EXPRESSED WRITTEN CONSENT OF SAMTEC, INC.

DO NOT SCALE DRAWING

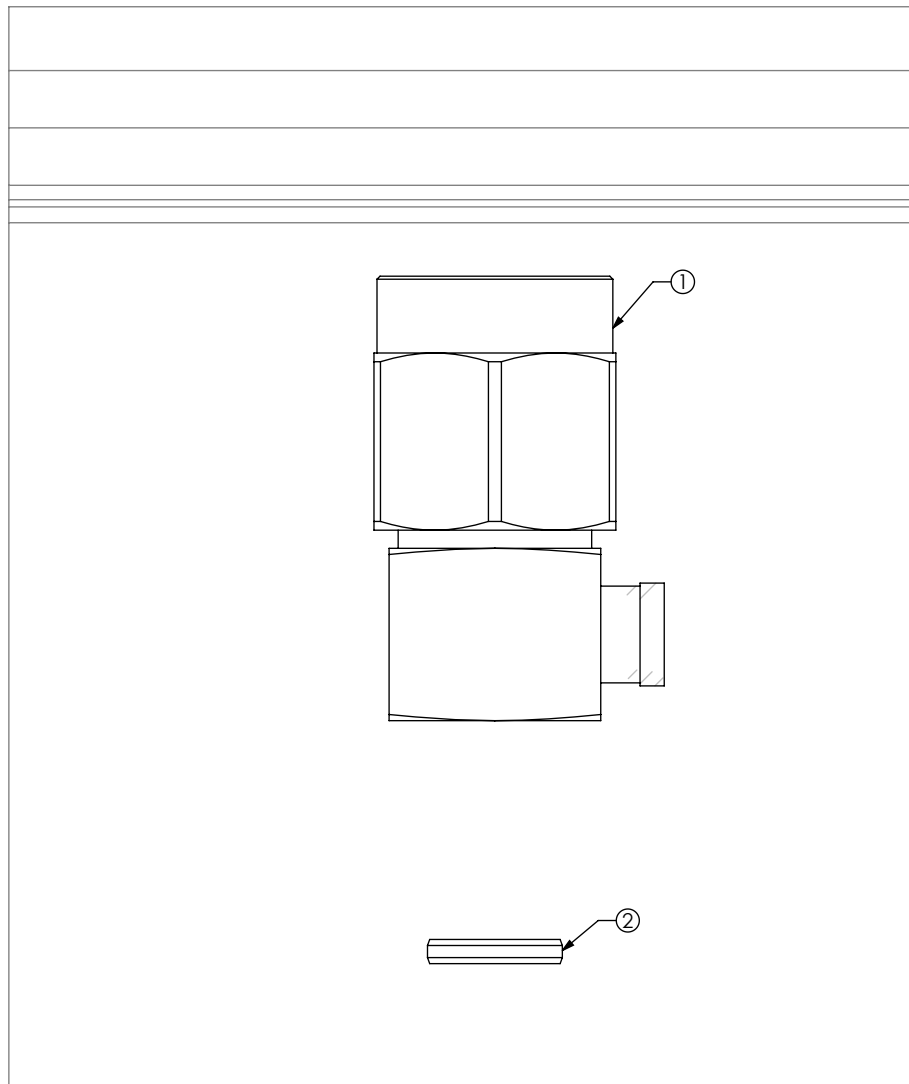
SHEET SCALE: 2:1

520 PARK EAST BLVD, NEW ALBANY, IN 47150
PHONE: 812-944-6733 FAX: 812-948-5047
e-Mail info@SAMTEC.com code 55322


DESCRIPTION:
SMA 50 OHM, RIGHT ANGLE PLUG FOR RG405

DWG. NO.
SMA-P-C-XX-RA-CA7-X

BY: ALVIN W 10/26/2010 SHEET 2 OF 3



SMA-P-C-XX-RA-CA7 SHOWN

<p>PROPRIETARY NOTE</p> <p>THIS DOCUMENT CONTAINS CONFIDENTIAL AND PROPRIETARY INFORMATION AND ALL DESIGN, MANUFACTURING, REPRODUCTION, USE, PATENT RIGHTS AND SALES RIGHTS ARE EXPRESSLY RESERVED BY SAMTEC, INC. THIS DOCUMENT SHALL NOT BE DISCLOSED, IN WHOLE OR PART, TO ANY UNAUTHORIZED PERSON OR ENTITY NOR REPRODUCED, TRANSFERRED OR INCORPORATED IN ANY OTHER PROJECT IN ANY MANNER WITHOUT THE EXPRESS WRITTEN CONSENT OF SAMTEC, INC.</p>	 <p>520 PARK EAST BLVD, NEW ALBANY, IN 47150 PHONE: 812-944-6733 FAX: 812-948-5047 e-Mail info@SAMTEC.com code 55322</p>
<p>DO NOT SCALE DRAWING SHEET SCALE: 4:1 INSULATOR: CONTACT OR TERMINAL: SHIELD: PHOS BRONZE PLATING: CONTACT AREA: .000010 REF GOLD REMAINDER: .000200 REF TIN</p>	<p>DESCRIPTION: SMA 50 OHM, RIGHT ANGLE PLUG FOR RG405 DWG. NO. SMA-P-C-XX-RA-CA7-X BY: ALVIN W 10/26/2010 SHEET 3 OF 3</p>