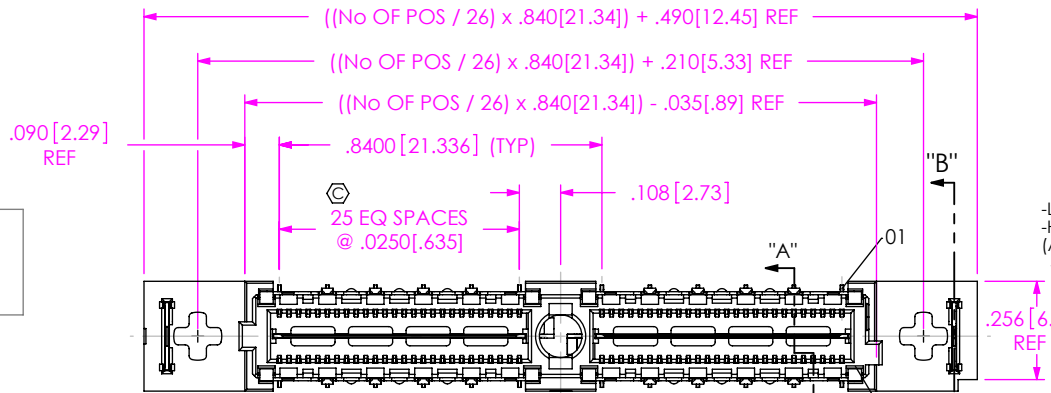


DO NOT SCALE FROM THIS PRINT



No OF POSITIONS
 -026, -052, -078, -104, *-130 (PER ROW)

LEAD STYLE
 -01

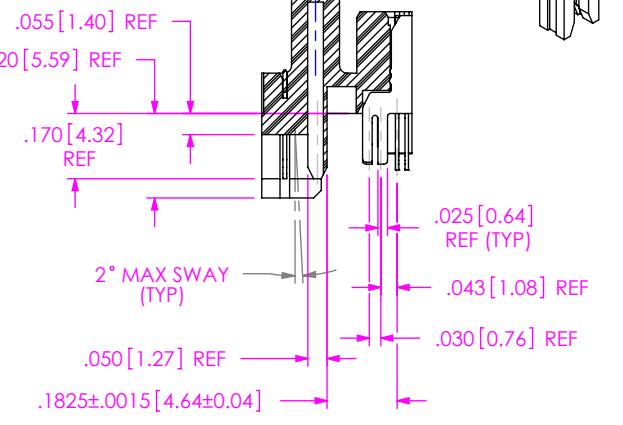
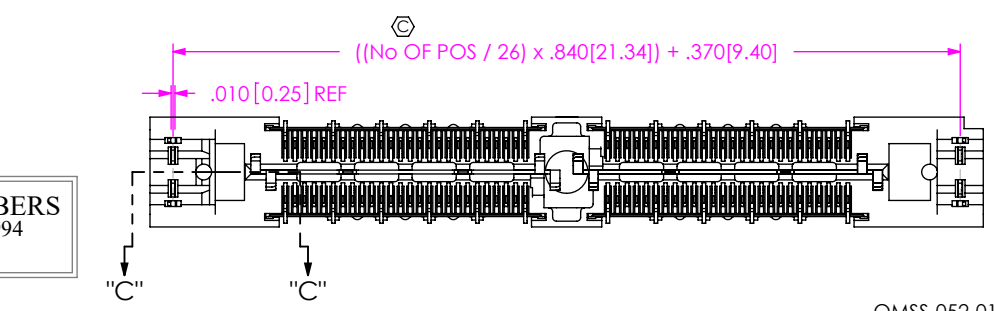
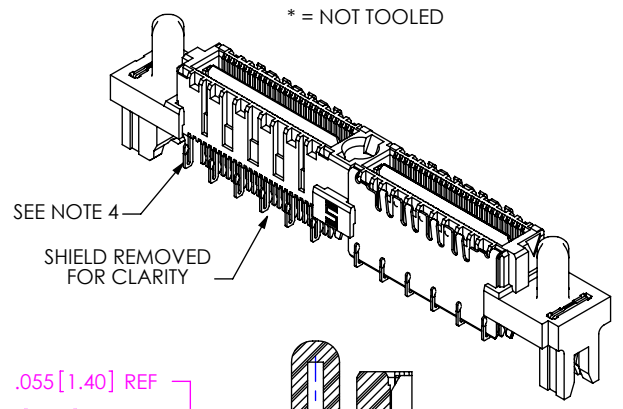
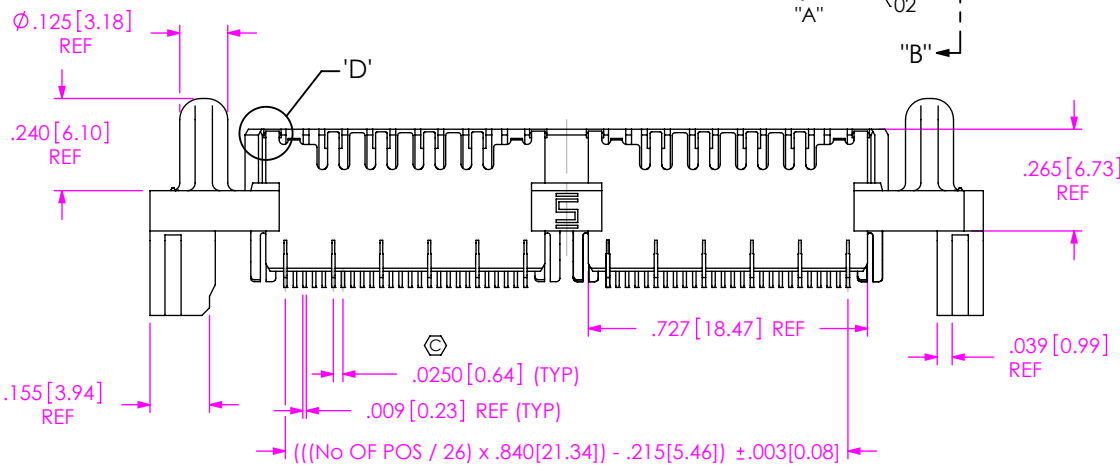
PLATING SPECIFICATION
 -L: LIGHT GOLD (USE T-1M25-01-L)
 -H: HEAVY GOLD (USE T-1M25-01-H)
 (ALL PLATING STYLES USE SH1-E2-L, T-1G22-01-G & WT-17-01-GF)

PACKAGING
 BLANK: TRAY (SEE NOTES 7 & 8)
 -TR: TAPE & REEL (SEE NOTES 8 & 9)
 -FR: FULL REEL QTY TAPE & REEL (SEE NOTES 8 & 9)
 (-TR & -FR AVAILABLE FOR: -026 & -052 WITH NO OPTIONS, -026 & -052 WITH -PC4, -026 WITH -PC8)

POWER COMBO OPTION
 (USE T-1S13-13-S-2)
 -PC4: 4 POWER POS PER END
 -PC8: 8 POWER POS PER END (SEE FIG 2, SHEET 3)
 [-PCX AVAILABLE ON POSITIONS -026, -052 & -078 ONLY]

ROW SPECIFICATION
 -D: DOUBLE

-EM2: EDGE MOUNT



PATENT NUMBERS
 6739884 / 7165994
 7121849

- NOTES:
1. \odot REPRESENTS A CRITICAL DIMENSION.
 2. MAXIMUM BURR ALLOWANCE: $.0015[0.038]$
 3. MINIMUM PUSHOUT FORCE: SIGNAL: .5 LB, SHIELD/GROUND & WELD TAB: 1 LB.
 4. TERMINALS IN THE FIRST POSITION OF EACH BANK AND EVERY FIFTH POSITION AFTER THAT WILL NOT BE SHEARED.
 5. MAXIMUM VARIANCE: $.002[0.05]$.
 6. NOTE DELETED.
 7. TRAYS ARE STANDARD PACKAGING.
 8. ORDERS WILL BE PACKAGED ACCORDING TO THE SAMTEC PACKAGING EFFICIENCY STANDARDS (SPES) FOUND ON WWW.SAMTEC.COM.
 9. ATTACH LABEL TO EACH REEL.

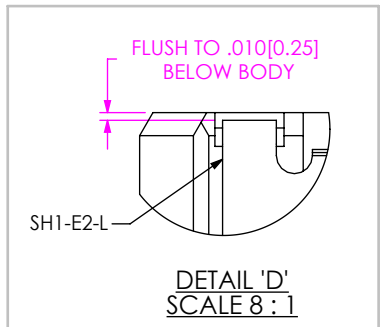
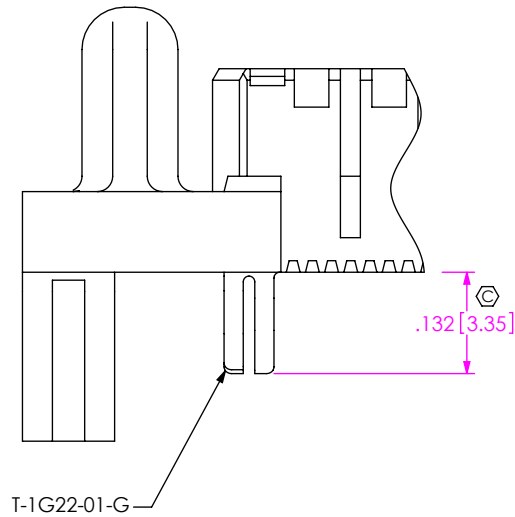


FIG 1
 QMSS-052-01-X-D-EM2 SHOWN

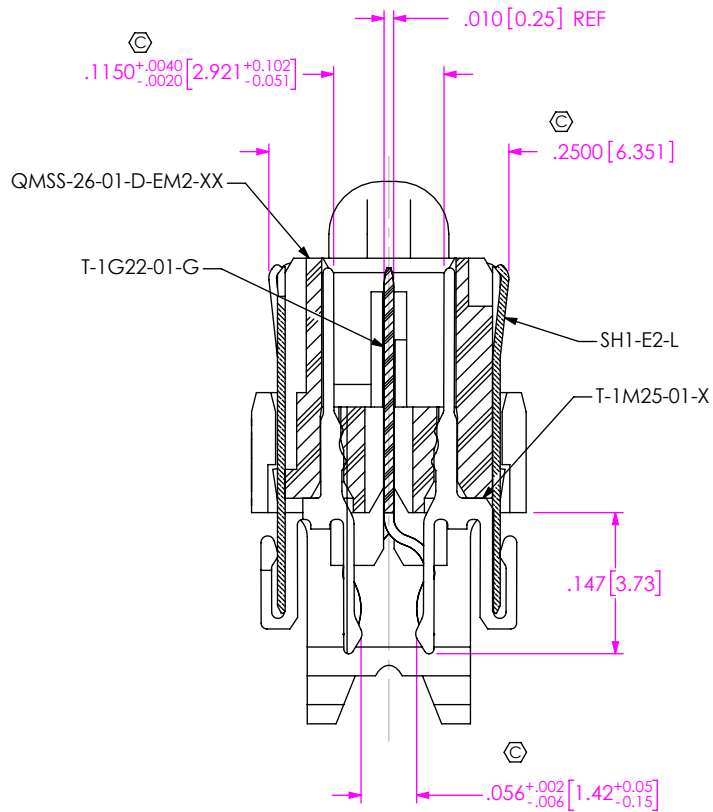
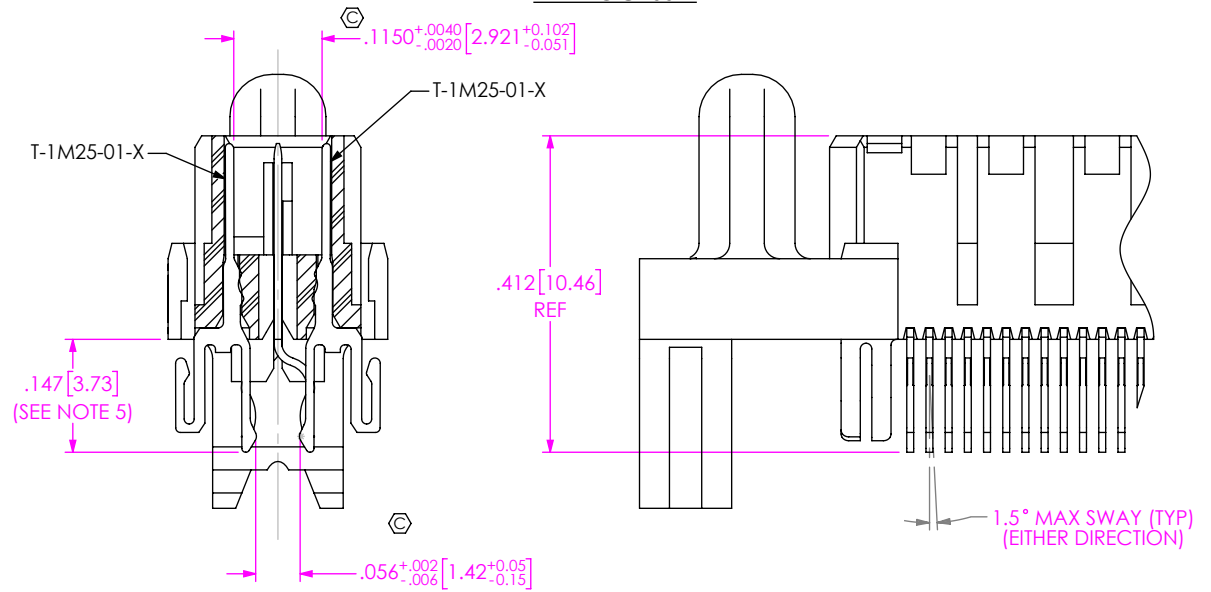
SECTION "C"-"C"

UNLESS OTHERWISE SPECIFIED, DIMENSIONS ARE IN INCHES. TOLERANCES ARE: DECIMALS ANGLES .XX: $\pm .01[.3]$ 2° .XXX: $\pm .005[.13]$.XXXX: $\pm .0020[.051]$	PROPRIETARY NOTE * THIS DOCUMENT CONTAINS CONFIDENTIAL AND PROPRIETARY INFORMATION AND ALL DESIGN, MANUFACTURING, REPRODUCTION, USE, PATENT RIGHTS AND SALES RIGHTS ARE EXPRESSLY RESERVED BY SAMTEC, INC. THIS DOCUMENT SHALL NOT BE DISCLOSED, IN WHOLE OR PART, TO ANY UNAUTHORIZED PERSON OR ENTITY NOR REPRODUCED, TRANSFERRED OR INCORPORATED IN ANY OTHER PROJECT IN ANY MANNER WITHOUT THE EXPRESS WRITTEN CONSENT OF SAMTEC, INC.	
MATERIAL: DO NOT SCALE DRAWING SHEET SCALE: 2:1 INSULATOR: INSULATOR: LCP, COLOR: BLACK TERMINAL, GROUND PLANE, & SHIELD: PHOS BRONZE	DESCRIPTION: .635mm DOUBLE ROW SHIELDED EDGE MOUNT TERMINAL STRIP	DWG. NO. QMSS-XXX-XX-X-D-EM2-XXX-XX
F:\DWG\MISC\MKTG\QMSS-XXX-XX-X-D-EM2-XXX-XX-MKT.SLDDRW	BY: BRATCHER 11/22/2002	SHEET 1 OF 3

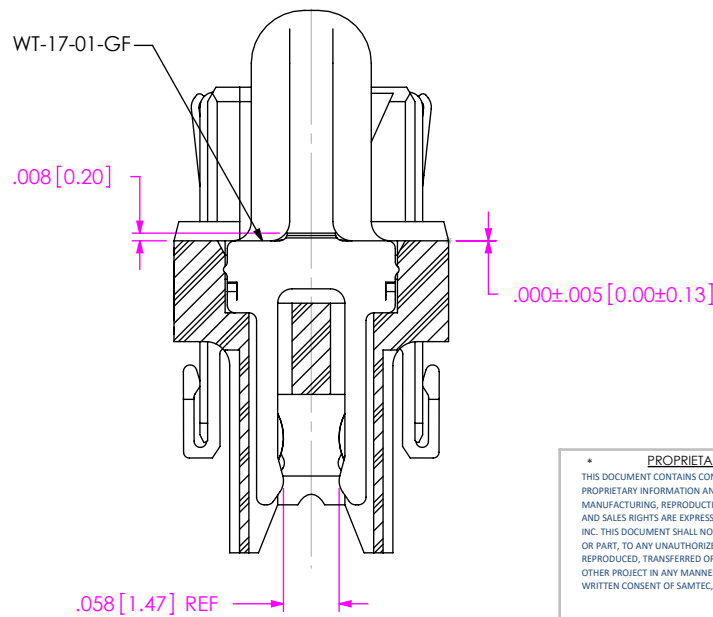
IN-PROCESS 1



IN-PROCESS 2

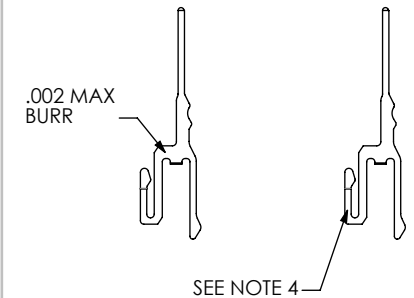


SECTION "A"-"A"
SCALE 5 : 1



SECTION "B"-"B"
SCALE 5 : 1

TERMINAL DETAILS



PROPRIETARY NOTE

THIS DOCUMENT CONTAINS CONFIDENTIAL AND PROPRIETARY INFORMATION AND ALL DESIGN, MANUFACTURING, REPRODUCTION, USE, PATENT RIGHTS AND SALES RIGHTS ARE EXPRESSLY RESERVED BY SAMTEC, INC. THIS DOCUMENT SHALL NOT BE DISCLOSED, IN WHOLE OR PART, TO ANY UNAUTHORIZED PERSON OR ENTITY NOR REPRODUCED, TRANSFERRED OR INCORPORATED IN ANY OTHER PROJECT IN ANY MANNER WITHOUT THE EXPRESS WRITTEN CONSENT OF SAMTEC, INC.

DO NOT SCALE DRAWING

SHEET SCALE: 1:0.4



520 PARK EAST BLVD, NEW ALBANY, IN 47150
PHONE: 812-944-6733 FAX: 812-948-5047
e-Mail: info@SAMTEC.com code: 55322

DESCRIPTION:
.635mm DOUBLE ROW SHIELDED EDGE MOUNT TERMINAL STRIP

DWG. NO.
QMSS-XXX-XX-X-D-EM2-XXX-XX

BY: BRATCHER 11/22/2002 SHEET 2 OF 3

FIG 2 -PCX OPTION

QMSS-052-01-X-D-EM2-PC4 SHOWN
 [DIFFERENT AS SHOWN, OTHERWISE SAME AS FIG 1]
 [AVAILABLE ON -026, -052 & -078 POSITIONS ONLY]

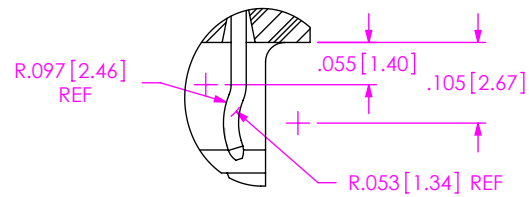
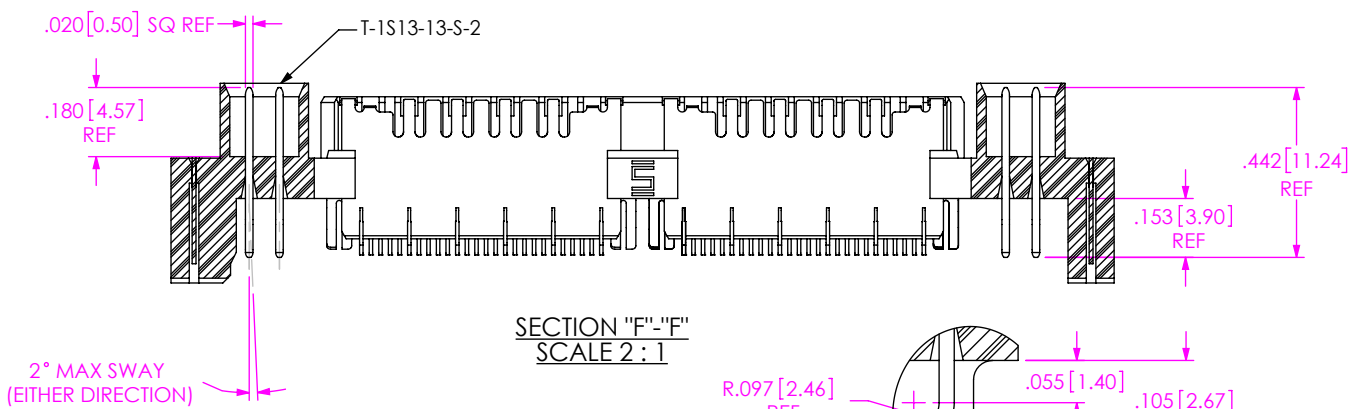
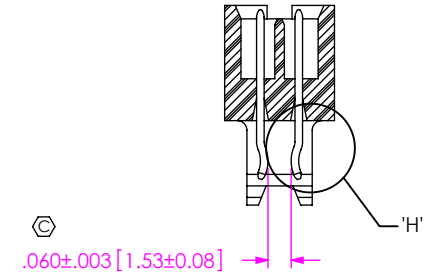
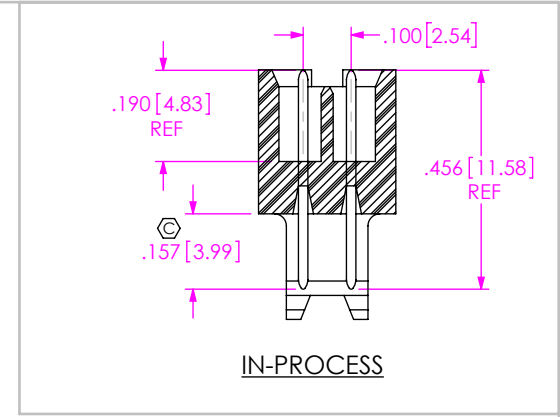
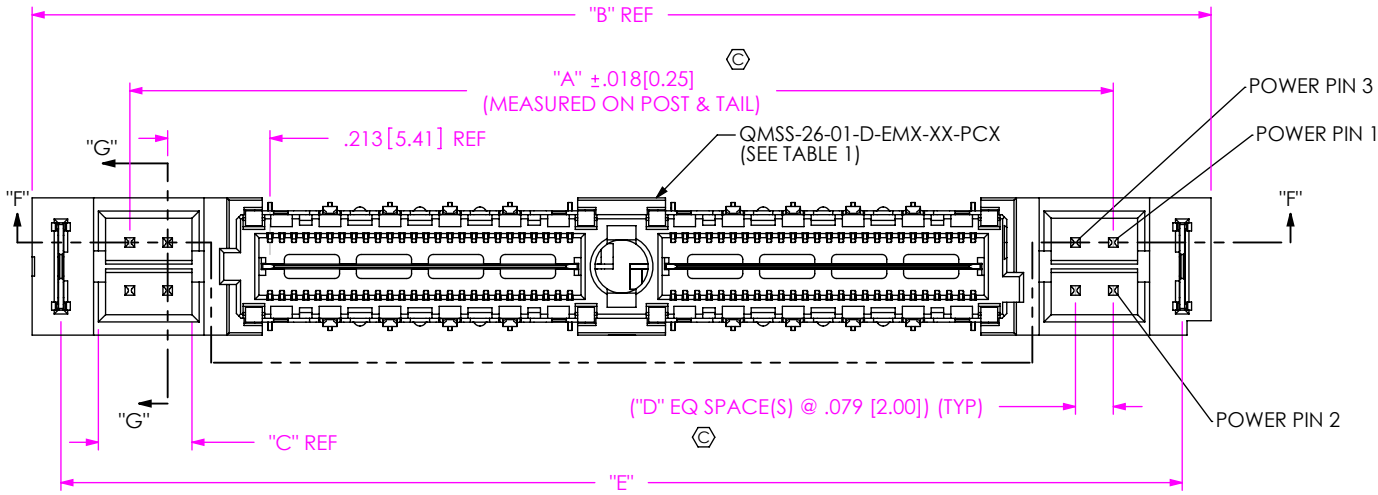


TABLE 1

ASSEMBLY	USE BODY	"A"	"B"	"C"	"D"	"E"
QMSS-026-01-X-D-EM2-PC4	QMSS-26-01-D-EM2-01-PC4	1.209 [30.70]	1.616 [41.05]	.180[4.57]	1	1.496[38.00]
QMSS-026-01-X-D-EM2-PC8	QMSS-26-01-D-EM2-01-PC8	1.524 [38.70]	1.931 [49.05]	.337[8.57]	3	1.811[46.00]
QMSS-052-01-X-D-EM2-PC4	QMSS-26-01-D-EM2-02-PC4	2.049 [52.04]	2.456 [62.38]	.180[4.57]	1	2.336[59.34]
QMSS-052-01-X-D-EM2-PC8	QMSS-26-01-D-EM2-02-PC8	2.364 [60.04]	2.771 [70.38]	.337[8.57]	3	2.651[67.34]
QMSS-078-01-X-D-EM2-PC4	QMSS-26-01-D-EM2-03-PC4	2.889 [73.37]	3.296 [83.72]	.180[4.57]	1	3.176[80.67]
QMSS-078-01-X-D-EM2-PC8	QMSS-26-01-D-EM2-03-PC8	3.204 [81.37]	3.611 [91.72]	.337[8.57]	3	3.491[88.67]

PROPRIETARY NOTE
 THIS DOCUMENT CONTAINS CONFIDENTIAL AND PROPRIETARY INFORMATION AND ALL DESIGN, MANUFACTURING, REPRODUCTION, USE, PATENT RIGHTS AND SALES RIGHTS ARE EXPRESSLY RESERVED BY SAMTEC, INC. THIS DOCUMENT SHALL NOT BE DISCLOSED, IN WHOLE OR PART, TO ANY UNAUTHORIZED PERSON OR ENTITY NOR REPRODUCED, TRANSFERRED OR INCORPORATED IN ANY OTHER PROJECT IN ANY MANNER WITHOUT THE EXPRESS WRITTEN CONSENT OF SAMTEC, INC.

DO NOT SCALE DRAWING
 SHEET SCALE: 1:0.4



520 PARK EAST BLVD, NEW ALBANY, IN 47150
 PHONE: 812-944-6733 FAX: 812-948-5047
 e-Mail: info@SAMTEC.com code: 55322

DESCRIPTION:
 .635mm DOUBLE ROW SHIELDED EDGE MOUNT TERMINAL STRIP

DWG. NO.
QMSS-XXX-XX-X-D-EM2-XXX-XX

BY: BRATCHER 11/22/2002 SHEET 3 OF 3