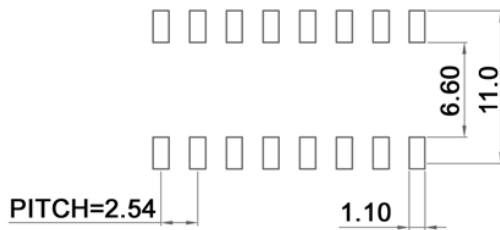


P.C. LAYOUT



Part No.	A ±0.2
SBP 9102 T	6.08
SBP 9103 T	8.62
SBP 9104 T	11.16
SBP 9105 T	13.70
SBP 9106 T	16.24
SBP 9107 T	18.78
SBP 9108 T	21.32
SBP 9110 T	26.40
SBP 9112 T	31.48

Specifications:

Contact rating: 25mA, 24V DC
 Contact resistance: 50mOhm
 Insulation resistance: 1 000MOhm at 100V DC
 Dielectric strength: 500V DC for 1 minute
 Operating force: 1 000g max.
 Mechanical life: 3 000 cycles
 Electrical life: 2 000 cycles
 Operating temperature: -40°C to +85°C

RoHS compliant

Material:

Cover / base: high temperature UL94V-0 thermoplastic, black
 Actuator: high temperature UL94V-0 thermoplastic, white
 Movable contact: copper alloy, gold plated
 Terminal: copper alloy, tin plated

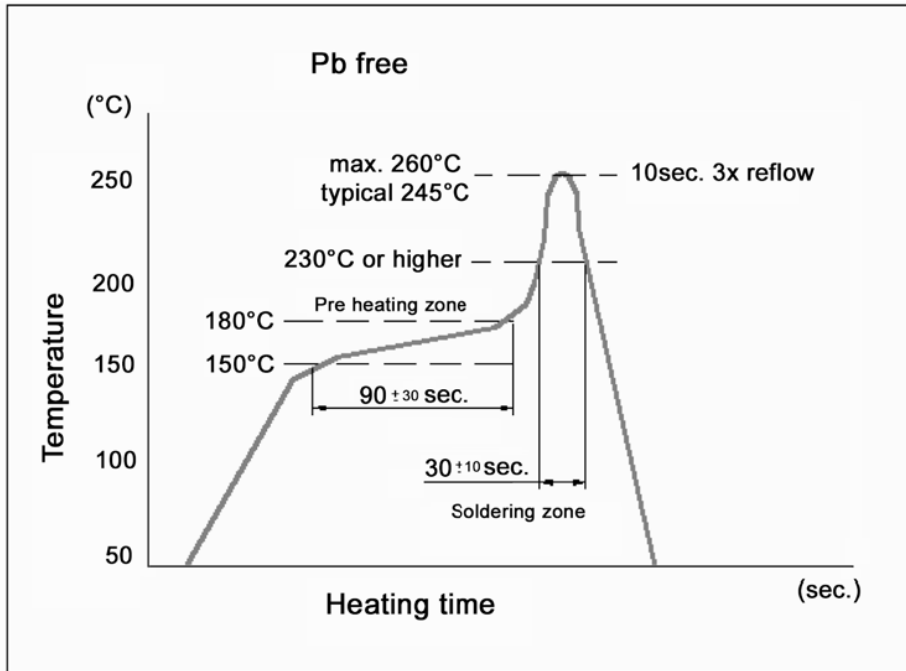
Maßstab			Datum	Name	<h1>SBP 9100 T</h1>
Oberfläche			08/05	dr	
Marking	09/07	dr			
Mechan. charac.	03/07	dr			
Temperature	10/06	dr			
Part No.	08/06	dr			
Taping spec.	01/06	dr			
Soldering profile	11/05	dr			
Zust	Änderung	Datum	Name		

knitter-switch

30 06 70

Blatt
1/3

Soldering conditions:

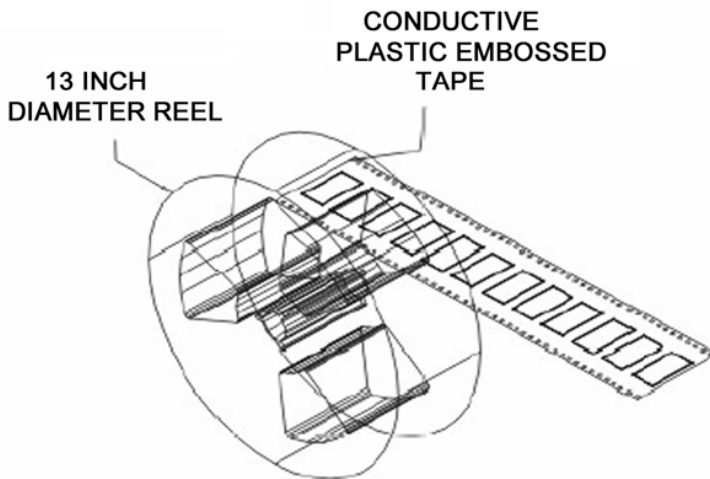
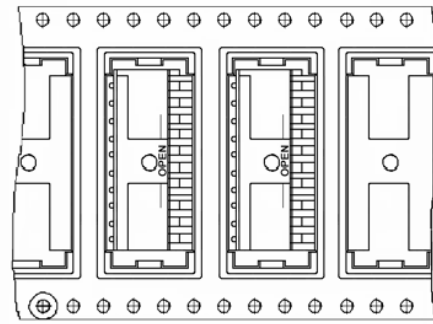
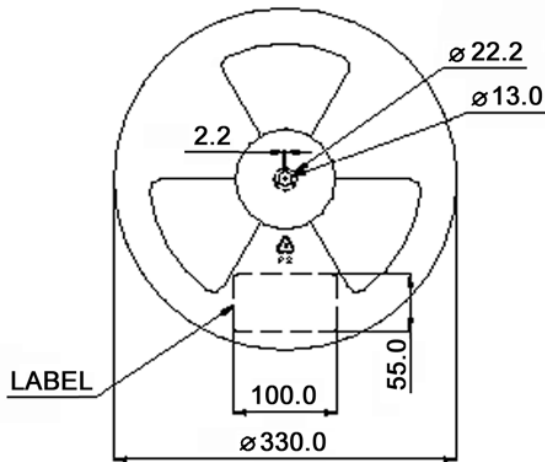


Mechanical and environmental characteristic:

- | | |
|---------------------------------|---|
| 1. Mechanical life | 5 000 cycles for per switch position |
| 2. Operating force | 1 000g max. |
| 3. Vibration | 1) frequency: 10-55Hz 1 minute / cycle
2) direction: 3 vertical directions (including the direction of operation)
3) test time: 2 hours each direction |
| 4. Shock | 1) peak value: 50G
2) duration: 11 +/-1msec.
3) testing direction: 6 sides
4) test cycle: 3 times / each direction
5) waveform: half-sine |
| 5. Humidity-temperature cycling | 1) temperature: 40°C +/-2°C
2) time: 48 hours
3) relative humidity: 90-95%RH
4) contact resistance: 100mOhm max. |

Maßstab		Datum		Name		SBP 9100 T
Oberfläche		08/05		dr		
						30 06 70
knitter-switch						Blatt
30 06 70						2/3
Zust	Änderung	Datum	Name			

Taping specification:



Part No.	Pcs. per reel	Carrier pitch	Carrier width
SBP 9102 T	700	12	24
SBP 9103 T	500	16	24
SBP 9104 T	500	16	24
SBP 9105 T	500	16	24
SBP 9106 T	500	16	24
SBP 9107 T	500	16	24
SBP 9108 T	500	16	44
SBP 9110 T	500	16	44
SBP 9112 T	500	16	44

Maßstab		Datum	Name
Oberfläche		08/05	dr
Zust	Änderung	Datum	Name

SBP 9100 T

30 06 70

Blatt
3/3

knitter-switch