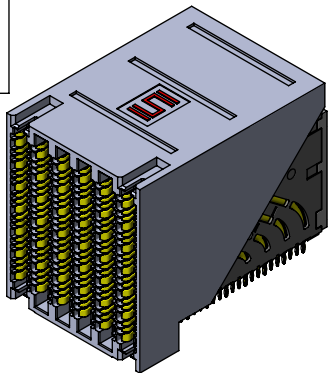


DO NOT SCALE FROM THIS PRINT



EBTF-6-XX-2.0-X-RA-X-X-X

- No. OF PAIRS PER COLUMN -6
- COLUMNS -06  
-08  
-10  
-12
- COLUMN PITCH -2.0: 2.0 mm
- PLATING SPECIFICATION -S: 30µ" SELECTIVE GOLD IN CONTACT AREA, MATTE TIN ON TAIL
- ORIENTATION -RA: RIGHT ANGLE
- KEYING (ONLY AVAILABLE WITH -L OR -R GUIDANCE)  
BLANK: NO KEYING  
-A THRU -H: DENOTES POSITION OF FLAT ON KEY (SEE KEYING POSITION TABLE, SHT 5)
- GUIDANCE  
BLANK: NONE  
-L: LEFT (SEE FIG 6, SHT 6)  
-R: RIGHT (SEE FIG 5, SHT 5)
- PIN CONFIGURATION (SEE NOTE 5)  
-1: STANDARD  
\*\*-5: OPEN PIN FIELD

(\*\* = NOT RELEASED)

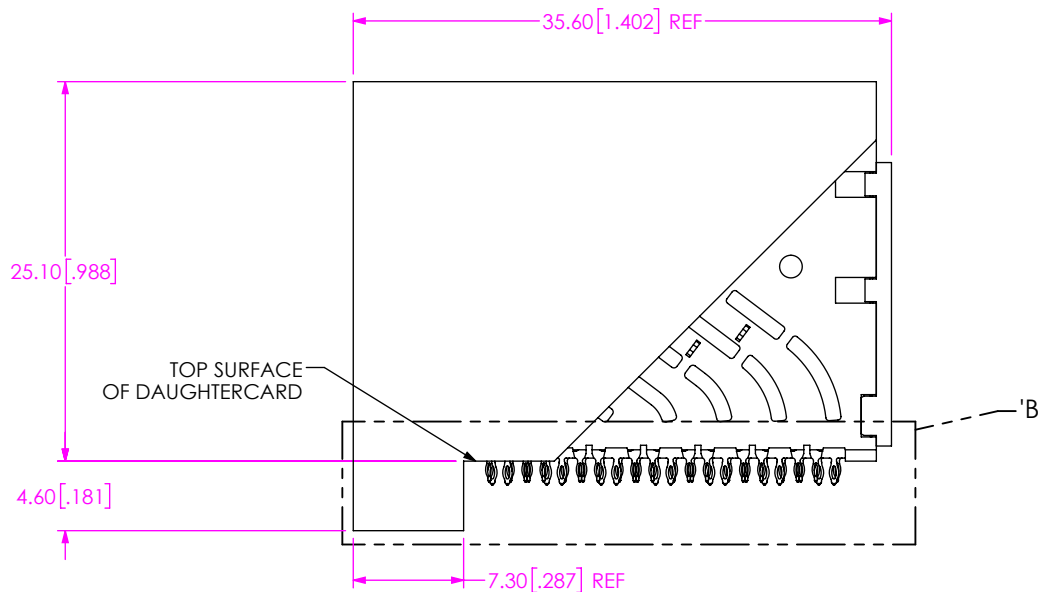
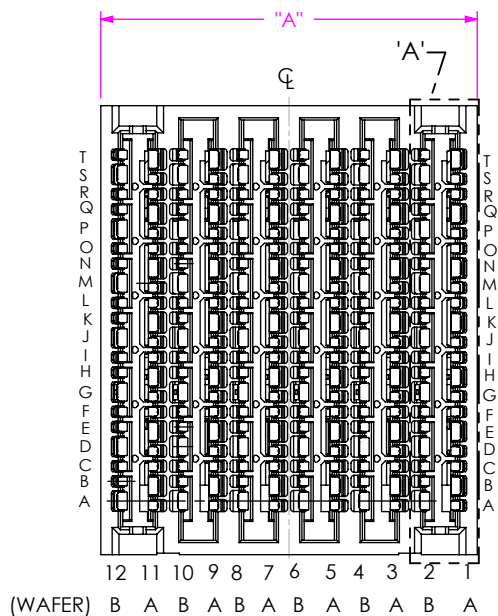


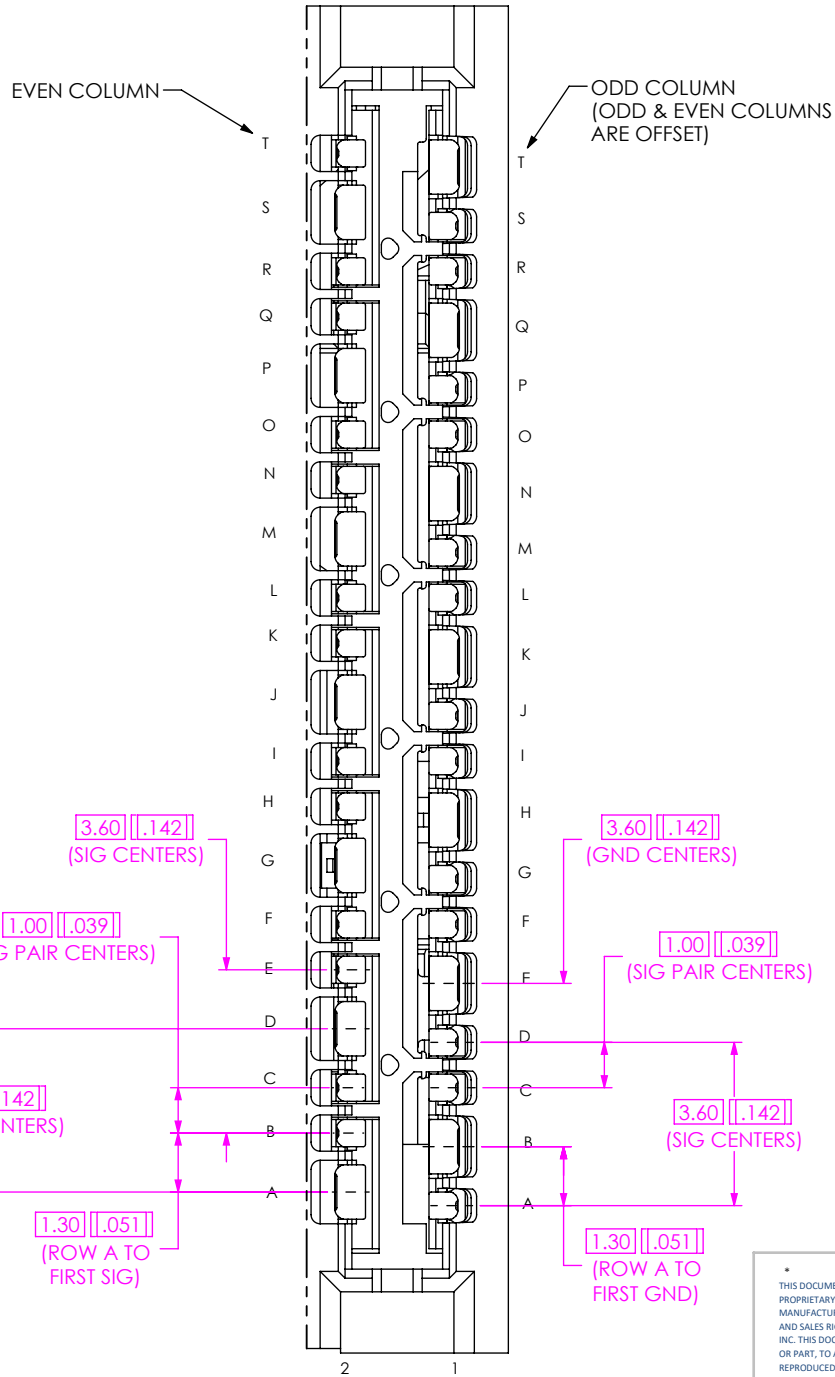
FIG 1  
EBTF-6-12-2.0-X-RA-1 SHOWN

COLUMNS	"A"	"B"	"C"
-06	12.90 [0.508]	10.00 [0.394]	5.20 [0.205]
-08	16.90 [0.665]	14.00 [0.551]	7.20 [0.283]
-10	20.90 [0.823]	18.00 [0.709]	9.20 [0.362]
-12	24.90 [0.980]	22.00 [0.866]	11.20 [0.441]

NOTES:

1. MINIMUM PUSHOUT FORCE: 2.22N [5 LB].
2. CONTACT SAMTEC FOR CONNECTOR PRESS FIT INSTRUCTIONS.
3. TRAYS TO BE STANDARD PACKAGING.
4. ORDERS WILL BE PACKAGED ACCORDING TO THE SAMTEC PACKAGING EFFICIENCY STANDARDS (SPES) FOUND ON WWW.SAMTEC.COM
5. -1 STANDARD IS FOR DIFFERENTIAL PAIRS, SEE FOOTPRINT DRAWING FOR DETAILS.

<p>UNLESS OTHERWISE SPECIFIED, DIMENSIONS ARE IN MILLIMETERS [INCHES]. TOLERANCES ARE:</p> <p>DECIMALS ANGLES X.X: ±0.3 [01] 2° X.XX: ±0.10 [004] X.XXX: ±0.050 [0019]</p>	<p>PROPRIETARY NOTE</p> <p>THIS DOCUMENT CONTAINS CONFIDENTIAL AND PROPRIETARY INFORMATION AND ALL DESIGN, MANUFACTURING, REPRODUCTION, USE, PATENT RIGHTS AND SALES RIGHTS ARE EXPRESSLY RESERVED BY SAMTEC, INC. THIS DOCUMENT SHALL NOT BE DISCLOSED, IN WHOLE OR PART, TO ANY UNAUTHORIZED PERSON OR ENTITY NOR REPRODUCED, TRANSFERRED OR INCORPORATED IN ANY OTHER PROJECT IN ANY MANNER WITHOUT THE EXPRESS WRITTEN CONSENT OF SAMTEC, INC.</p>	<p>520 PARK EAST BLVD, NEW ALBANY, IN 47150 PHONE: 812-944-6733 FAX: 812-948-5047 e-Mail: info@SAMTEC.com code 55322</p>



DETAIL 'A'  
SCALE 6 : 1

**PROPRIETARY NOTE**  
 \* THIS DOCUMENT CONTAINS CONFIDENTIAL AND PROPRIETARY INFORMATION AND ALL DESIGN, MANUFACTURING, REPRODUCTION, USE, PATENT RIGHTS AND SALES RIGHTS ARE EXPRESSLY RESERVED BY SAMTEC, INC. THIS DOCUMENT SHALL NOT BE DISCLOSED, IN WHOLE OR PART, TO ANY UNAUTHORIZED PERSON OR ENTITY NOR REPRODUCED, TRANSFERRED OR INCORPORATED IN ANY OTHER PROJECT IN ANY MANNER WITHOUT THE EXPRESS WRITTEN CONSENT OF SAMTEC, INC.

DO NOT SCALE DRAWING

SHEET SCALE: 2:1



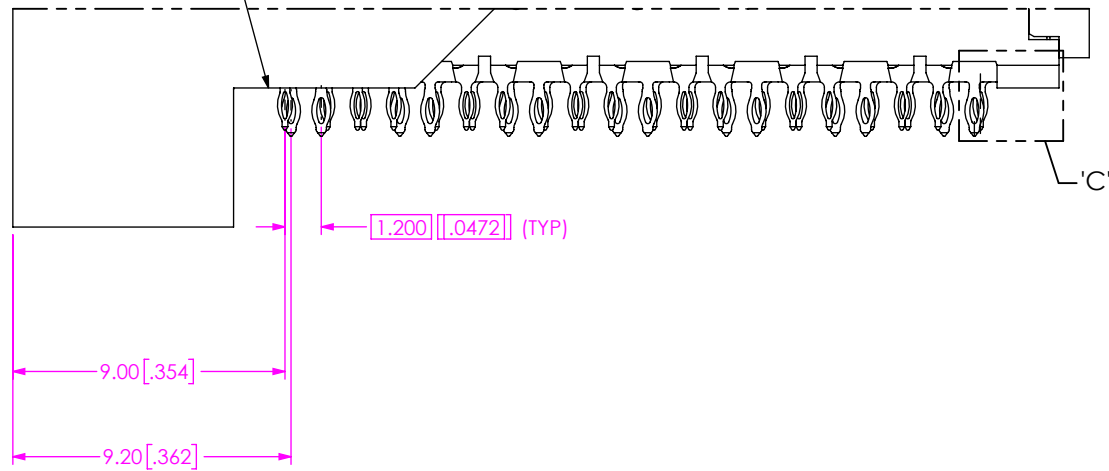
520 PARK EAST BLVD. NEW ALBANY, IN 47150  
 PHONE: 812-944-6733 FAX: 812-948-5047  
 e-Mail info@SAMTEC.com code 55322

DESCRIPTION:  
 EXAMAX™ RIGHT ANGLE RECEPTACLE ASSEMBLY

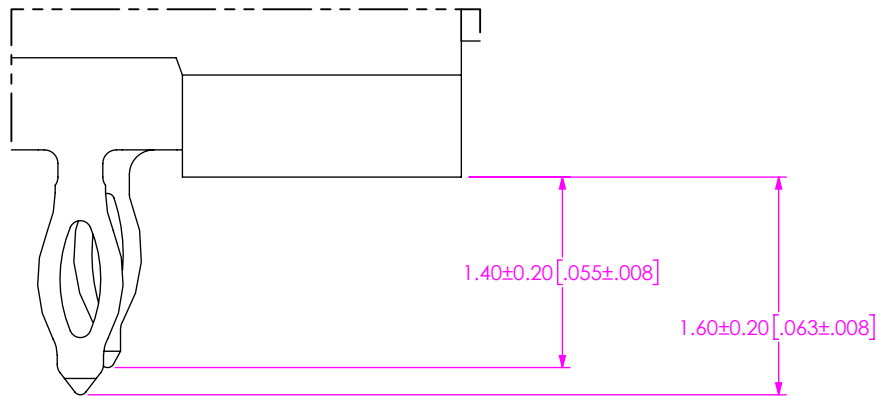
DWG. NO.  
 EBTf-6-XX-2.0-X-RA-X-X-X

BY: J. BROWNING 11/19/2014 SHEET 2 OF 6

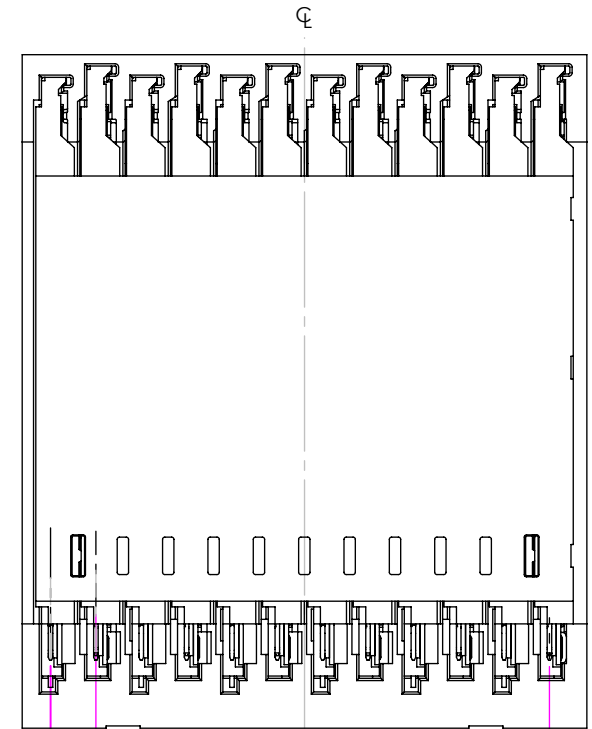
TOP SURFACE OF DAUGHTERCARD



DETAIL 'B'  
SCALE 4 : 1



DETAIL 'C'  
SCALE 18 : 1



2.00 [.079] (9 PLCS)  
(TOL NON-ACCUM)

"C"  
(TBL 1, SHT 1)

"B"  
(TBL 1, SHT 1)

BACK VIEW

**PROPRIETARY NOTE**  
THIS DOCUMENT CONTAINS CONFIDENTIAL AND PROPRIETARY INFORMATION AND ALL DESIGN, MANUFACTURING, REPRODUCTION, USE, PATENT RIGHTS AND SALES RIGHTS ARE EXPRESSLY RESERVED BY SAMTEC, INC. THIS DOCUMENT SHALL NOT BE DISCLOSED, IN WHOLE OR PART, TO ANY UNAUTHORIZED PERSON OR ENTITY NOR REPRODUCED, TRANSFERRED OR INCORPORATED IN ANY OTHER PROJECT IN ANY MANNER WITHOUT THE EXPRESS WRITTEN CONSENT OF SAMTEC, INC.

DO NOT SCALE DRAWING

SHEET SCALE: 3:1

**samtec**

520 PARK EAST BLVD, NEW ALBANY, IN 47150  
PHONE: 812-944-6733 FAX: 812-948-5047  
e-Mail info@SAMTEC.com code 55322

DESCRIPTION:  
EXAMAX™ RIGHT ANGLE RECEPTACLE ASSEMBLY

DWG. NO.

EBTF-6-XX-2.0-X-RA-X-X-X

BY: J. BROWNING 11/19/2014 SHEET 3 OF 6

TABLE 2				
COLUMNS	"D"		"E"	
-06	18.85	[0.742]	9.20	[0.362]
-08	22.85	[0.900]	11.20	[0.441]
-10	26.85	[1.057]	13.20	[0.520]
-12	30.85	[1.215]	15.20	[0.598]

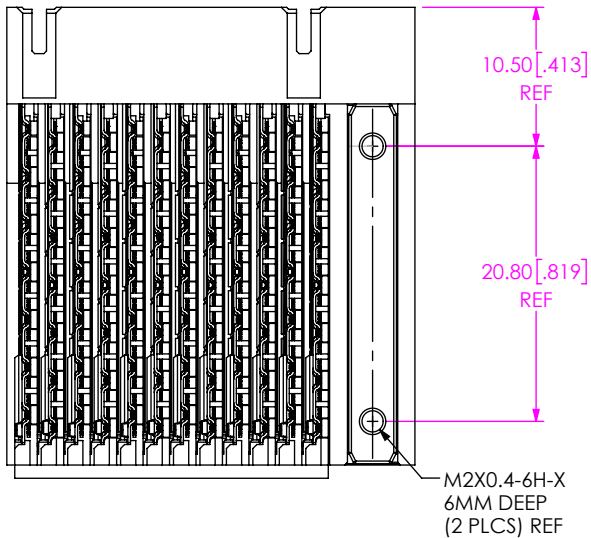
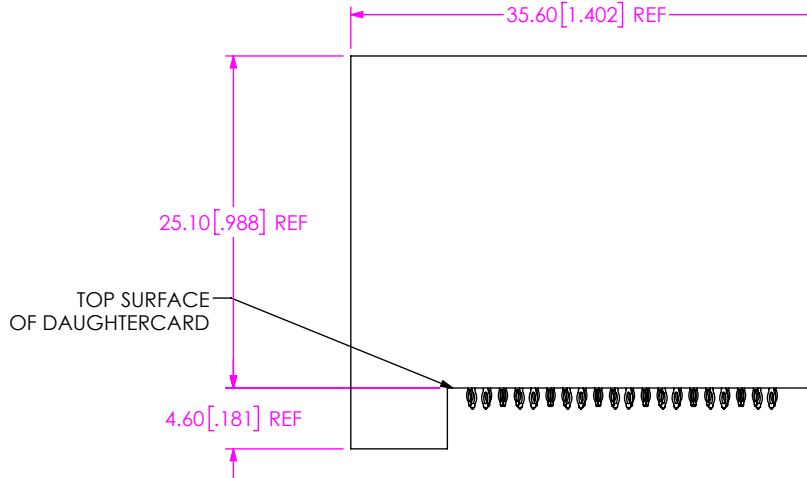
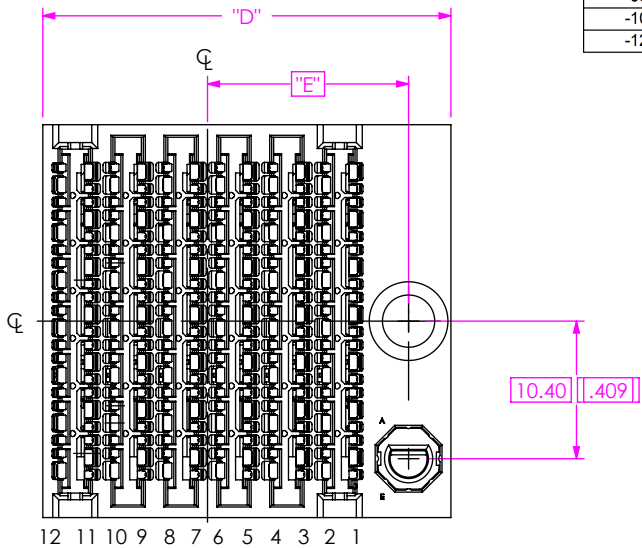


FIG 5  
RIGHT GUIDANCE  
EBTF-6-12-2.0-X-RA-X-R-A SHOWN  
(DIFFERENT AS SHOWN, OTHERWISE SAME AS FIG 1)

KEYING POSITION TABLE

		KEYING							
		-A	-B	-C	-D	-E	-F	-G	-H
-R / -L									

**PROPRIETARY NOTE**  
THIS DOCUMENT CONTAINS CONFIDENTIAL AND PROPRIETARY INFORMATION AND ALL DESIGN, MANUFACTURING, REPRODUCTION, USE, PATENT RIGHTS AND SALES RIGHTS ARE EXPRESSLY RESERVED BY SAMTEC, INC. THIS DOCUMENT SHALL NOT BE DISCLOSED, IN WHOLE OR PART, TO ANY UNAUTHORIZED PERSON OR ENTITY NOR REPRODUCED, TRANSFERRED OR INCORPORATED IN ANY OTHER PROJECT IN ANY MANNER WITHOUT THE EXPRESS WRITTEN CONSENT OF SAMTEC, INC.

DO NOT SCALE DRAWING

SHEET SCALE: 1:75:1



520 PARK EAST BLVD, NEW ALBANY, IN 47150  
PHONE: 812-944-6733 FAX: 812-948-5047  
e-Mail info@SAMTEC.com code 55322

DESCRIPTION:  
EXAMAX™ RIGHT ANGLE RECEPTACLE ASSEMBLY

DWG. NO.  
EBTF-6-XX-2.0-X-RA-X-X-X

BY: J. BROWNING 11/19/2014 SHEET 4 OF 6

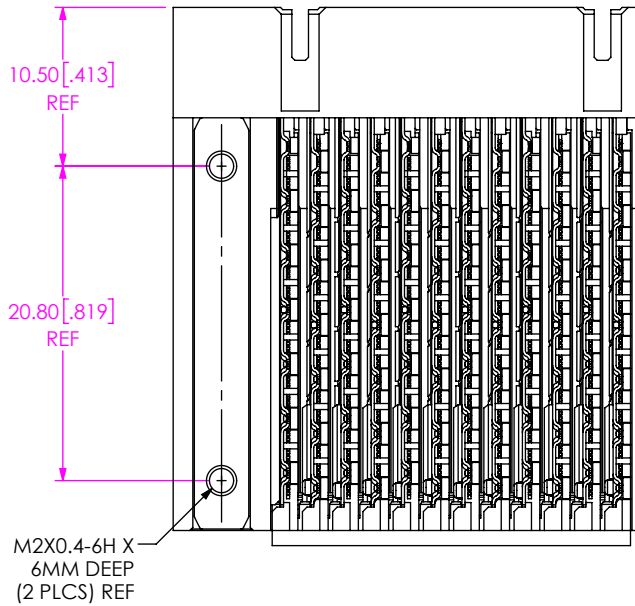
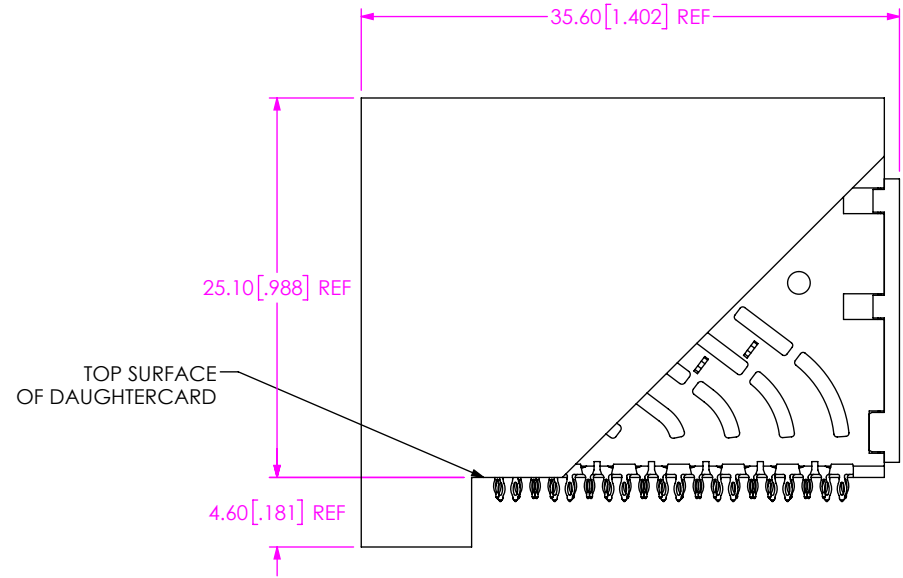
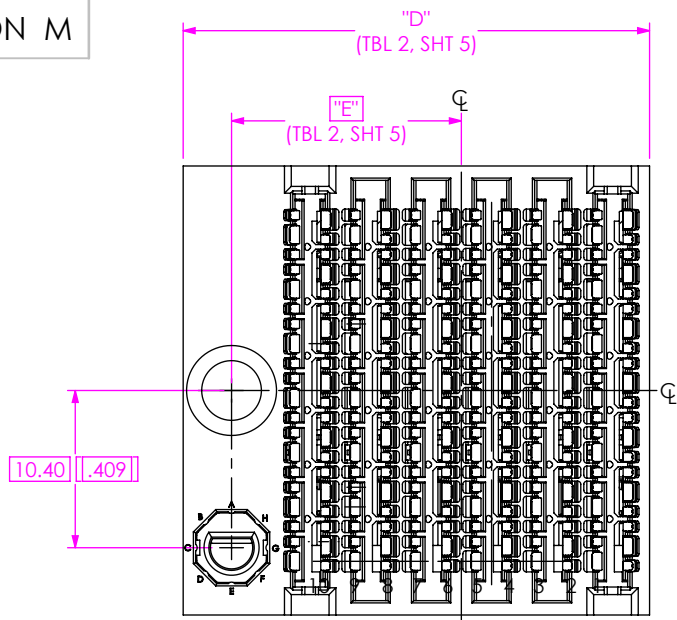


FIG 6  
LEFT GUIDANCE  
EBTF-6-12-2.0-X-RA-X-L-A SHOWN  
(DIFFERENT AS SHOWN, OTHERWISE SAME AS FIG 5)

**PROPRIETARY NOTE**  
THIS DOCUMENT CONTAINS CONFIDENTIAL AND PROPRIETARY INFORMATION AND ALL DESIGN, MANUFACTURING, REPRODUCTION, USE, PATENT RIGHTS AND SALES RIGHTS ARE EXPRESSLY RESERVED BY SAMTEC, INC. THIS DOCUMENT SHALL NOT BE DISCLOSED, IN WHOLE OR PART, TO ANY UNAUTHORIZED PERSON OR ENTITY NOR REPRODUCED, TRANSFERRED OR INCORPORATED IN ANY OTHER PROJECT IN ANY MANNER WITHOUT THE EXPRESS WRITTEN CONSENT OF SAMTEC, INC.

DO NOT SCALE DRAWING

SHEET SCALE: 2:1

**samtec**

520 PARK EAST BLVD, NEW ALBANY, IN 47150  
PHONE: 812-944-6733 FAX: 812-948-5047  
e-Mail info@SAMTEC.com code 55322

DESCRIPTION:  
EXAMAX™ RIGHT ANGLE RECEPTACLE ASSEMBLY

DWG. NO.

EBTF-6-XX-2.0-X-RA-X-X-X

BY: J. BROWNING 11/19/2014 SHEET 5 OF 6

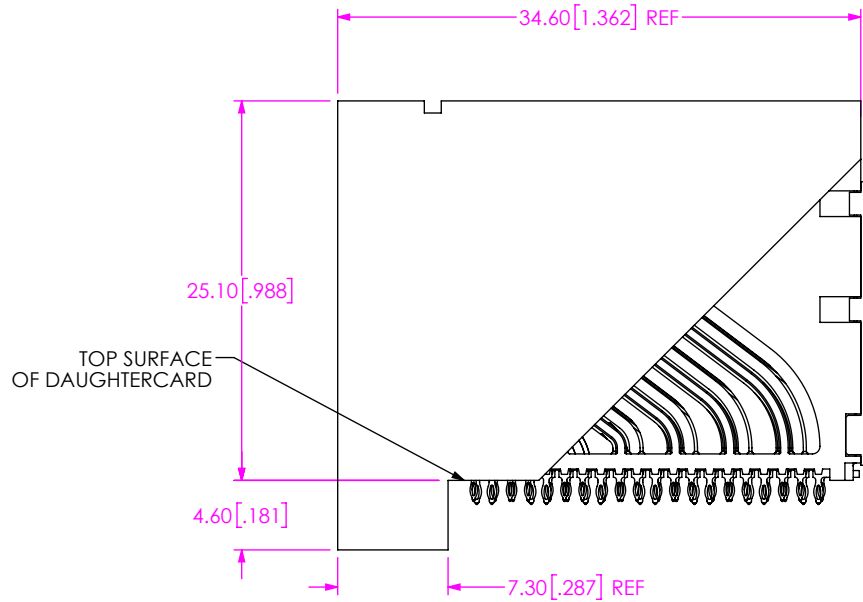
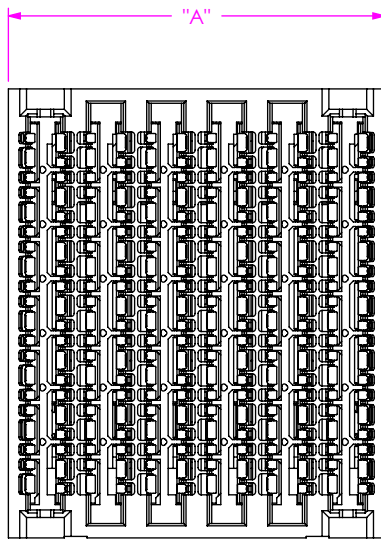
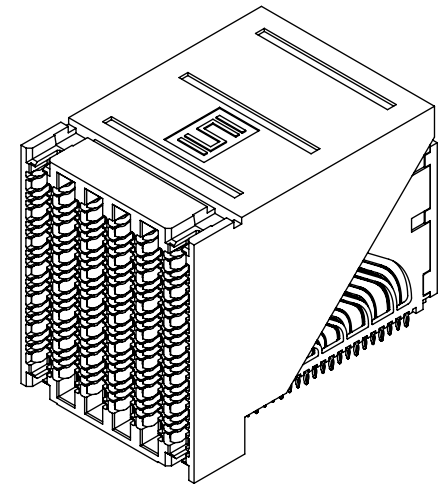


FIG 7  
 OPEN PIN FIELD  
 EBTF-6-12-2.0-X-RA-5 SHOWN  
 (DIFFERENT AS SHOWN, OTHERWISE SAME AS FIG 1)

**PROPRIETARY NOTE**  
 \* THIS DOCUMENT CONTAINS CONFIDENTIAL AND PROPRIETARY INFORMATION AND ALL DESIGN, MANUFACTURING, REPRODUCTION, USE, PATENT RIGHTS AND SALES RIGHTS ARE EXPRESSLY RESERVED BY SAMTEC, INC. THIS DOCUMENT SHALL NOT BE DISCLOSED, IN WHOLE OR PART, TO ANY UNAUTHORIZED PERSON OR ENTITY NOR REPRODUCED, TRANSFERRED OR INCORPORATED IN ANY OTHER PROJECT IN ANY MANNER WITHOUT THE EXPRESS WRITTEN CONSENT OF SAMTEC, INC. \*



520 PARK EAST BLVD., NEW ALBANY, IN 47150  
 PHONE: 812-944-6733 FAX: 812-948-5047  
 e-Mail info@SAMTEC.com code 55322

SHEET SCALE: 2:1

DESCRIPTION:  
 EXAMAX™ RIGHT ANGLE RECEPTACLE ASSEMBLY

DWG. NO.  
 EBTF-6-XX-2.0-X-RA-X-X-X

BY: J. BROWNING 11/19/2014 SHEET 6 OF 6