

DO NOT SCALE FROM THIS PRINT

TABLE 1			
ITEM	COMPONENT	PART NUMBER	QUANTITY
1	HOUSING	BAR-022	1
2	COVER	BAR-CVR-022	1
3	ELASTOMER	BAR-GKT-022	1
4	SCREW	CCS-151850-01-MP	4

BAR-J-22

NUMBER OF POSITIONS
-22: (USE BAR-022)

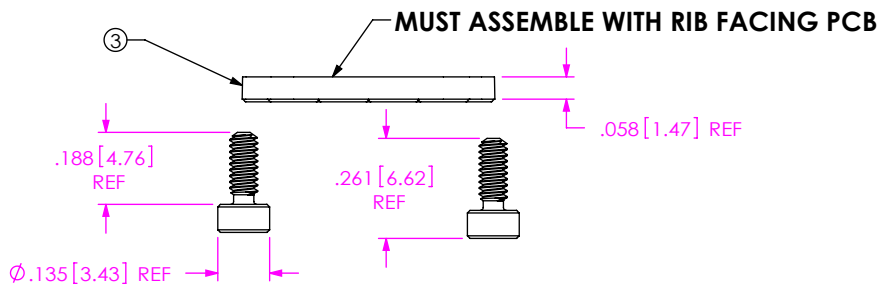
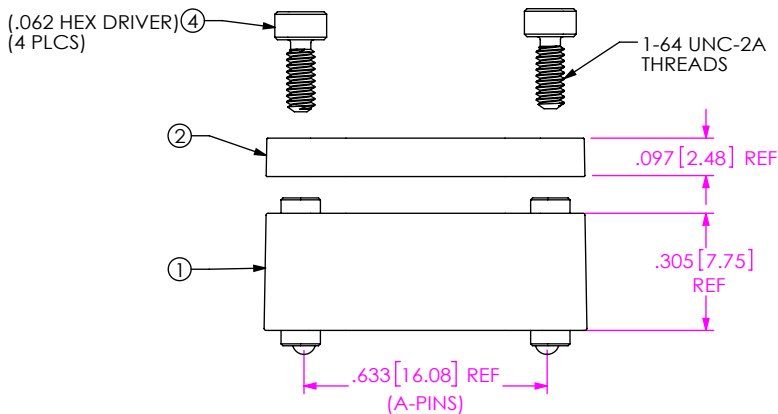
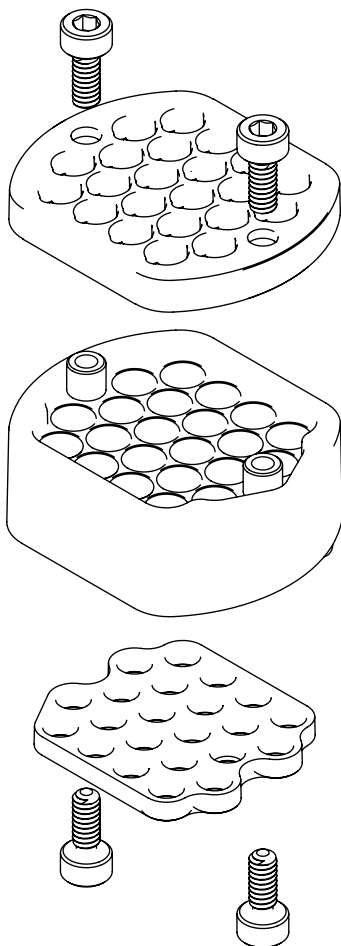
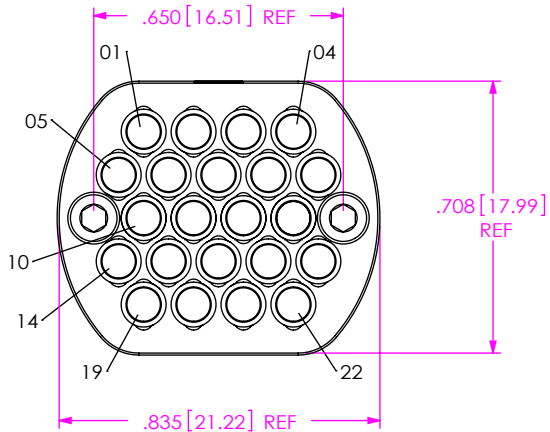


FIG 1
BAR-J-22 SHOWN

NOTES:

1. Ⓞ REPRESENTS A CRITICAL DIMENSION.
2. TIGHTEN CCS-151850-01-MP TO $16 \pm 10\%$ IN/OUNCES.
3. CAT-EX-SCC-01 SOLD SEPARATELY, AND AVAILABLE IF NEEDED; SEE SHEET 2 FOR APPLICATION VIEW.
4. ALL COMPONENTS TO BE PACKAGED IN BAG BG-CCH.

UNLESS OTHERWISE SPECIFIED, DIMENSIONS ARE IN INCHES. TOLERANCES ARE:
 DECIMALS ANGLES
 .XX: $\pm .01$ [.3] 2°
 .XXX: $\pm .005$ [.13]
 .XXXX: $\pm .0020$ [.051]

PROPRIETARY NOTE
 * THIS DOCUMENT CONTAINS CONFIDENTIAL AND PROPRIETARY INFORMATION AND ALL DESIGN, MANUFACTURING, REPRODUCTION, USE, PATENT RIGHTS AND SALES RIGHTS ARE EXPRESSLY RESERVED BY SAMTEC, INC. THIS DOCUMENT SHALL NOT BE DISCLOSED, IN WHOLE OR PART, TO ANY UNAUTHORIZED PERSON OR ENTITY NOR REPRODUCED, TRANSFERRED OR INCORPORATED IN ANY OTHER PROJECT IN ANY MANNER WITHOUT THE EXPRESS WRITTEN CONSENT OF SAMTEC, INC.



520 PARK EAST BLVD, NEW ALBANY, IN 47150
 PHONE: 812-944-6733 FAX: 812-948-5047
 e-Mail info@SAMTEC.com code 55322

MATERIAL: DO NOT SCALE DRAWING SHEET SCALE: 2:1
 CCS-151850-01-M: C360 BRASS
 BAR-CVR-022: ZINC
 BAR-022: LCP UL 94V-0, COLOR: BLACK
 BAR-GKT-022: CONDUCTIVE ELASTOMER

DESCRIPTION: 22 POSITION BULLSEYE HEADER

DWG. NO. BAR-J-22

BY: B RAY 01/08/2010 SHEET 1 OF 2

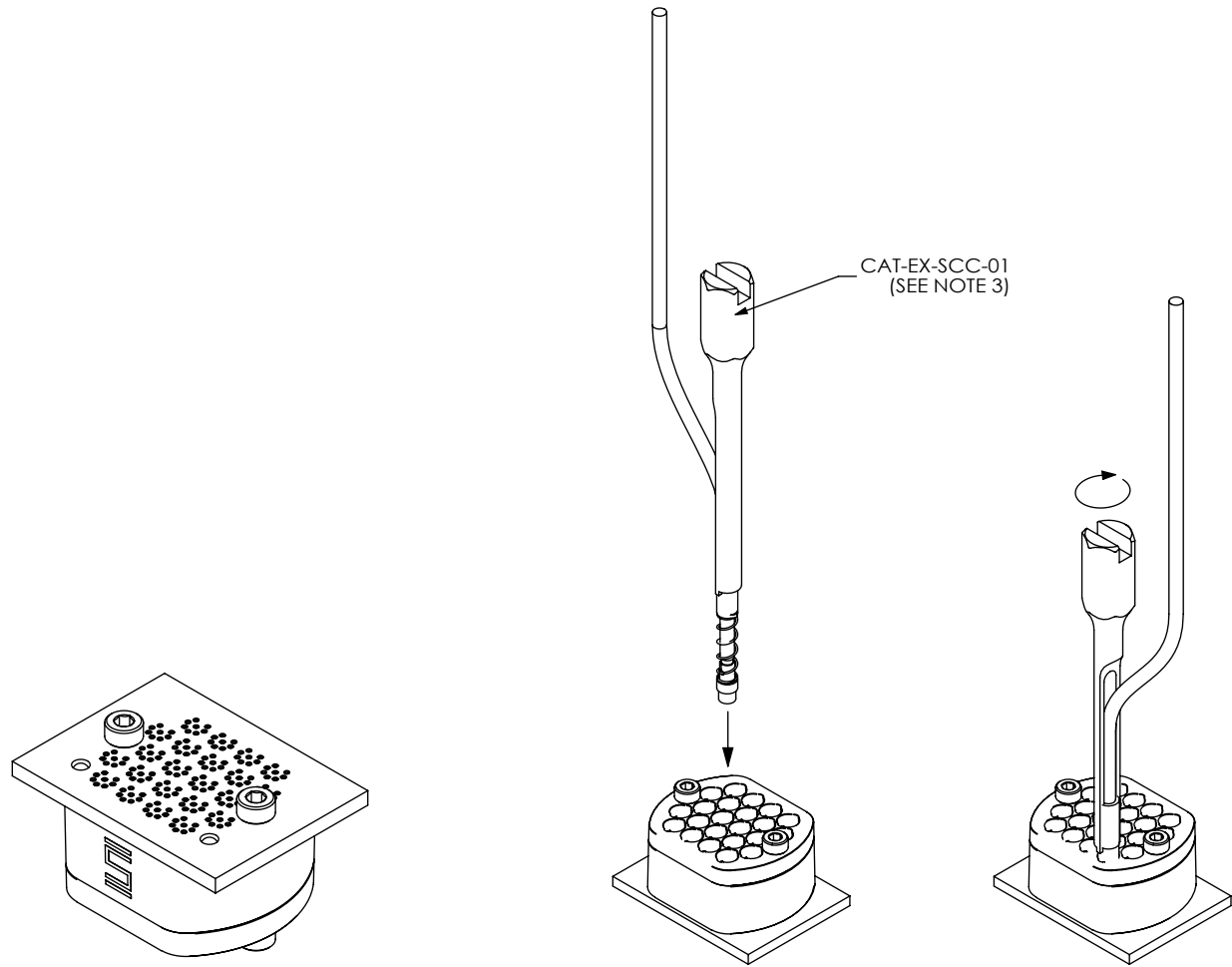


FIG 2
CAT-EX-SCC-01-APPLICATION VIEW

<p style="text-align: center;">* PROPRIETARY NOTE *</p> <p>THIS DOCUMENT CONTAINS CONFIDENTIAL AND PROPRIETARY INFORMATION AND ALL DESIGN, MANUFACTURING, REPRODUCTION, USE, PATENT RIGHTS AND SALES RIGHTS ARE EXPRESSLY RESERVED BY SAMTEC, INC. THIS DOCUMENT SHALL NOT BE DISCLOSED, IN WHOLE OR PART, TO ANY UNAUTHORIZED PERSON OR ENTITY NOR REPRODUCED, TRANSFERRED OR INCORPORATED IN ANY OTHER PROJECT IN ANY MANNER WITHOUT THE EXPRESS WRITTEN CONSENT OF SAMTEC, INC.</p>	<p style="text-align: center;">samtec</p> <p>520 PARK EAST BLVD, NEW ALBANY, IN 47150 PHONE: 812-944-6733 FAX: 812-948-5047 e-Mail info@SAMTEC.com code 55322</p>
<p>DO NOT SCALE DRAWING</p>	<p>DESCRIPTION: 22 POSITION BULLSEYE HEADER</p>
<p>SHEET SCALE: 1:0.666667</p>	<p>DWG. NO. BAR-J-22</p>
<p>F:\DWG\MISC\MKTG\BAR-J-22-MKT.SLDDRW</p>	<p>BY: B RAY 01/08/2010 SHEET 2 OF 2</p>