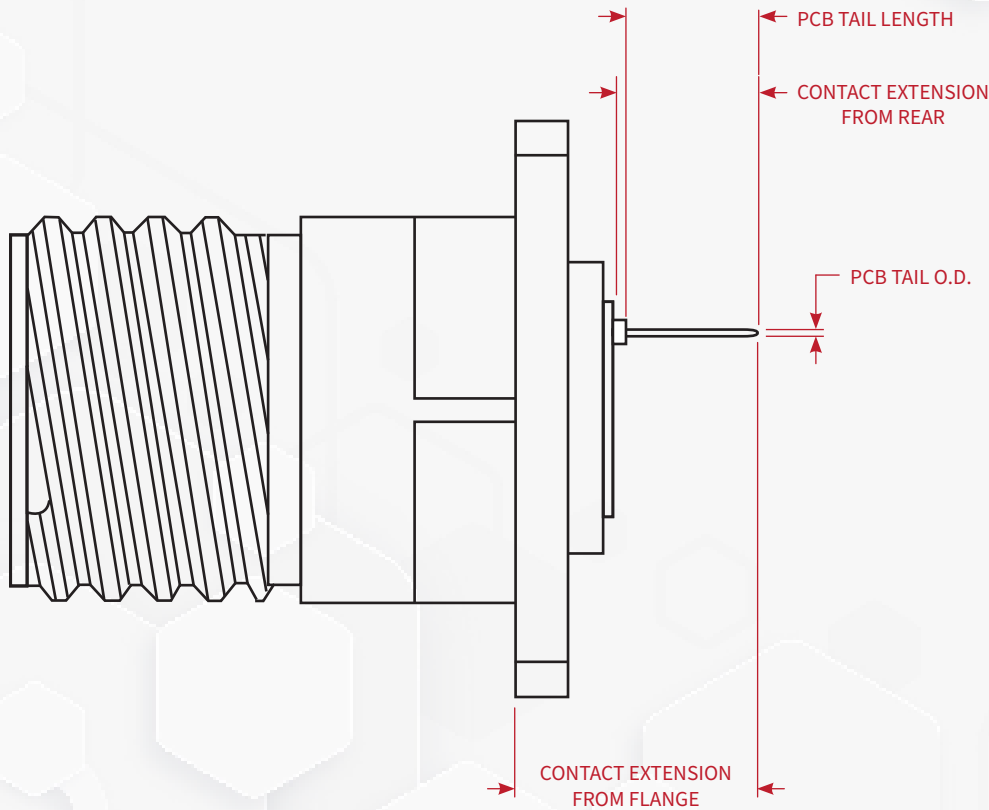


MIL-DTL-26482 Series II PCB TAIL CONTACTS



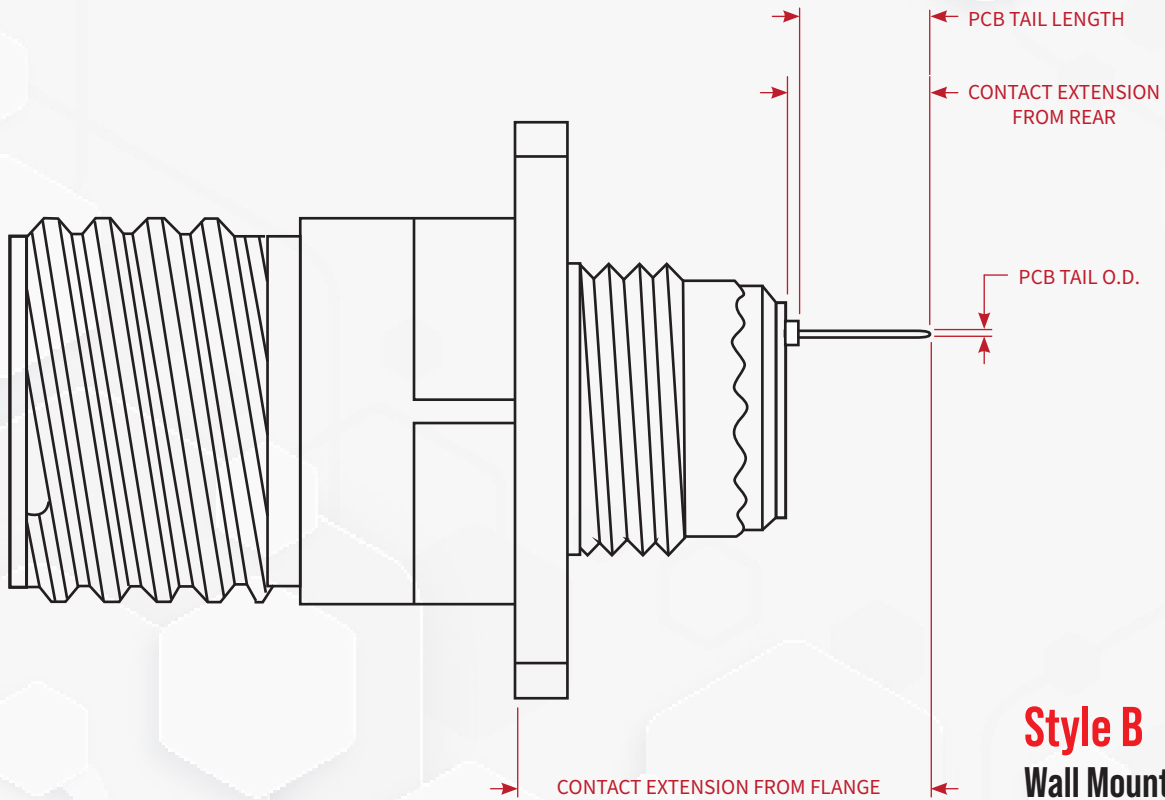
Style A
Box Mount Receptacle

Customizable PC Tail Pins For MIL-DTL-26482 Series II Style Connectors

SPECIFICATIONS:

- **SAE-AS39029:** Mating interface meets or exceeds the requirements and specifications of M39029/xx-xxx
- **Contact Material:** Suitable copper alloy
- **Mating Interface Finish:** Gold plate per IAW ASTM B488-01, Type II, Code C, Class 1.25 (.000050 Min) over nickel IAW AMS QQ-N-290, Class 1, .000050-.000100 thick
- **Extension Tolerances:** ± 0.02 (0.51 mm)
- **Note:** #22M and #22D contacts are interchangeable
- For all connector brands other than **Amphenol** please use the *Extension from FLANGE* measurements to determine stick out

MIL-DTL-26482 Series II PCB TAIL CONTACTS

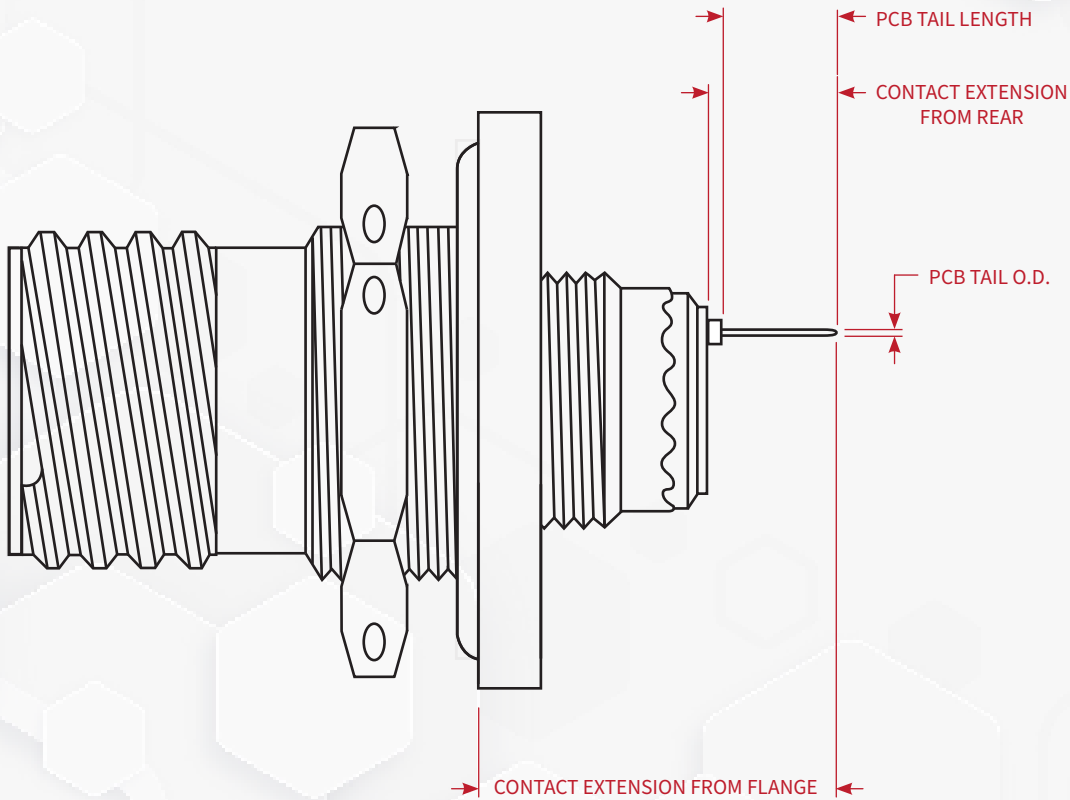


Customizable PC Tail Pins For MIL-DTL-26482 Series II Style Connectors

SPECIFICATIONS:

- **SAE-AS39029:** Mating interface meets or exceeds the requirements and specifications of M39029/xx-xxx
- **Contact Material:** Suitable copper alloy
- **Mating Interface Finish:** Gold plate per IAW ASTM B488-01, Type II, Code C, Class 1.25 (.000050 Min) over nickel IAW AMS QQ-N-290, Class 1, .000050-.000100 thick
- **Extension Tolerances:** ± 0.02 (0.51 mm)
- **Note:** #22M and #22D contacts are interchangeable
- For all connector brands other than **Amphenol** please use the *Extension from FLANGE* measurements to determine stick out

MIL-DTL-26482 Series II PCB TAIL CONTACTS



Style C
Jam Nut Receptacle

Customizable PC Tail Pins For MIL-DTL-26482 Series II Style Connectors

SPECIFICATIONS:

- **SAE-AS39029:** Mating interface meets or exceeds the requirements and specifications of M39029/xx-xxx
- **Contact Material:** Suitable copper alloy
- **Mating Interface Finish:** Gold plate per IAW ASTM B488-01, Type II, Code C, Class 1.25 (.000050 Min) over nickel IAW AMS QQ-N-290, Class 1, .000050-.000100 thick
- **Extension Tolerances:** ± 0.02 (0.51 mm)
- **Note:** #22M and #22D contacts are interchangeable
- For all connector brands other than **Amphenol** please use the *Extension from FLANGE* measurements to determine stick out

Milnec Part Number M30929 Derivative	PIN SIZE AND TYPE	PCB TAIL		CONTACT EXTENSION FROM AMPHENOL REAR ±.003	
		O.D.	Length	MS3470 / MS3474 Shell Size 8-18	MS3470 / MS3474 Shell Size 20-24
		±.001	±.001		
TX22-2000-110	20 Male Pin	0.027	0.25	0.231	0.233
TX22-2001-110	20 Male Pin	0.027	0.25	0.416	0.418
TX22-2002-110	20 Male Pin	0.03	0.28	0.205	0.207
TX22-2003-110	20 Male Pin	0.02	0.311	0.191	0.193
TX22-2004-110	20 Male Pin	0.02	0.311	0.191	0.193
TX22-2005-110	20 Male Pin	0.02	0.311	0.191	0.193
TX22-2006-110	20 Male Pin	0.03	0.175	0.391	0.393
TX22-2007-110	20 Male Pin	0.03	0.3	0.251	0.253
TX22-2008-110	20 Male Pin	0.04	0.289	0.155	0.157
TX22-2009-110	20 Male Pin	0.027	0.4	0.355	0.357
TX22-2013-110	20 Male Pin	0.03	0.22	0.514	0.516
TX22-2014-110	20 Male Pin	0.02	0.31	0.305	0.307
TX22-2015-110	20 Male Pin	0.024	0.685	0.486	0.488
TX22-2016-110	20 Male Pin	0.028	0.315	0.249	0.251
TX22-2017-110	20 Male Pin	0.04	0.292	0.229	0.231
TX22-2018-110	20 Male Pin	0.03	0.154	0.205	0.207
TX22-2019-110	20 Male Pin	0.03	0.399	0.274	0.276
TX22-2021-110	20 Male Pin	0.04	0.389	0.255	0.257
TX22-2023-110	20 Male Pin	0.04	0.339	0.205	0.207
TX22-2024-110	20 Male Pin	0.04	0.8	0.751	0.753
TX22-2025-110	20 Male Pin	0.04	0.239	0.105	0.107
TX22-2029-110	20 Male Pin	0.03	0.8	0.751	0.753
TX22-2030-110	20 Male Pin	0.025	0.115	0.105	0.107
TX22-2031-110	20 Male Pin	0.02	0.22	0.171	0.173
TX22-2032-110	20 Male Pin	0.019	0.189	0.078	0.08
TX22-2033-110	20 Male Pin	0.03	0.275	0.277	0.279
TX22-2034-110	20 Male Pin	0.025	0.374	0.354	0.356
TX22-2035-110	20 Male Pin	0.02	0.2	0.143	0.145
TX22-2036-110	20 Male Pin	0.02	0.374	0.354	0.356
TX22-2038-110	20 Male Pin	0.027	0.46	0.311	0.313
TX22-2039-110	20 Male Pin	0.03	0.25	0.201	0.203
TX22-2040-110	20 Male Pin	0.023	0.452	0.275	0.277
TX22-2041-110	20 Male Pin	0.04	0.45	0.449	0.451
TX22-2043-110	20 Male Pin	0.04	0.53	0.481	0.483
TX22-2050-110	20 Male Pin	0.019	0.247	0.223	0.225
TX22-2051-110	20 Male Pin	0.04	0.247	0.223	0.225
TX22-2058-110	20 Male Pin	0.04	0.376	0.24	0.242
TX22-2059-110	20 Male Pin	0.025	0.434	0.328	0.33
TX22-1601-111	16 Male Pin	0.04	0.375	0.28	0.282
TX22-1602-111	16 Male Pin	0.04	0.175	0.387	0.389
TX22-1603-111	16 Male Pin	0.057	0.52	0.281	0.283
TX22-1604-111	16 Male Pin	0.078	0.3	0.366	0.368
TX22-1605-111	16 Male Pin	0.062	0.118	0.088	0.09
TX22-1607-111	16 Male Pin	0.04	0.262	0.428	0.43
TX22-1608-111	16 Male Pin	0.035	0.55	0.49	0.492
TX22-1609-111	16 Male Pin	0.019	0.247	0.223	0.225
TX22-1610-111	16 Male Pin	0.025	0.735	0.171	0.173
TX22-1611-111	16 Male Pin	0.04	0.22	0.5	0.502
TX22-1612-111	16 Male Pin	0.045	0.355	0.415	0.417
TX22-1613-111	16 Male Pin	0.057	0.52	0.331	0.333
TX22-1200-113	12 Male Pin	0.082	0.4	0.37	0.372
TX22-1201-113	12 Male Pin	0.082	0.26	0.251	0.253
TX22-1202-113	12 Male Pin	0.094	0.354	0.333	0.335
TX22-1203-113	12 Male Pin	0.081	0.6	0.586	0.588

Milnec Part Number M30929 Derivative	PIN SIZE AND TYPE	PCB TAIL		CONTACT EXTENSION FROM AMPHENOL REAR ±.003	
		O.D.	Length	MS3470 / MS3474 Shell Size 8-18	MS3470 / MS3474 Shell Size 20-24
		±.001	±.001		
TX22-1204-113	12 Male Pin	0.094	0.713	0.391	0.393
TX22-1205-113	12 Male Pin	0.094	0.154	0.205	0.207
TX22-1206-113	12 Male Pin	0.094	0.3	0.251	0.253
TX22-1207-113	12 Male Pin	0.082	0.43	0.4	0.402
TX22-1211-113	12 Male Pin	0.094	0.326	0.302	0.304
TX44-1610-116	16 Female Socket	0.062	0.41	0.372	0.374
TX44-1611-116	16 Female Socket	0.04	0.22	0.471	0.473
TX44-1200-118	12 Female Socket	0.094	0.28	0.191	0.193
TX44-1201-118	12 Female Socket	0.081	0.6	0.392	0.394
TX44-1202-118	12 Female Socket	0.094	0.525	0.495	0.497
TX44-1203-118	12 Female Socket	0.094	0.154	0.175	0.177
TX44-1204-118	12 Female Socket	0.082	0.49	0.402	0.404
TX44-2001-115	20 Female Socket	0.03	0.212	0.277	0.279
TX55-2002-115	20 Female Socket	0.03	0.53	0.542	0.544
TX44-2002-115	20 Female Socket	0.03	0.53	0.542	0.544
TX44-2003-115	20 Female Socket	0.028	0.25	0.167	0.169
TX44-2004-115	20 Female Socket	0.03	0.28	0.141	0.143
TX44-2005-115	20 Female Socket	0.028	0.458	0.132	0.134
TX44-2006-115	20 Female Socket	0.03	0.175	0.381	0.383
TX44-2007-115	20 Female Socket	0.03	0.175	0.376	0.378
TX44-2008-115	20 Female Socket	0.03	0.175	0.476	0.478
TX44-2013-115	20 Female Socket	0.03	0.3	0.187	0.189
TX44-2015-115	20 Female Socket	0.028	0.28	0.382	0.384
TX55-2019-115	20 Female Socket	0.04	0.64	0.652	0.654
TX44-2021-115	20 Female Socket	0.03	0.41	0.357	0.359
TX44-2030-115	20 Female Socket	0.025	0.56	0.357	0.359
TX44-2031-115	20 Female Socket	0.03	0.3	0.247	0.249
TX44-2033-115	20 Female Socket	0.019	0.165	0.093	0.095
TX44-2034-115	20 Female Socket	0.03	0.22	0.495	0.497
TX44-2035-115	20 Female Socket	0.03	0.51	0.167	0.169
TX44-2036-115	20 Female Socket	0.04	0.31	0.08	0.082
TX44-2037-115	20 Female Socket	0.02	0.2	0.176	0.178
TX44-2038-115	20 Female Socket	0.02	0.3	0.247	0.249
TX44-2041-115	20 Female Socket	0.03	0.53	0.542	0.544
TX44-2042-115	20 Female Socket	0.025	0.312	0.11	0.112
TX44-2051-115	20 Female Socket	0.04	0.3	0.237	0.239
TX44-2052-115	20 Female Socket	0.04	0.4	0.412	0.414
TX44-2070-115	20 Female Socket	0.03	0.154	0.175	0.177
TX44-1602-116	16 Female Socket	0.04	0.375	0.216	0.218
TX44-1603-116	16 Female Socket	0.04	0.92	0.761	0.763
TX44-1604-116	16 Female Socket	0.04	1.038	0.879	0.881
TX44-1605-116	16 Female Socket	0.04	0.656	0.497	0.499
TX44-1606-116	16 Female Socket	0.04	0.288	0.411	0.413
TX44-1607-116	16 Female Socket	0.04	0.175	0.476	0.478
TX44-1608-116	16 Female Socket	0.04	0.175	0.361	0.363
TX44-1609-116	16 Female Socket	0.04	0.175	0.389	0.391