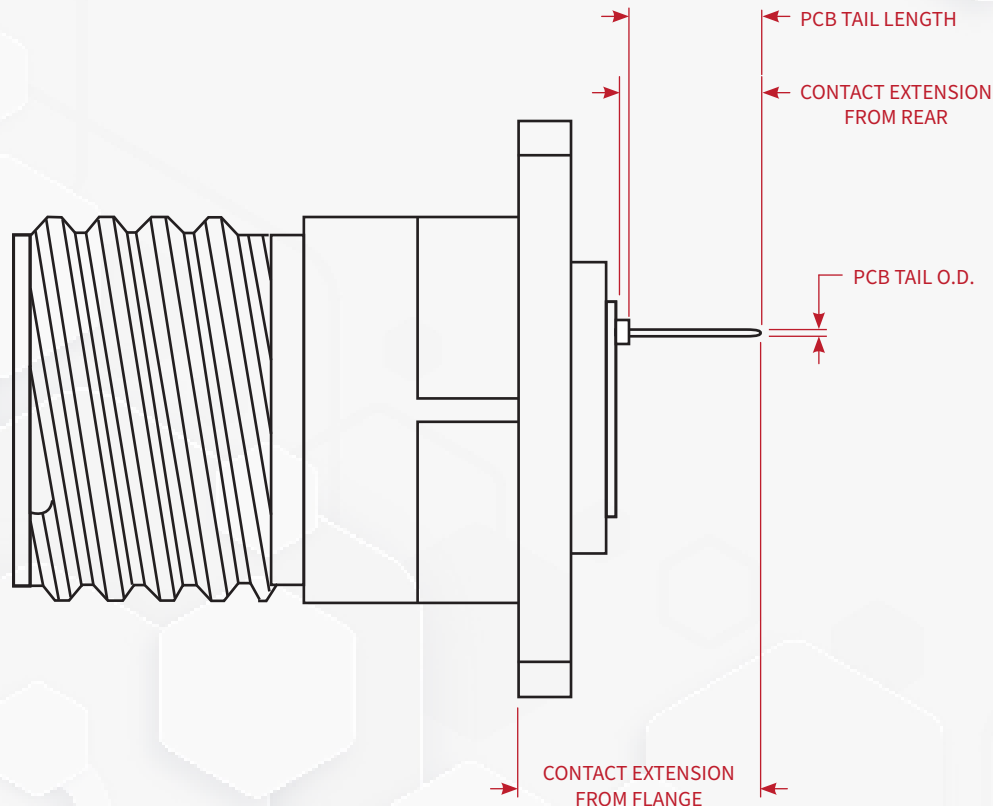


# D38999 Series II PCB TAIL SOCKETS

## with FLANGE Stick-Out



**Style A**  
**Box Mount Receptacle**

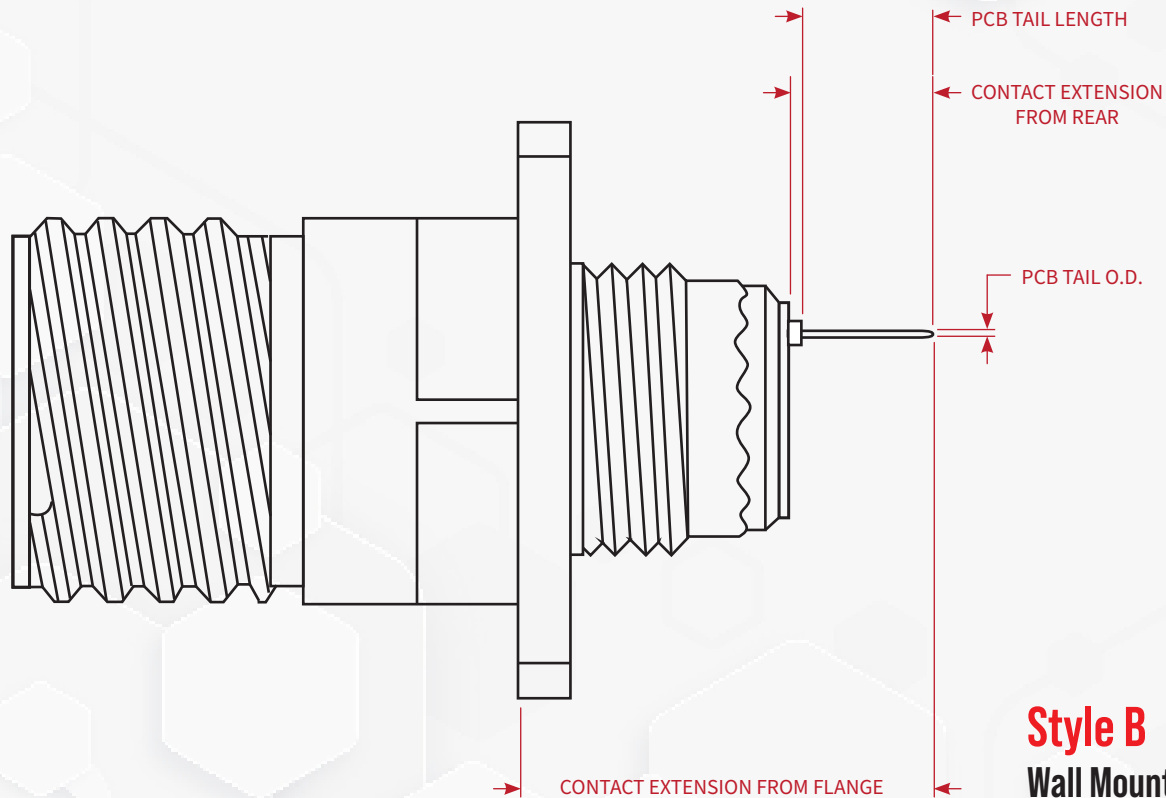
## Customizable PC Tail Pins For MIL-DTL-D38999 Series II Style Connectors

### SPECIFICATIONS:

- **SAE-AS39029:** Mating interface meets or exceeds the requirements and specifications of M39029/xx-xxx
- **Contact Material:** Suitable copper alloy
- **Mating Interface Finish:** Gold plate per IAW ASTM B488-01, Type II, Code C, Class 1.25 (.000050 Min) over nickel IAW AMS QQ-N-290, Class 1, .000050-.000100 thick
- **Extension Tolerances:**  $\pm 0.02$  (0.51 mm)
- **Note:** #22M and #22D contacts are interchangeable
- For all connector brands other than **Amphenol** please use the *Extension from FLANGE* measurements to determine stick out

# D38999 Series II PCB TAIL SOCKETS

## with FLANGE Stick-Out



**Style B**  
Wall Mount Receptacle

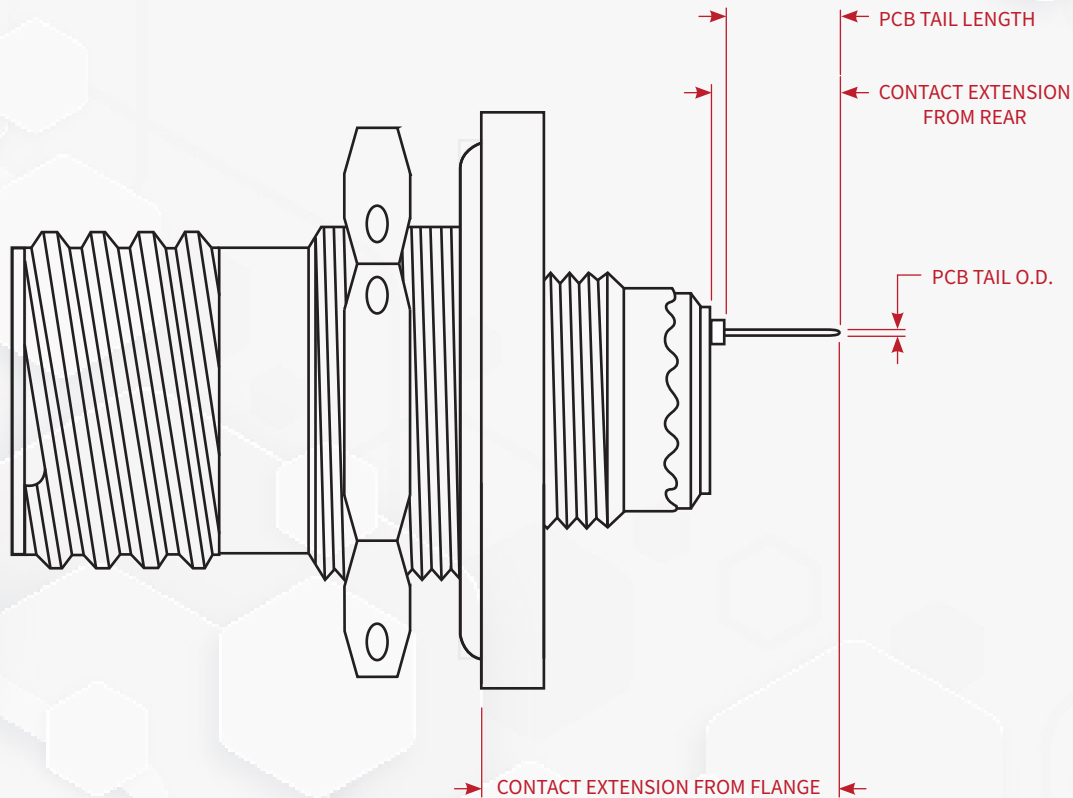
## Customizable PC Tail Pins For MIL-DTL-D38999 Series II Style Connectors

### SPECIFICATIONS:

- **SAE-AS39029**: Mating interface meets or exceeds the requirements and specifications of M39029/xx-xxx
- **Contact Material**: Suitable copper alloy
- **Mating Interface Finish**: Gold plate per IAW ASTM B488-01, Type II, Code C, Class 1.25 (.000050 Min) over nickel IAW AMS QQ-N-290, Class 1, .000050-.000100 thick
- **Extension Tolerances**:  $\pm 0.02$  (0.51 mm)
- **Note**: #22M and #22D contacts are interchangeable
- For all connector brands other than **Amphenol** please use the *Extension from FLANGE* measurements to determine stick out

# D38999 Series II PCB TAIL SOCKETS

## with FLANGE Stick-Out



**Style C**  
Jam Nut Receptacle

## Customizable PC Tail Pins For MIL-DTL-D38999 Series II Style Connectors

### SPECIFICATIONS:

- **SAE-AS39029:** Mating interface meets or exceeds the requirements and specifications of M39029/xx-xxx
- **Contact Material:** Suitable copper alloy
- **Mating Interface Finish:** Gold plate per IAW ASTM B488-01, Type II, Code C, Class 1.25 (.000050 Min) over nickel IAW AMS QQ-N-290, Class 1, .000050-.000100 thick
- **Extension Tolerances:**  $\pm 0.02$  (0.51 mm)
- **Note:** #22M and #22D contacts are interchangeable
- For all connector brands other than **Amphenol** please use the *Extension from FLANGE* measurements to determine stick out



















Milnec Part Number M30929 Derivative	Contact Size & Type	PCB Tail		CONTACT EXTENSION FROM AMPHENOL REAR ±.003					CONTACT EXTENSION FROM FLANGE ±.003				
		O.D.	Length	MS27472, MS27479	MS27664, MS27497	MS27499, MS27504, MS27513	MS27508	MS27474, MS27481	MS27472, MS27479	MS27664, MS27497	MS27499, MS27504, MS27513	MS27508	MS27474, MS27481
		±.001	±.001										
TXR35PCT-2225-355	22M Socket	0.019	0.217	0.07	0.07	0.267	0.267	0.07	0.61	0.487	0.607	0.482	0.464
TXR35PCT-2226-355	22M Socket	0.019	0.236	0.089	0.089	0.286	0.286	0.089	0.629	0.506	0.626	0.501	0.483
TXR15PCT-2227-355	22M Socket	0.019	0.236	NONE	NONE	0.124	0.124	NONE	NONE	NONE	0.464	0.339	NONE
TXR15PCT-2228-355	22M Socket	0.019	0.336	NONE	NONE	0.224	0.224	NONE	NONE	NONE	0.564	0.439	NONE
TXR15PCT-2229-355	22M Socket	0.019	0.586	0.277	0.277	0.474	0.474	0.277	0.817	0.694	0.814	0.689	0.671
TXR9PCT-2231-355	22M Socket	0.02	0.212	0.135	0.135	0.332	0.332	0.135	0.675	0.552	0.672	0.547	0.529
TXR9PCT-2232-355	22M Socket	0.02	0.212	0.299	0.299	0.496	0.496	0.299	0.839	0.716	0.836	0.711	0.693
TXR9PCT-2233-355	22M Socket	0.02	0.212	0.443	0.443	0.64	0.64	0.443	0.983	0.86	0.98	0.855	0.837
TXR9PCT-2240-355	22M Socket	0.021	0.393	NONE	NONE	0.224	0.224	NONE	NONE	NONE	0.564	0.439	NONE
TXR15PCT-2241-355	22M Socket	0.019	0.488	0.328	0.328	0.525	0.525	0.328	0.868	0.745	0.865	0.74	0.722
TXR15PCT-2242-355	22M Socket	0.021	0.393	NONE	NONE	0.224	0.224	NONE	NONE	NONE	0.564	0.439	NONE
TXR35PCT-2253-355	22M Socket	0.019	0.394	0.17	0.17	0.367	0.367	0.17	0.71	0.587	0.707	0.582	0.564
TXR35PCT-2255-355	22M Socket	0.019	0.25	NONE	NONE	0.2	0.2	NONE	NONE	NONE	0.54	0.415	NONE
TXR35PCT-2260-355	22M Socket	0.019	0.569	0.517	0.517	0.714	0.714	0.517	1.057	0.934	1.054	0.929	0.911
TXR35PCT-2261-355	22M Socket	0.019	0.509	0.251	0.251	0.448	0.448	0.251	0.791	0.668	0.788	0.663	0.645
TXR35PCT-2262-355	22M Socket	0.019	0.266	0.111	0.111	0.308	0.308	0.111	0.651	0.528	0.648	0.523	0.505
TXR35PCT-2263-355	22M Socket	0.019	0.24	NONE	NONE	0.179	0.179	NONE	NONE	NONE	0.519	0.394	NONE
TXR35PCT-2264-355	22M Socket	0.019	0.152	NONE	NONE	0.166	0.166	NONE	NONE	NONE	0.506	0.381	NONE
TXR35PCT-2265-355	22M Socket	0.019	0.157	NONE	NONE	0.051	0.051	NONE	NONE	NONE	0.391	0.266	NONE
TXR35PCT-2266-355	22M Socket	0.019	0.769	0.607	0.607	0.804	0.804	0.607	1.147	1.024	1.144	1.019	1.001
TXR35PCT-2267-355	22M Socket	0.019	0.172	NONE	NONE	0.21	0.21	NONE	NONE	NONE	0.55	0.425	NONE
TXR35PCT-2268-355	22M Socket	0.019	0.216	0.156	0.156	0.353	0.353	0.156	0.696	0.573	0.693	0.568	0.55
TXR35PCT-2269-355	22M Socket	0.019	0.378	0.227	0.227	0.424	0.424	0.227	0.767	0.644	0.764	0.639	0.621
TXR15PCT-2276-355	22M Socket	0.026	0.336	NONE	NONE	0.224	0.224	NONE	NONE	NONE	0.564	0.439	NONE
TXR9PCT-2276-355	22M Socket	0.026	0.336	NONE	NONE	0.224	0.224	NONE	NONE	NONE	0.564	0.439	NONE
TXR35PCT-2276-355	22M Socket	0.026	0.336	NONE	NONE	0.224	0.224	NONE	NONE	NONE	0.564	0.439	NONE
TXR15PCT-2277-355	22M Socket	0.019	0.236	NONE	NONE	0.124	0.124	NONE	NONE	NONE	0.464	0.339	NONE
TXR9PCT-2277-355	22M Socket	0.019	0.236	NONE	NONE	0.124	0.124	NONE	NONE	NONE	0.464	0.339	NONE
TXR35PCT-2277-355	22M Socket	0.019	0.236	NONE	NONE	0.124	0.124	NONE	NONE	NONE	0.464	0.339	NONE
TXR15PCT-2278-355	22M Socket	0.019	0.336	NONE	NONE	0.224	0.224	NONE	NONE	NONE	0.564	0.439	NONE
TXR9PCT-2278-355	22M Socket	0.019	0.336	NONE	NONE	0.224	0.224	NONE	NONE	NONE	0.564	0.439	NONE
TXR35PCT-2278-355	22M Socket	0.019	0.336	NONE	NONE	0.224	0.224	NONE	NONE	NONE	0.564	0.439	NONE
TXR15PCT-2279-355	22M Socket	0.019	0.586	0.277	0.277	0.474	0.474	0.277	0.817	0.694	0.814	0.689	0.671
TXR9PCT-2279-355	22M Socket	0.019	0.586	0.277	0.277	0.474	0.474	0.277	0.817	0.694	0.814	0.689	0.671
TXR35PCT-2279-355	22M Socket	0.019	0.586	0.277	0.277	0.474	0.474	0.277	0.817	0.694	0.814	0.689	0.671
TXR35PCT-2280-355	22M Socket	0.019	0.509	0.262	0.262	0.459	0.459	0.262	0.802	0.679	0.799	0.674	0.656
TXR35PCT-2281-355	22M Socket	0.019	0.24	NONE	NONE	0.19	0.19	NONE	NONE	NONE	0.53	0.405	NONE
TXR35PCT-2282-355	22M Socket	0.019	0.152	NONE	NONE	0.177	0.177	NONE	NONE	NONE	0.517	0.392	NONE
TXR35PCT-2283-355	22M Socket	0.019	0.157	NONE	NONE	0.067	0.067	NONE	NONE	NONE	0.407	0.282	NONE
TXR35PCT-2284-355	22M Socket	0.019	0.769	0.618	0.618	0.815	0.815	0.618	1.158	1.035	1.155	1.03	1.012
TXR35PCT-2285-355	22M Socket	0.019	0.179	NONE	NONE	0.224	0.224	NONE	NONE	NONE	0.564	0.439	NONE
TXR35PCT-2286-355	22M Socket	0.019	0.216	0.149	0.149	0.346	0.346	0.149	0.689	0.566	0.686	0.561	0.543
TXR35PCT-2287-355	22M Socket	0.019	0.378	0.227	0.227	0.424	0.424	0.227	0.767	0.644	0.764	0.639	0.621
TXR35PCT-2288-355	22M Socket	0.019	0.25	NONE	NONE	0.2	0.2	NONE	NONE	NONE	0.54	0.415	NONE
TXR35PCT-2000-357	20 Socket	0.025	0.118	0.168	0.168	0.365	0.365	0.168	0.708	0.585	0.705	0.58	0.562
TXR35PCT-2001-357	20 Socket	0.025	0.138	0.188	0.188	0.385	0.385	0.188	0.728	0.605	0.725	0.6	0.582
TXR35PCT-2002-357	20 Socket	0.025	0.157	0.207	0.207	0.404	0.404	0.207	0.747	0.624	0.744	0.619	0.601
TXR35PCT-2003-357	20 Socket	0.025	0.177	0.227	0.227	0.424	0.424	0.227	0.767	0.644	0.764	0.639	0.621
TXR35PCT-2004-357	20 Socket	0.025	0.197	0.247	0.247	0.444	0.444	0.247	0.787	0.664	0.784	0.659	0.641
TXR35PCT-2005-357	20 Socket	0.025	0.217	0.267	0.267	0.464	0.464	0.267	0.807	0.684	0.804	0.679	0.661
TXR35PCT-2006-357	20 Socket	0.025	0.236	0.286	0.286	0.483	0.483	0.286	0.826	0.703	0.823	0.698	0.68
TXR35PCT-2007-357	20 Socket	0.025	0.118	NONE	NONE	0.168	0.168	NONE	NONE	NONE	0.508	0.383	NONE
TXR35PCT-2008-357	20 Socket	0.025	0.138	NONE	NONE	0.188	0.188	NONE	NONE	NONE	0.528	0.403	NONE
TXR35PCT-2009-357	20 Socket	0.025	0.157	NONE	NONE	0.207	0.207	NONE	NONE	NONE	0.547	0.422	NONE

Milnec Part Number M30929 Derivative	Contact Size & Type	PCB Tail		CONTACT EXTENSION FROM AMPHENOL REAR ±.003					CONTACT EXTENSION FROM FLANGE ±.003				
		O.D.	Length	MS27472, MS27479	MS27664, MS27497	MS27499, MS27504, MS27513	MS27508	MS27474, MS27481	MS27472, MS27479	MS27664, MS27497	MS27499, MS27504, MS27513	MS27508	MS27474, MS27481
		±.001	±.001										
TXR35PCT-2010-357	20 Socket	0.025	0.177	0.03	0.03	0.227	0.227	0.03	0.57	0.447	0.567	0.442	0.424
TXR35PCT-2011-357	20 Socket	0.025	0.197	0.05	0.05	0.247	0.247	0.05	0.59	0.467	0.587	0.462	0.444
TXR35PCT-2013-357	20 Socket	0.025	0.217	0.07	0.07	0.267	0.267	0.07	0.61	0.487	0.607	0.482	0.464
TXR35PCT-2014-357	20 Socket	0.025	0.236	0.089	0.089	0.286	0.286	0.089	0.629	0.506	0.626	0.501	0.483
TXR35PCT-2015-357	20 Socket	0.02	0.217	0.267	0.267	0.464	0.464	0.267	0.807	0.684	0.804	0.679	0.661
TXR35PCT-2016-357	20 Socket	0.032	0.331	0.354	0.354	0.551	0.551	0.354	0.894	0.771	0.891	0.766	0.748
TXR35PCT-2017-357	20 Socket	0.019	0.235	0.231	0.231	0.428	0.428	0.231	0.771	0.648	0.768	0.643	0.625
TXR35PCT-1600-358	16 Socket	0.062	0.547	0.339	0.339	0.536	0.536	0.339	0.879	0.756	0.876	0.751	0.733
TXR35PCT-1601-358	16 Socket	0.057	0.118	0.364	0.364	0.561	0.561	0.364	0.904	0.781	0.901	0.776	0.758
TXR35PCT-1602-358	16 Socket	0.062	0.118	0.168	0.168	0.365	0.365	0.168	0.708	0.585	0.705	0.58	0.562
TXR35PCT-1603-358	16 Socket	0.062	0.138	0.188	0.188	0.385	0.385	0.188	0.728	0.605	0.725	0.6	0.582
TXR35PCT-1604-358	16 Socket	0.062	0.157	0.207	0.207	0.404	0.404	0.207	0.747	0.624	0.744	0.619	0.601
TXR35PCT-1605-358	16 Socket	0.062	0.177	0.227	0.227	0.424	0.424	0.227	0.767	0.644	0.764	0.639	0.621
TXR35PCT-1606-358	16 Socket	0.062	0.197	0.247	0.247	0.444	0.444	0.247	0.787	0.664	0.784	0.659	0.641
TXR35PCT-1607-358	16 Socket	0.062	0.217	0.267	0.267	0.464	0.464	0.267	0.807	0.684	0.804	0.679	0.661
TXR35PCT-1608-358	16 Socket	0.062	0.236	0.286	0.286	0.483	0.483	0.286	0.826	0.703	0.823	0.698	0.68
TXR35PCT-1609-358	16 Socket	0.062	0.118	NONE	NONE	0.168	0.168	NONE	NONE	NONE	0.508	0.383	NONE
TXR35PCT-1610-358	16 Socket	0.062	0.138	NONE	NONE	0.188	0.188	NONE	NONE	NONE	0.528	0.403	NONE
TXR35PCT-1611-358	16 Socket	0.062	0.157	NONE	NONE	0.207	0.207	NONE	NONE	NONE	0.547	0.422	NONE
TXR35PCT-1613-358	16 Socket	0.062	0.177	0.03	0.03	0.227	0.227	0.03	0.57	0.447	0.567	0.442	0.424
TXR35PCT-1614-358	16 Socket	0.062	0.197	0.05	0.05	0.247	0.247	0.05	0.59	0.467	0.587	0.462	0.444
TXR35PCT-1615-358	16 Socket	0.062	0.217	0.07	0.07	0.267	0.267	0.07	0.61	0.487	0.607	0.482	0.464
TXR35PCT-1617-358	16 Socket	0.062	0.236	0.089	0.089	0.286	0.286	0.089	0.629	0.506	0.626	0.501	0.483
TXR35PCT-1200-359	12 Socket	0.082	0.118	0.168	0.168	0.365	0.365	0.168	0.708	0.585	0.705	0.58	0.562
TXR35PCT-1201-359	12 Socket	0.082	0.138	0.188	0.188	0.385	0.385	0.188	0.728	0.605	0.725	0.6	0.582
TXR35PCT-1202-359	12 Socket	0.082	0.157	0.207	0.207	0.404	0.404	0.207	0.747	0.624	0.744	0.619	0.601
TXR35PCT-1203-359	12 Socket	0.082	0.177	0.227	0.227	0.424	0.424	0.227	0.767	0.644	0.764	0.639	0.621
TXR35PCT-1204-359	12 Socket	0.082	0.197	0.247	0.247	0.444	0.444	0.247	0.787	0.664	0.784	0.659	0.641
TXR35PCT-1205-359	12 Socket	0.082	0.217	0.267	0.267	0.464	0.464	0.267	0.807	0.684	0.804	0.679	0.661
TXR35PCT-1206-359	12 Socket	0.082	0.236	0.286	0.286	0.483	0.483	0.286	0.826	0.703	0.823	0.698	0.68
TXR35PCT-1207-359	12 Socket	0.082	0.118	NONE	NONE	0.168	0.168	NONE	NONE	NONE	0.508	0.383	NONE
TXR35PCT-1208-359	12 Socket	0.082	0.138	NONE	NONE	0.188	0.188	NONE	NONE	NONE	0.528	0.403	NONE
TXR35PCT-1209-359	12 Socket	0.082	0.157	NONE	NONE	0.207	0.207	NONE	NONE	NONE	0.547	0.422	NONE
TXR35PCT-1210-359	12 Socket	0.082	0.177	0.03	0.03	0.227	0.227	0.03	0.57	0.447	0.567	0.442	0.424
TXR35PCT-1211-359	12 Socket	0.082	0.197	0.05	0.05	0.247	0.247	0.05	0.59	0.467	0.587	0.462	0.444
TXR35PCT-1213-359	12 Socket	0.082	0.217	0.07	0.07	0.267	0.267	0.07	0.61	0.487	0.607	0.482	0.464
TXR35PCT-1214-359	12 Socket	0.082	0.236	0.089	0.089	0.286	0.286	0.089	0.629	0.506	0.626	0.501	0.483