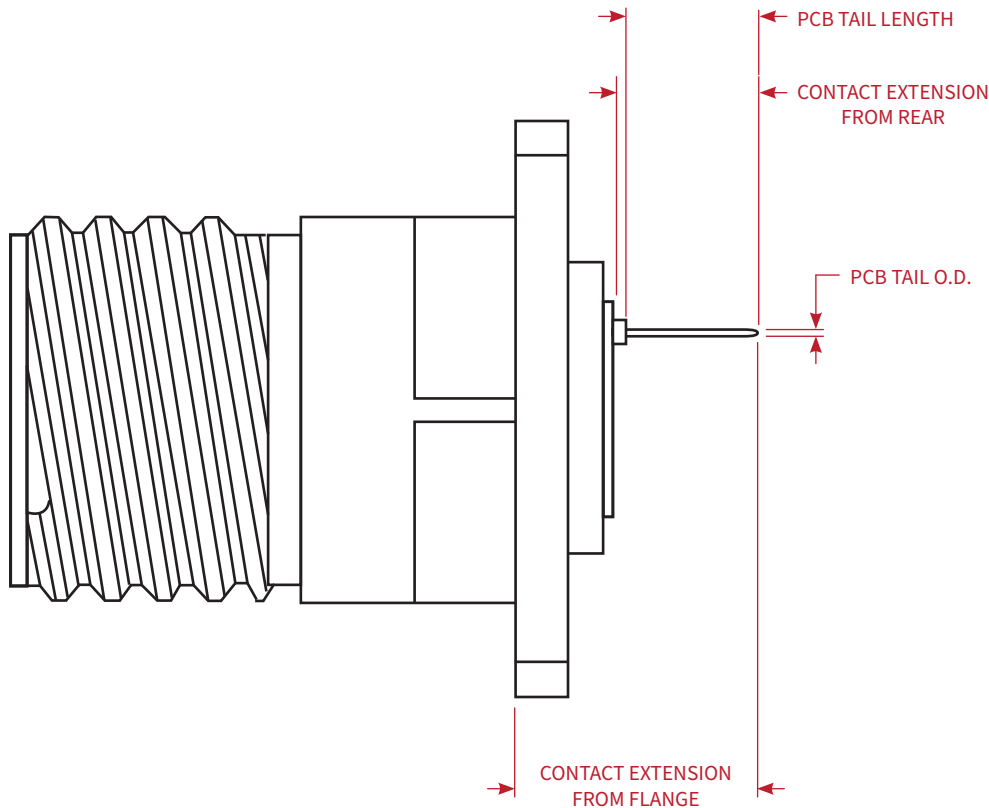


D38999 Series I PCB TAIL PINS

with FLANGE Stick-Out



Style A
Box Mount Receptacle

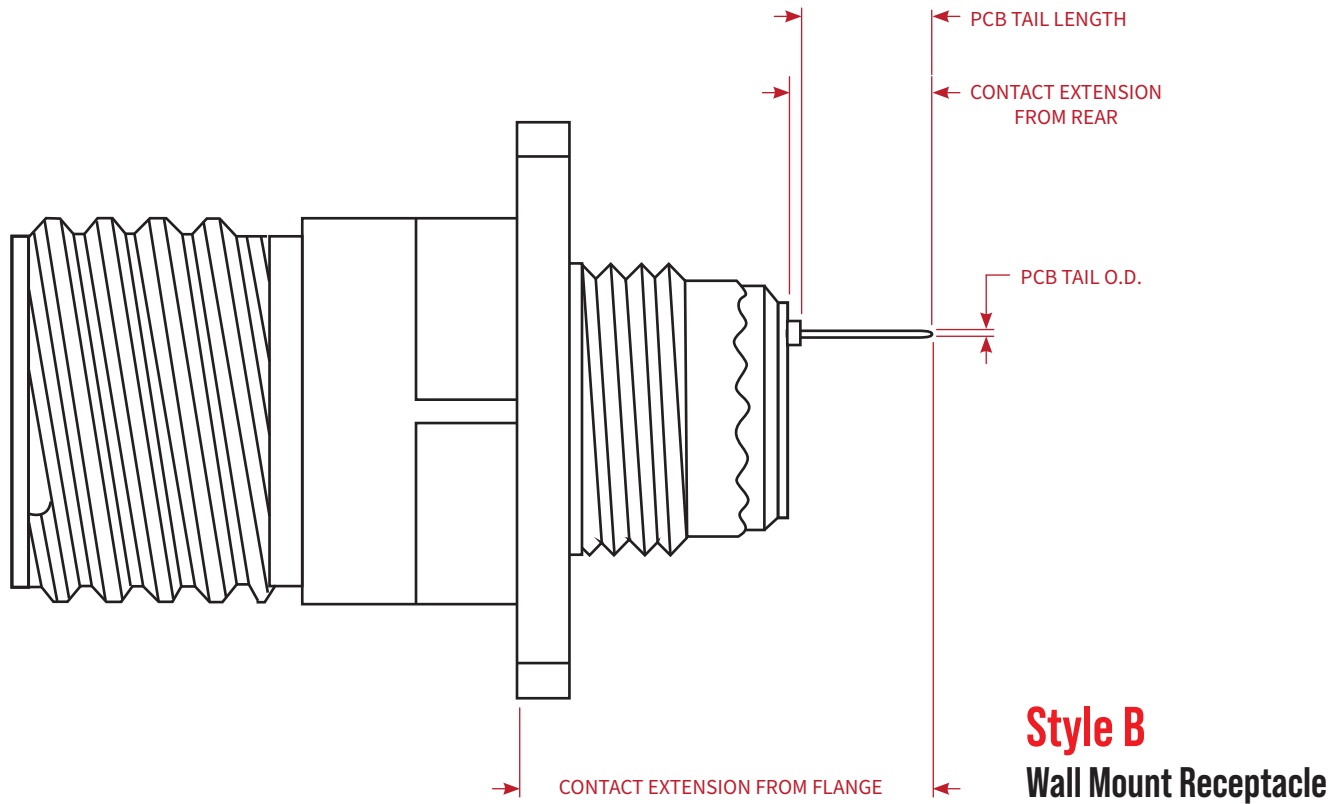
Customizable PC Tail Pins For MIL-DTL-D38999 Series I Style Connectors

SPECIFICATIONS:

- **SAE-AS39029**: Mating interface meets or exceeds the requirements and specifications of M39029/xx-xxx
- **Contact Material**: Suitable copper alloy
- **Mating Interface Finish**: Gold plate per IAW ASTM B488-01, Type II, Code C, Class 1.25 (.000050 Min) over nickel IAW AMS QQ-N-290, Class 1, .000050-.000100 thick
- **Extension Tolerances**: ± 0.02 (0.51 mm)
- **Note**: #22M and #22D contacts are interchangeable
- For all connector brands other than **Amphenol** please use the *Extension from FLANGE* measurements to determine stick out

D38999 Series I PCB TAIL PINS

with FLANGE Stick-Out



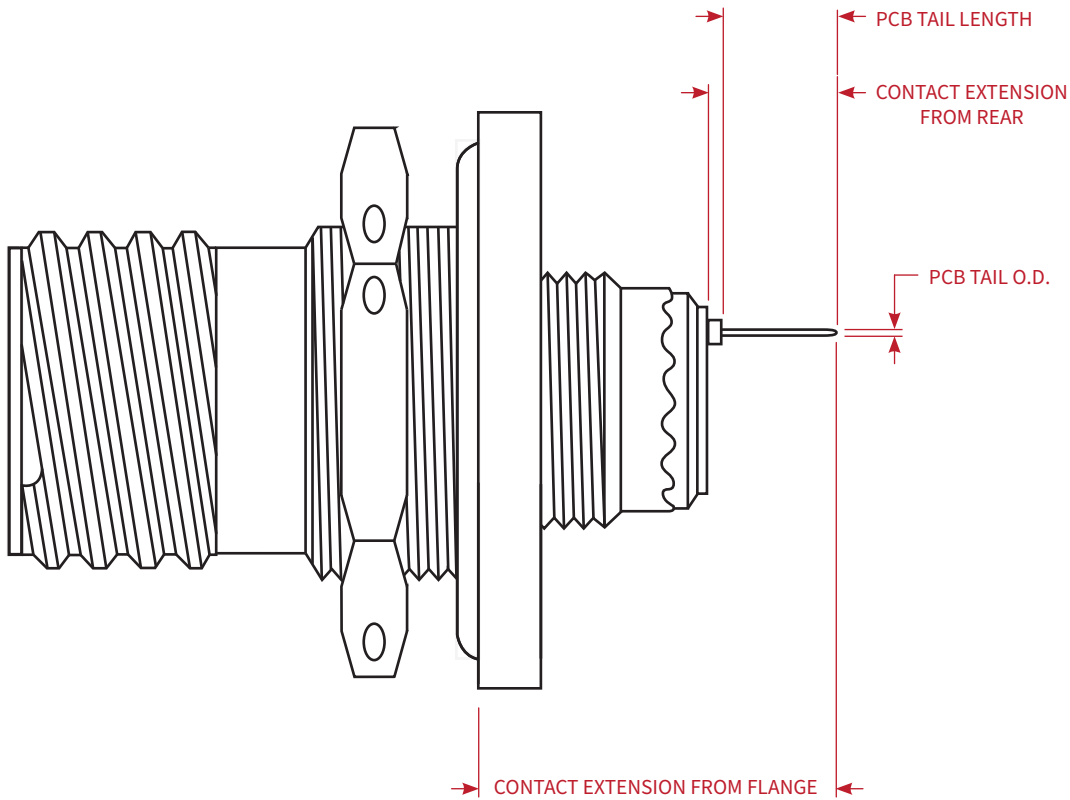
Customizable PC Tail Pins For MIL-DTL-D38999 Series I Style Connectors

SPECIFICATIONS:

- **SAE-AS39029:** Mating interface meets or exceeds the requirements and specifications of M39029/xx-xxx
- **Contact Material:** Suitable copper alloy
- **Mating Interface Finish:** Gold plate per IAW ASTM B488-01, Type II, Code C, Class 1.25 (.000050 Min) over nickel IAW AMS QQ-N-290, Class 1, .000050-.000100 thick
- **Extension Tolerances:** ± 0.02 (0.51 mm)
- **Note:** #22M and #22D contacts are interchangeable
- For all connector brands other than **Amphenol** please use the *Extension from FLANGE* measurements to determine stick out

D38999 Series I PCB TAIL PINS

with FLANGE Stick-Out



Style C
Jam Nut Receptacle

Customizable PC Tail Pins For MIL-DTL-D38999 Series I Style Connectors

SPECIFICATIONS:

- **SAE-AS39029**: Mating interface meets or exceeds the requirements and specifications of M39029/xx-xxx
- **Contact Material**: Suitable copper alloy
- **Mating Interface Finish**: Gold plate per IAW ASTM B488-01, Type II, Code C, Class 1.25 (.000050 Min) over nickel IAW AMS QQ-N-290, Class 1, .000050-.000100 thick
- **Extension Tolerances**: ± 0.02 (0.51 mm)
- **Note**: #22M and #22D contacts are interchangeable
- For all connector brands other than **Amphenol** please use the **Extension from FLANGE** measurements to determine stick out

Milnec Part Number M30929 Derivative	Contact Size & Type	PCB Tail		CONTACT EXTENSION FROM AMPHENOL REAR ±.003						CONTACT EXTENSION FROM FLANGE ±.003					
		O.D.	Length	MS27466 & MS27652	MS27515, MS27654, MS27656	MS27596	MS27505	MS27568 Shells 9-17	MS27468 Shells 19-25	MS27466 & MS27652	MS27515, MS27654, MS27656	MS27596	MS27505	MS27568 Shells 9-17	MS27468 Shells 19-25
		±.001	±.001												
TX2PCT-2200-360	22D Pin	0.019	0.205	NONE	NONE	0.202	0.201	NONE	NONE	NONE	NONE	0.576	0.381	NONE	NONE
TX2PCT-2201-360	22D Pin	0.02	0.42	0.352	0.345	0.544	0.543	0.337	0.321	0.917	0.739	0.918	0.723	0.639	0.638
TX3PCT-2202-360	22D Pin	0.015	0.24	0.07	0.063	0.262	0.261	0.055	0.039	0.635	0.457	0.636	0.441	0.357	0.356
TX3PCT-2203-360	22D Pin	0.015	0.34	0.17	0.163	0.362	0.361	0.155	0.139	0.735	0.557	0.736	0.541	0.457	0.456
TX3PCT-2204-360	22D Pin	0.015	0.44	0.27	0.263	0.462	0.461	0.255	0.239	0.835	0.657	0.836	0.641	0.557	0.556
TX2PCT-2205-360	22D Pin	0.019	0.54	0.37	0.363	0.562	0.561	0.355	0.339	0.935	0.757	0.936	0.741	0.657	0.656
TX3PCT-2205-360	22D Pin	0.019	0.54	0.37	0.363	0.562	0.561	0.355	0.339	0.935	0.757	0.936	0.741	0.657	0.656
TX2PCT-2206-360	22D Pin	0.02	0.538	0.537	0.53	0.729	0.728	0.522	0.506	1.102	0.924	1.103	0.908	0.824	0.823
TX2PCT-2207-360	22D Pin	0.019	0.232	0.232	0.225	0.424	0.423	0.217	0.201	0.797	0.619	0.798	0.603	0.519	0.518
TX2PCT-2208-360	22D Pin	0.025	0.245	0.378	0.371	0.57	0.569	0.363	0.347	0.943	0.765	1.057	0.749	0.665	0.664
TX2PCT-2209-360	22D Pin	0.02	0.25	NONE	NONE	0.195	0.194	NONE	NONE	NONE	NONE	0.682	0.374	NONE	NONE
TX2PCT-2210-360	22D Pin	0.02	0.437	0.281	0.274	0.473	0.472	0.266	0.25	0.846	0.668	0.96	0.652	0.568	0.567
TX2PCT-2211-360	22D Pin	0.019	0.266	0.198	0.191	0.39	0.389	0.183	0.167	0.763	0.585	0.877	0.569	0.485	0.484
TX2PCT-2212-360	22D Pin	0.02	0.355	0.16	0.153	0.352	0.351	0.145	0.129	0.725	0.547	0.839	0.531	0.447	0.446
TX2PCT-2213-360	22D Pin	0.021	0.345	0.343	0.336	0.536	0.535	0.327	0.314	0.908	0.73	1.023	0.715	0.629	0.631
TX2PCT-2214-360	22D Pin	0.019	0.145	0.146	0.139	0.338	0.337	0.131	0.115	0.711	0.533	0.825	0.517	0.433	0.432
TX2PCT-2215-360	22D Pin	0.021	0.283	0.283	0.276	0.475	0.474	0.268	0.252	0.848	0.67	0.962	0.654	0.57	0.569
TX2PCT-2216-360	22D Pin	0.02	0.122	NONE	NONE	0.149	0.148	NONE	NONE	NONE	NONE	0.636	0.328	NONE	NONE
TX2PCT-2217-360	22D Pin	0.019	0.177	0.466	0.459	0.658	0.657	0.451	0.435	1.031	0.853	1.145	0.837	0.753	0.752
TX2PCT-2218-360	22D Pin	0.019	0.336	0.365	0.358	0.577	0.556	0.35	0.334	0.93	0.752	0.951	0.736	0.652	0.651
TX2PCT-2220-360	22D Pin	0.019	0.276	0.287	0.28	0.479	0.478	0.272	0.256	0.852	0.674	0.853	0.658	0.574	0.573
TX2PCT-2221-360	22D Pin	0.02	0.283	1.052	1.045	1.244	1.243	1.037	1.021	1.617	1.439	1.618	1.423	1.339	1.338
TX2PCT-2223-360	22D Pin	0.025	0.365	0.473	0.466	0.665	0.664	0.458	0.442	1.038	0.86	1.039	0.844	0.76	0.759
TX2PCT-2225-360	22D Pin	0.019	0.492	0.426	0.419	0.618	0.617	0.411	0.395	0.991	0.813	0.992	0.797	0.713	0.712
TX2PCT-2226-360	22D Pin	0.024	0.114	NONE	NONE	0.13	0.129	NONE	NONE	NONE	NONE	0.504	0.309	NONE	NONE
TX2PCT-2227-360	22D Pin	0.027	0.227	0.474	0.467	0.666	0.665	0.459	0.443	1.039	0.861	1.04	0.845	0.761	0.76
TX2PCT-2228-360	22D Pin	0.025	0.396	0.043	0.036	0.235	0.234	0.028	0.012	0.608	0.43	0.609	0.414	0.33	0.329
TX2PCT-2229-360	22D Pin	0.03	0.3	0.366	0.359	0.558	0.557	0.351	0.335	0.931	0.753	0.932	0.737	0.653	0.652
TX2PCT-2230-360	22D Pin	0.02	0.22	0.056	0.049	0.248	0.247	0.041	0.025	0.621	0.443	0.622	0.427	0.343	0.342
TX2PCT-2231-360	22D Pin	0.02	0.407	0.253	0.246	0.445	0.444	0.238	0.222	0.818	0.64	0.819	0.624	0.54	0.539
TX2PCT-2232-360	22D Pin	0.02	0.45	0.236	0.229	0.428	0.427	0.221	0.205	0.801	0.623	0.802	0.607	0.523	0.522
TX2PCT-2233-360	22D Pin	0.02	0.44	0.224	0.217	0.416	0.415	0.209	0.193	0.789	0.611	0.79	0.595	0.511	0.51
TX2PCT-2234-360	22D Pin	0.02	0.277	0.123	0.116	0.315	0.314	0.108	0.092	0.688	0.51	0.689	0.494	0.41	0.409
TX2PCT-2235-360	22D Pin	0.019	0.211	NONE	NONE	0.207	0.206	NONE	NONE	NONE	NONE	0.581	0.386	NONE	NONE
TX2PCT-2236-360	22D Pin	0.019	0.18	0.181	0.174	0.373	0.372	0.166	0.15	0.746	0.568	0.747	0.552	0.468	0.467
TX2PCT-2237-360	22D Pin	0.03	0.763	0.611	0.604	0.803	0.802	0.596	0.58	1.176	0.998	1.177	0.982	0.898	0.897
TX2PCT-2238-360	22D Pin	0.03	0.893	0.741	0.734	0.933	0.932	0.726	0.71	1.306	1.128	1.307	1.112	1.028	1.027
TX2PCT-2239-360	22D Pin	0.02	0.169	0.209	0.202	0.401	0.4	0.194	0.178	0.774	0.596	0.775	0.58	0.496	0.495
TX2PCT-2240-360	22D Pin	0.019	0.131	NONE	NONE	0.123	0.122	NONE	NONE	NONE	NONE	0.497	0.302	NONE	NONE
TX2PCT-2241-360	22D Pin	0.029	0.157	0.24	0.233	0.432	0.431	0.225	0.209	0.805	0.627	0.806	0.611	0.527	0.526
TX2PCT-2243-360	22D Pin	0.019	0.157	0.215	0.208	0.407	0.406	0.2	0.184	0.78	0.602	0.781	0.586	0.502	0.501
TX2PCT-2244-360	22D Pin	0.02	0.18	0.18	0.173	0.372	0.371	0.165	0.149	0.745	0.567	0.746	0.551	0.467	0.466
TX2PCT-2245-360	22D Pin	0.02	0.121	0.185	0.178	0.377	0.376	0.17	0.154	0.75	0.572	0.751	0.556	0.472	0.471
TX2PCT-2246-360	22D Pin	0.019	0.094	0.094	0.087	0.286	0.285	0.079	0.063	0.659	0.481	0.66	0.465	0.381	0.38
TX2PCT-2247-360	22D Pin	0.025	0.329	0.408	0.401	0.6	0.599	0.393	0.377	0.973	0.795	0.974	0.779	0.695	0.694
TX2PCT-2248-360	22D Pin	0.032	0.4	0.419	0.412	0.611	0.61	0.404	0.388	0.984	0.806	0.985	0.79	0.706	0.705
TX2PCT-2249-360	22D Pin	0.022	0.17	0.267	0.26	0.459	0.458	0.252	0.236	0.832	0.654	0.833	0.638	0.554	0.553
TX3PCT-2250-360	22D Pin	0.019	0.544	0.481	0.474	0.673	0.672	0.466	0.45	1.046	0.868	1.047	0.852	0.768	0.767
TX2PCT-2251-360	22D Pin	0.019	0.236	0.419	0.412	0.611	0.61	0.404	0.388	0.984	0.806	0.985	0.79	0.706	0.705
TX2PCT-2252-360	22D Pin	0.019	0.205	0.747	0.74	0.939	0.938	0.732	0.716	1.312	1.134	1.313	1.118	1.034	1.033
TX3PCT-2253-360	22D Pin	0.019	0.5	0.615	0.608	0.807	0.806	0.6	0.584	1.18	1.002	1.181	0.986	0.902	0.901
TX2PCT-2254-360	22D Pin	0.025	0.145	0.281	0.274	0.473	0.472	0.266	0.25	0.846	0.668	0.847	0.652	0.568	0.567
TX3PCT-2255-360	22D Pin	0.025	0.445	0.583	0.576	0.775	0.774	0.568	0.552	1.148	0.97	1.149	0.954	0.87	0.869
TX2PCT-2256-360	22D Pin	0.025	0.345	0.483	0.476	0.675	0.674	0.468	0.452	1.048	0.87	1.049	0.854	0.77	0.769

Milnec Part Number M30929 Derivative	Contact Size & Type	PCB Tail		CONTACT EXTENSION FROM AMPHENOL REAR ±.003						CONTACT EXTENSION FROM FLANGE ±.003					
		O.D.	Length	MS27466 & MS27652	MS27515, MS27654, MS27656	MS27596	MS27505	MS27568 Shells 9-17	MS27468 Shells 19-25	MS27466 & MS27652	MS27515, MS27654, MS27656	MS27596	MS27505	MS27568 Shells 9-17	MS27468 Shells 19-25
		±.001	±.001												
TX2PCT-2257-360	22D Pin	0.029	0.118	0.364	0.357	0.556	0.555	0.349	0.333	0.929	0.751	0.93	0.735	0.651	0.65
TX3PCT-2258-360	22D Pin	0.025	0.545	0.679	0.672	0.871	0.87	0.664	0.648	1.244	1.066	1.245	1.05	0.966	0.965
TX3PCT-2259-360	22D Pin	0.031	0.762	0.611	0.604	0.803	0.802	0.596	0.58	1.176	0.998	1.177	0.982	0.898	0.897
TX3PCT-2260-360	22D Pin	0.025	0.515	0.279	0.272	0.471	0.47	0.264	0.248	0.844	0.666	0.845	0.65	0.566	0.565
TX2PCT-2261-360	22D Pin	0.03	0.148	0.338	0.331	0.53	0.529	0.323	0.307	0.903	0.725	0.904	0.709	0.625	0.624
TX2PCT-2262-360	22D Pin	0.025	0.137	0.308	0.301	0.5	0.499	0.293	0.277	0.873	0.695	0.874	0.679	0.595	0.594
TX2PCT-2263-360	22D Pin	0.019	0.251	0.571	0.564	0.763	0.762	0.556	0.54	1.136	0.958	1.137	0.942	0.858	0.857
TX2PCT-2264-360	22D Pin	0.019	0.267	0.115	0.108	0.307	0.306	0.1	0.084	0.68	0.502	0.681	0.486	0.402	0.401
TX2PCT-2265-360	22D Pin	0.019	0.41	0.419	0.412	0.611	0.61	0.404	0.388	0.984	0.806	0.985	0.79	0.706	0.705
TX2PCT-2266-360	22D Pin	0.019	0.345	0.195	0.188	0.387	0.386	0.18	0.164	0.76	0.582	0.761	0.566	0.482	0.481
TX2PCT-2267-360	22D Pin	0.019	0.43	0.28	0.273	0.472	0.471	0.265	0.249	0.845	0.667	0.846	0.651	0.567	0.566
TX2PCT-2268-360	22D Pin	0.019	0.152	NONE	NONE	0.172	0.171	NONE	NONE	NONE	NONE	0.546	0.351	NONE	NONE
TX2PCT-2269-360	22D Pin	0.019	0.157	NONE	NONE	0.062	0.061	NONE	NONE	NONE	NONE	0.436	0.241	NONE	NONE
TX2PCT-2270-360	22D Pin	0.019	0.165	0.337	0.33	0.529	0.528	0.322	0.306	0.902	0.724	0.903	0.708	0.624	0.623
TX2PCT-2271-360	22D Pin	0.025	0.63	0.766	0.759	0.958	0.957	0.751	0.735	1.331	1.153	1.332	1.137	1.053	1.052
TX3PCT-2272-360	22D Pin	0.019	0.769	0.618	0.611	0.81	0.809	0.603	0.587	1.183	1.005	1.184	0.989	0.905	0.904
TX3PCT-2273-360	22D Pin	0.019	0.509	0.262	0.255	0.454	0.453	0.247	0.231	0.827	0.649	0.828	0.633	0.549	0.548
TX2PCT-2274-360	22D Pin	0.019	0.13	NONE	NONE	0.235	0.234	NONE	NONE	NONE	NONE	0.609	0.414	NONE	NONE
TX2PCT-2275-360	22D Pin	0.019	0.2	0.268	0.261	0.46	0.459	0.253	0.237	0.833	0.655	0.834	0.639	0.555	0.554
TX2PCT-2276-360	22D Pin	0.019	0.36	0.373	0.366	0.565	0.564	0.358	0.342	0.938	0.76	0.939	0.744	0.66	0.659
TX2PCT-2278-360	22D Pin	0.019	0.24	0.259	0.252	0.451	0.45	0.244	0.228	0.824	0.646	0.825	0.63	0.546	0.545
TX2PCT-2279-360	22D Pin	0.026	0.182	0.163	0.156	0.355	0.354	0.148	0.132	0.728	0.55	0.729	0.534	0.45	0.449
TX3PCT-2280-360	22D Pin	0.019	0.578	0.511	0.504	0.703	0.702	0.496	0.48	1.076	0.898	1.077	0.882	0.798	0.797
TX3PCT-2281-360	22D Pin	0.019	0.522	0.455	0.448	0.647	0.646	0.44	0.424	1.02	0.842	1.021	0.826	0.742	0.741
TX2PCT-2282-360	22D Pin	0.019	0.24	0.235	0.228	0.427	0.426	0.22	0.204	0.8	0.622	0.801	0.606	0.522	0.521
TX2PCT-2283-360	22D Pin	0.019	0.407	0.252	0.245	0.444	0.443	0.237	0.221	0.817	0.639	0.818	0.623	0.539	0.538
TX2PCT-2284-360	22D Pin	0.019	0.205	NONE	NONE	0.232	0.231	NONE	NONE	NONE	NONE	0.606	0.411	NONE	NONE
TX2PCT-2285-360	22D Pin	0.019	0.205	0.89	0.883	1.082	1.081	0.875	0.859	1.455	1.277	1.456	1.261	1.177	1.176
TX2PCT-2286-360	22D Pin	0.019	0.324	1.247	1.24	1.439	1.438	1.232	1.216	1.812	1.634	1.813	1.618	1.534	1.533
TX2PCT-2287-360	22D Pin	0.019	0.411	0.256	0.249	0.448	0.447	0.241	0.225	0.821	0.643	0.822	0.627	0.543	0.542
TX2PCT-2288-360	22D Pin	0.019	0.24	0.235	0.228	0.427	0.426	0.22	0.204	0.8	0.622	0.801	0.606	0.522	0.521
TX3PCT-2289-360	22D Pin	0.019	0.513	0.993	0.986	1.185	1.184	0.978	0.962	1.558	1.38	1.559	1.364	1.28	1.279
TX2PCT-2290-360	22D Pin	0.019	0.14	NONE	NONE	0.137	0.136	NONE	NONE	NONE	NONE	0.511	0.316	NONE	NONE
TX2PCT-2291-360	22D Pin	0.019	0.2	0.075	0.068	0.267	0.266	0.06	0.044	0.64	0.462	0.641	0.446	0.362	0.361
TX2PCT-2292-360	22D Pin	0.019	0.22	NONE	NONE	0.102	0.101	NONE	NONE	NONE	NONE	0.476	0.281	NONE	NONE
TX2PCT-2293-360	22D Pin	0.019	0.643	0.29	0.283	0.482	0.481	0.275	0.259	0.855	0.677	0.856	0.661	0.577	0.576
TX2PCT-2294-360	22D Pin	0.019	0.292	0.225	0.218	0.417	0.416	0.21	0.194	0.79	0.612	0.791	0.596	0.512	0.511
TX2PCT-2295-360	22D Pin	0.019	0.254	0.219	0.212	0.411	0.41	0.204	0.188	0.784	0.606	0.785	0.59	0.506	0.505
TX2PCT-2296-360	22D Pin	0.019	0.086	0.163	0.156	0.355	0.354	0.148	0.132	0.728	0.55	0.729	0.534	0.45	0.449
TX2PCT-2297-360	22D Pin	0.019	0.35	0.192	0.185	0.384	0.383	0.177	0.161	0.757	0.579	0.758	0.563	0.479	0.478
TX2PCT-2298-360	22D Pin	0.019	0.467	0.4	0.393	0.592	0.591	0.385	0.369	0.965	0.787	0.966	0.771	0.687	0.686
TX2PCT-2299-360	22D Pin	0.019	0.29	0.06	0.053	0.252	0.251	0.045	NONE	0.625	0.447	0.626	0.431	0.347	NONE
TX2PCT-2253B-360	22D Pin	0.03	0.25	0.262	0.255	0.454	0.453	0.247	0.231	0.827	0.649	0.828	0.633	0.549	0.548
TX2PCT-2254B-360	22D Pin	0.031	0.197	0.207	0.2	0.399	0.398	0.192	0.176	0.772	0.594	0.773	0.578	0.494	0.493
TX2PCT-2255B-360	22D Pin	0.019	0.17	0.325	0.318	0.517	0.516	0.31	0.294	0.89	0.712	0.891	0.696	0.612	0.611
TX2PCT-2256B-360	22D Pin	0.019	0.256	0.401	0.394	0.593	0.592	0.386	0.37	0.966	0.788	0.967	0.772	0.688	0.687
TX2PCT-2257B-360	22D Pin	0.019	0.31	0.305	0.298	0.497	0.496	0.39	0.274	0.87	0.692	0.871	0.676	0.692	0.591
TX2PCT-2258B-360	22D Pin	0.019	0.148	0.083	0.076	0.275	0.274	0.068	0.052	0.648	0.47	0.649	0.454	0.37	0.369
TX2PCT-2259B-360	22D Pin	0.019	0.45	0.186	0.179	0.378	0.377	0.171	0.155	0.751	0.573	0.752	0.557	0.473	0.472
TX2PCT-2260B-360	22D Pin	0.019	0.47	0.315	0.308	0.507	0.506	0.3	0.284	0.88	0.702	0.881	0.686	0.602	0.601
TX2PCT-2261B-360	22D Pin	0.019	0.285	0.305	0.298	0.497	0.496	0.29	0.274	0.87	0.692	0.871	0.676	0.592	0.591
TX2PCT-2262B-360	22D Pin	0.019	0.285	0.299	0.292	0.491	0.49	0.284	0.268	0.864	0.686	0.865	0.67	0.586	0.585
TX2PCT-2263B-360	22D Pin	0.019	0.265	0.198	0.191	0.39	0.389	0.183	0.167	0.763	0.585	0.764	0.569	0.485	0.484
TX2PCT-2264B-360	22D Pin	0.019	0.118	0.186	0.179	0.378	0.377	0.171	0.155	0.751	0.573	0.752	0.557	0.473	0.472

Milnec Part Number M30929 Derivative	Contact Size & Type	PCB Tail		CONTACT EXTENSION FROM AMPHENOL REAR ±.003						CONTACT EXTENSION FROM FLANGE ±.003					
		O.D.	Length	MS27466 & MS27652	MS27515, MS27654, MS27656	MS27596	MS27505	MS27568 Shells 9-17	MS27468 Shells 19-25	MS27466 & MS27652	MS27515, MS27654, MS27656	MS27596	MS27505	MS27568 Shells 9-17	MS27468 Shells 19-25
		±.001	±.001												
TX3PCT-2265B-360	22D Pin	0.019	0.492	0.426	0.419	0.618	0.617	0.411	0.395	0.991	0.813	0.992	0.797	0.713	0.712
TX3PCT-2266B-360	22D Pin	0.019	0.573	0.507	0.5	0.699	0.698	0.492	0.476	1.072	0.894	1.073	0.878	0.794	0.793
TX3PCT-2267B-360	22D Pin	0.019	0.443	0.377	0.37	0.569	0.568	0.362	0.346	0.942	0.764	0.943	0.748	0.664	0.663
TX2PCT-2268B-360	22D Pin	0.019	0.355	0.867	0.86	1.059	1.058	0.852	0.836	1.432	1.254	1.433	1.238	1.154	1.153
TX2PCT-2269B-360	22D Pin	0.019	0.315	0.16	0.153	0.352	0.351	0.145	0.129	0.725	0.547	0.726	0.531	0.447	0.446
TX2PCT-2270B-360	22D Pin	0.019	0.1	0.168	0.161	0.36	0.359	0.153	0.137	0.733	0.555	0.734	0.539	0.455	0.454
TX2PCT-2271B-360	22D Pin	0.019	0.285	0.285	0.278	0.477	0.476	0.27	0.254	0.85	0.672	0.851	0.656	0.572	0.571
TX2PCT-2272B-360	22D Pin	0.019	0.598	0.465	0.458	0.657	0.656	0.45	0.434	1.03	0.852	1.031	0.836	0.752	0.751
TX2PCT-2273B-360	22D Pin	0.019	0.125	NONE	NONE	0.072	0.071	NONE	NONE	NONE	NONE	0.446	0.251	NONE	NONE
TX2PCT-2274B-360	22D Pin	0.019	0.446	0.295	0.288	0.487	0.486	0.28	0.264	0.86	0.682	0.861	0.666	0.582	0.581
TX2PCT-2275B-360	22D Pin	0.019	0.465	0.31	0.303	0.502	0.501	0.295	0.279	0.875	0.697	0.876	0.681	0.597	0.596
TX2PCT-2276B-360	22D Pin	0.019	0.438	0.555	0.548	0.747	0.746	0.54	0.524	1.12	0.942	1.121	0.926	0.842	0.841
TX2PCT-2277B-360	22D Pin	0.019	0.745	1.218	1.211	1.41	1.409	1.203	1.187	1.783	1.605	1.784	1.589	1.505	1.504
TX2PCT-2278B-360	22D Pin	0.019	0.426	0.271	0.264	0.463	0.462	0.256	0.24	0.836	0.658	0.837	0.642	0.558	0.557
TX2PCT-2279B-360	22D Pin	0.019	0.391	0.324	0.317	0.516	0.515	0.309	0.293	0.889	0.711	0.89	0.695	0.611	0.61
TX2PCT-2281B-360	22D Pin	0.019	0.208	0.211	0.204	0.403	0.402	0.196	0.18	0.776	0.598	0.777	0.582	0.498	0.497
TX2PCT-2282B-360	22D Pin	0.019	0.157	0.482	0.475	0.674	0.673	0.467	0.451	1.047	0.869	1.048	0.853	0.769	0.768
TX2PCT-2283B-360	22D Pin	0.019	0.187	0.12	0.113	0.312	0.311	0.105	0.089	0.685	0.507	0.686	0.491	0.407	0.406
TX2PCT-2284B-360	22D Pin	0.019	0.316	0.126	0.119	0.318	0.317	0.111	0.095	0.691	0.513	0.692	0.497	0.413	0.412
TX2PCT-2285B-360	22D Pin	0.019	0.194	0.376	0.369	0.568	0.567	0.361	0.345	0.941	0.763	0.942	0.747	0.663	0.662
TX2PCT-2286B-360	22D Pin	0.019	0.192	0.405	0.398	0.597	0.596	0.39	0.374	0.97	0.792	0.971	0.776	0.692	0.691
TX2PCT-2287B-360	22D Pin	0.019	0.42	0.353	0.346	0.545	0.544	0.338	0.322	0.918	0.74	0.919	0.724	0.64	0.639
TX2PCT-2288B-360	22D Pin	0.019	0.122	NONE	NONE	0.149	0.148	NONE	NONE	NONE	NONE	0.523	0.328	NONE	NONE
TX2PCT-2289B-360	22D Pin	0.019	0.25	0.57	0.563	0.762	0.761	0.555	0.539	1.135	0.957	1.136	0.941	0.857	0.856
TX2PCT-2290B-360	22D Pin	0.019	0.223	0.058	0.051	0.25	0.249	0.043	NONE	0.623	0.445	0.624	0.429	0.345	NONE
TX2PCT-2291B-360	22D Pin	0.019	0.294	NONE	NONE	0.132	0.131	NONE	NONE	NONE	NONE	0.506	0.311	NONE	NONE
TX2PCT-2292B-360	22D Pin	0.019	0.394	NONE	NONE	0.232	0.231	NONE	NONE	NONE	NONE	0.606	0.411	NONE	NONE
TX2PCT-2293B-360	22D Pin	0.019	0.1	0.17	0.163	0.362	0.361	0.155	0.139	0.735	0.557	0.736	0.541	0.457	0.456
TX2PCT-2294B-360	22D Pin	0.019	0.43	0.36	0.353	0.552	0.551	0.345	0.329	0.925	0.747	0.926	0.731	0.647	0.646
TX2PCT-2295B-360	22D Pin	0.019	0.227	0.227	0.22	0.419	0.418	0.212	0.196	0.792	0.614	0.793	0.598	0.514	0.513
TX2PCT-2296B-360	22D Pin	0.019	0.295	NONE	NONE	0.197	0.196	NONE	NONE	NONE	NONE	0.571	0.376	NONE	NONE
TX2PCT-2297B-360	22D Pin	0.019	0.512	0.445	0.438	0.637	0.636	0.43	0.414	1.01	0.832	1.011	0.816	0.732	0.731
TX2PCT-2298B-360	22D Pin	0.019	0.284	0.214	0.207	0.406	0.405	0.199	0.183	0.779	0.601	0.78	0.585	0.501	0.5
TX2PCT-2299B-360	22D Pin	0.019	0.342	0.343	0.336	0.535	0.534	0.328	0.312	0.908	0.73	0.909	0.714	0.63	0.629
TX2PCT-2200-361	22M Pin	0.02	0.45	0.225	0.218	0.417	0.416	0.21	0.194	0.79	0.612	0.791	0.596	0.512	0.511
TX2PCT-2201-361	22M Pin	0.022	0.187	0.322	0.315	0.514	0.513	0.307	0.291	0.887	0.709	0.888	0.693	0.609	0.608
TX3PCT-2202-361	22M Pin	0.019	0.57	0.528	0.521	0.72	0.719	0.513	0.497	1.093	0.915	1.094	0.899	0.815	0.814
TX2PCT-2202-361	22M Pin	0.019	0.57	0.528	0.521	0.72	0.719	0.513	0.497	1.093	0.915	1.094	0.899	0.815	0.814
TX6PCT-2203-361	22M Pin	0.019	0.378	0.234	0.227	0.426	0.425	0.219	0.203	0.799	0.621	0.8	0.605	0.521	0.52
TX3PCT-2203-361	22M Pin	0.019	0.378	0.234	0.227	0.426	0.425	0.219	0.203	0.799	0.621	0.8	0.605	0.521	0.52
TX2PCT-2203-361	22M Pin	0.019	0.378	0.234	0.227	0.426	0.425	0.219	0.203	0.799	0.621	0.8	0.605	0.521	0.52
TX2PCT-2204-361	22M Pin	0.019	0.305	0.927	0.92	1.119	1.118	0.912	0.896	1.492	1.314	1.493	1.298	1.214	1.213
TX2PCT-2205-361	22M Pin	0.019	0.305	0.065	0.058	0.257	0.256	0.05	0.034	0.63	0.452	0.631	0.436	0.352	0.351
TX6PCT-2206-361	22M Pin	0.019	0.489	0.346	0.339	0.538	0.537	0.331	0.315	0.911	0.733	0.912	0.717	0.633	0.632
TX3PCT-2206-361	22M Pin	0.019	0.489	0.346	0.339	0.538	0.537	0.331	0.315	0.911	0.733	0.912	0.717	0.633	0.632
TX2PCT-2206-361	22M Pin	0.019	0.489	0.346	0.339	0.538	0.537	0.331	0.315	0.911	0.733	0.912	0.717	0.633	0.632
TX3PCT-2207-361	22M Pin	0.019	0.764	0.697	0.69	0.889	0.888	0.682	0.666	1.262	1.084	1.263	1.068	0.984	0.983
TX2PCT-2207-361	22M Pin	0.019	0.764	0.697	0.69	0.889	0.888	0.682	0.666	1.262	1.084	1.263	1.068	0.984	0.983
TX2PCT-2208-361	22M Pin	0.019	0.2	0.075	0.068	0.267	0.266	0.06	0.044	0.64	0.462	0.641	0.446	0.362	0.361
TX2PCT-2209-361	22M Pin	0.026	0.393	NONE	NONE	0.231	0.23	NONE	NONE	NONE	NONE	0.605	0.41	NONE	NONE
TX2PCT-2210-361	22M Pin	0.019	0.154	NONE	NONE	0.062	0.061	NONE	NONE	NONE	NONE	0.436	0.241	NONE	NONE
TX3PCT-2211-361	22M Pin	0.019	0.3	0.106	0.099	0.298	0.297	0.091	0.075	0.671	0.493	0.672	0.477	0.393	0.392
TX2PCT-2211-361	22M Pin	0.019	0.3	0.106	0.099	0.298	0.297	0.091	0.075	0.671	0.493	0.672	0.477	0.393	0.392
TX3PCT-2212-361	22M Pin	0.02	0.352	0.159	0.152	0.351	0.35	0.144	0.128	0.724	0.546	0.725	0.53	0.446	0.445

Milnec Part Number M30929 Derivative	Contact Size & Type	PCB Tail		CONTACT EXTENSION FROM AMPHENOL REAR ±.003						CONTACT EXTENSION FROM FLANGE ±.003					
		O.D.	Length	MS27466 & MS27652	MS27515, MS27654, MS27656	MS27596	MS27505	MS27568 Shells 9-17	MS27468 Shells 19-25	MS27466 & MS27652	MS27515, MS27654, MS27656	MS27596	MS27505	MS27568 Shells 9-17	MS27468 Shells 19-25
		±.001	±.001												
TX2PCT-2213-361	22M Pin	0.019	0.444	0.295	0.288	0.487	0.486	0.28	0.264	0.86	0.682	0.861	0.666	0.582	0.581
TX2PCT-2214-361	22M Pin	0.019	0.09	0.335	0.328	0.527	0.526	0.32	0.304	0.9	0.722	0.901	0.706	0.622	0.621
TX2PCT-2215-361	22M Pin	0.019	0.161	NONE	NONE	0.208	0.207	NONE	NONE	NONE	NONE	0.582	0.387	NONE	NONE
TX2PCT-2216-361	22M Pin	0.019	0.352	0.2	0.193	0.392	0.391	0.185	0.169	0.765	0.587	0.766	0.571	0.487	0.486
TX2PCT-2217-361	22M Pin	0.019	0.118	0.187	0.18	0.379	0.378	0.172	0.156	0.752	0.574	0.753	0.558	0.474	0.473
TX2PCT-2218-361	22M Pin	0.019	0.138	0.207	0.2	0.399	0.398	0.192	0.176	0.772	0.594	0.773	0.578	0.494	0.493
TX2PCT-2219-361	22M Pin	0.019	0.157	0.226	0.219	0.418	0.417	0.211	0.195	0.791	0.613	0.792	0.597	0.513	0.512
TX2PCT-2221-361	22M Pin	0.019	0.177	0.246	0.239	0.438	0.437	0.231	0.215	0.811	0.633	0.812	0.617	0.533	0.532
TX2PCT-2223-361	22M Pin	0.019	0.197	0.266	0.259	0.458	0.457	0.251	0.235	0.831	0.653	0.832	0.637	0.553	0.552
TX2PCT-2225-361	22M Pin	0.019	0.217	0.286	0.279	0.478	0.477	0.271	0.255	0.851	0.673	0.852	0.657	0.573	0.572
TX2PCT-2226-360	22M Pin	0.019	0.573	0.507	0.5	0.699	0.698	0.492	0.476	1.072	0.894	1.073	0.878	0.794	0.793
TX2PCT-2227-361	22M Pin	0.019	0.236	0.305	0.298	0.497	0.496	0.29	0.274	0.87	0.692	0.871	0.676	0.592	0.591
TX2PCT-2228-361	22M Pin	0.019	0.267	0.279	0.272	0.471	0.47	0.264	0.248	0.844	0.666	0.845	0.65	0.566	0.565
TX2PCT-2229-361	22M Pin	0.02	0.286	0.295	0.288	0.487	0.486	0.28	0.264	0.86	0.682	0.861	0.666	0.582	0.581
TX5PCT-2230-361	22M Pin	0.018	0.393	NONE	NONE	0.232	0.231	NONE	NONE	NONE	NONE	0.606	0.411	NONE	NONE
TX5PCT-2231-361	22M Pin	0.018	0.643	0.32	0.283	0.482	0.481	0.275	0.259	0.885	0.677	0.856	0.661	0.577	0.576
TX5PCT-2232-361	22M Pin	0.018	0.293	NONE	NONE	0.132	0.131	NONE	NONE	NONE	NONE	0.506	0.311	NONE	NONE
TX5PCT-2233-361	22M Pin	0.025	0.393	NONE	NONE	0.232	0.231	NONE	NONE	NONE	NONE	0.606	0.411	NONE	NONE
TX5PCT-2234-361	22M Pin	0.018	0.643	0.29	0.283	0.482	0.481	0.275	0.259	0.855	0.677	0.856	0.661	0.577	0.576
TX5PCT-2235-361	22M Pin	0.018	0.293	NONE	NONE	0.132	0.131	NONE	NONE	NONE	NONE	0.506	0.311	NONE	NONE
TX5PCT-2236-361	22M Pin	0.025	0.393	NONE	NONE	0.232	0.231	NONE	NONE	NONE	NONE	0.606	0.411	NONE	NONE
TX2PCT-2240-361	22M Pin	0.019	0.118	0.22	0.213	0.412	0.411	0.205	0.189	0.785	0.607	0.786	0.591	0.507	0.506
TX2PCT-2241-361	22M Pin	0.019	0.138	0.24	0.233	0.432	0.431	0.225	0.209	0.805	0.627	0.806	0.611	0.527	0.526
TX2PCT-2242-361	22M Pin	0.019	0.157	0.259	0.252	0.451	0.45	0.244	0.228	0.824	0.646	0.825	0.63	0.546	0.545
TX2PCT-2243-361	22M Pin	0.019	0.177	0.279	0.272	0.471	0.47	0.264	0.248	0.844	0.666	0.845	0.65	0.566	0.565
TX2PCT-2244-361	22M Pin	0.019	0.197	0.299	0.292	0.491	0.49	0.284	0.268	0.864	0.686	0.865	0.67	0.586	0.585
TX2PCT-2245-361	22M Pin	0.019	0.217	0.319	0.312	0.511	0.51	0.304	0.288	0.884	0.706	0.885	0.69	0.606	0.605
TX2PCT-2246-361	22M Pin	0.019	0.236	0.338	0.331	0.53	0.529	0.323	0.307	0.903	0.725	0.904	0.709	0.625	0.624
TX2PCT-2247-361	22M Pin	0.02	0.769	0.616	0.609	0.808	0.807	0.601	0.585	1.181	1.003	1.182	0.987	0.903	0.902
TX2PCT-2248-361	22M Pin	0.019	0.318	0.468	0.461	0.66	0.659	0.453	0.437	1.033	0.855	1.034	0.839	0.755	0.754
TX2PCT-2249-361	22M Pin	0.019	0.413	0.353	0.346	0.545	0.544	0.338	0.322	0.918	0.74	0.919	0.724	0.64	0.639
TX6PCT-2250-361	22M Pin	0.019	0.502	0.262	0.255	0.454	0.453	0.247	0.231	0.827	0.649	0.828	0.633	0.549	0.548
TX3PCT-2250-361	22M Pin	0.019	0.502	0.262	0.255	0.454	0.453	0.247	0.231	0.827	0.649	0.828	0.633	0.549	0.548
TX2PCT-2251-361	22M Pin	0.019	0.266	0.122	0.115	0.314	0.313	0.107	0.091	0.687	0.509	0.688	0.493	0.409	0.408
TX2PCT-2252-361	22M Pin	0.019	0.233	NONE	NONE	0.185	0.184	NONE	NONE	NONE	NONE	0.559	0.364	NONE	NONE
TX6PCT-2254-361	22M Pin	0.019	0.762	0.618	0.611	0.81	0.809	0.603	0.587	1.183	1.005	1.184	0.989	0.905	0.904
TX3PCT-2254-361	22M Pin	0.019	0.762	0.618	0.611	0.81	0.809	0.603	0.587	1.183	1.005	1.184	0.989	0.905	0.904
TX2PCT-2255-361	22M Pin	0.019	0.216	0.156	0.149	0.348	0.347	0.141	0.125	0.156	0.149	0.348	0.347	0.141	0.125
TX2PCT-2256-361	22M Pin	0.019	0.161	NONE	NONE	0.208	0.207	NONE	NONE	NONE	NONE	0.208	0.207	NONE	NONE
TX2PCT-2257-361	22M Pin	0.019	0.148	NONE	NONE	0.126	0.125	NONE	NONE	NONE	NONE	0.126	0.125	NONE	NONE
TX2PCT-2258-361	22M Pin	0.019	0.283	NONE	NONE	0.064	0.063	NONE	NONE	NONE	NONE	0.064	0.063	NONE	NONE
TX3PCT-2259-361	22M Pin	0.019	0.564	0.497	0.49	0.689	0.688	0.482	0.466	0.497	0.49	0.689	0.688	0.482	0.466
TX2PCT-2260-361	22M Pin	0.029	0.28	0.261	0.254	0.453	0.452	0.246	0.23	0.261	0.254	0.453	0.452	0.246	0.23
TX2PCT-2261-361	22M Pin	0.019	0.152	NONE	NONE	0.172	0.171	NONE	NONE	NONE	NONE	0.172	0.171	NONE	NONE
TX2PCT-2262-361	22M Pin	0.019	0.25	NONE	NONE	0.195	0.194	NONE	NONE	NONE	NONE	0.195	0.194	NONE	NONE
TX2PCT-2263-361	22M Pin	0.019	0.236	0.167	0.16	0.359	0.358	0.152	0.136	0.167	0.16	0.359	0.358	0.152	0.136
TX2PCT-2264-361	22M Pin	0.019	0.268	0.418	0.411	0.61	0.609	0.403	0.387	0.418	0.411	0.61	0.609	0.403	0.387
TX2PCT-2265-361	22M Pin	0.019	0.29	NONE	NONE	0.235	0.234	NONE	NONE	NONE	NONE	0.235	0.234	NONE	NONE
TX3PCT-2266-361	22M Pin	0.019	0.631	0.48	0.473	0.672	0.671	0.465	0.449	0.48	0.473	0.672	0.671	0.465	0.449
TX2PCT-2267-361	22M Pin	0.019	0.188	0.26	0.253	0.452	0.451	0.245	0.229	0.26	0.253	0.452	0.451	0.245	0.229
TX2PCT-2268-361	22M Pin	0.019	0.33	0.263	0.256	0.455	0.454	0.248	0.232	0.263	0.256	0.455	0.454	0.248	0.232
TX2PCT-2269-361	22M Pin	0.019	0.223	NONE	NONE	0.175	0.174	NONE	NONE	NONE	NONE	0.175	0.174	NONE	NONE
TX2PCT-2000-363	20 Pin	0.025	0.297	0.236	0.229	0.428	0.427	0.221	0.205	0.236	0.229	0.428	0.427	0.221	0.205
TX2PCT-2001-363	20 Pin	0.026	0.2	0.321	0.314	0.513	0.512	0.306	0.29	0.321	0.314	0.513	0.512	0.306	0.29

Milnec Part Number M30929 Derivative	Contact Size & Type	PCB Tail		CONTACT EXTENSION FROM AMPHENOL REAR ±.003						CONTACT EXTENSION FROM FLANGE ±.003					
		O.D.	Length	MS27466 & MS27652	MS27515, MS27654, MS27656	MS27596	MS27505	MS27568 Shells 9-17	MS27468 Shells 19-25	MS27466 & MS27652	MS27515, MS27654, MS27656	MS27596	MS27505	MS27568 Shells 9-17	MS27468 Shells 19-25
		±.001	±.001												
TX6PCT-2002-363	20 Pin	0.019	0.432	0.353	0.346	0.545	0.544	0.338	0.322	0.353	0.346	0.545	0.544	0.338	0.322
TX2PCT-2002-363	20 Pin	0.019	0.435	0.353	0.346	0.545	0.544	0.338	0.322	0.353	0.346	0.545	0.544	0.338	0.322
TX2PCT-2003-363	20 Pin	0.019	0.136	0.148	0.141	0.34	0.339	0.133	0.117	0.148	0.141	0.34	0.339	0.133	0.117
TX2PCT-2004-363	20 Pin	0.02	0.25	0.295	0.288	0.487	0.486	0.28	0.264	0.295	0.288	0.487	0.486	0.28	0.264
TX2PCT-2005-363	20 Pin	0.019	0.225	NONE	NONE	0.147	0.146	NONE	NONE	NONE	NONE	0.147	0.146	NONE	NONE
TX2PCT-2006-363	20 Pin	0.019	0.3	0.218	0.211	0.41	0.409	0.203	0.187	0.218	0.211	0.41	0.409	0.203	0.187
TX2PCT-2007-363	20 Pin	0.025	0.377	0.154	0.147	0.346	0.345	0.139	0.123	0.154	0.147	0.346	0.345	0.139	0.123
TX2PCT-2008-363	20 Pin	0.025	0.343	0.065	0.058	0.257	0.256	0.05	NONE	0.065	0.058	0.257	0.256	0.05	NONE
TX2PCT-2009-363	20 Pin	0.025	0.401	0.156	0.149	0.348	0.347	0.141	0.125	0.156	0.149	0.348	0.347	0.141	0.125
TX3PCT-2010-363	20 Pin	0.019	0.085	0.225	0.218	0.417	0.416	0.21	0.194	0.225	0.218	0.417	0.416	0.21	0.194
TX6PCT-2011-363	20 Pin	0.019	0.406	0.227	0.22	0.419	0.418	0.212	0.196	0.227	0.22	0.419	0.418	0.212	0.196
TX6PCT-2012-363	20 Pin	0.019	0.41	0.143	0.136	0.335	0.334	0.128	0.112	0.143	0.136	0.335	0.334	0.128	0.112
TX2PCT-2013-363	20 Pin	0.019	0.335	0.065	0.058	0.257	0.256	0.05	NONE	0.065	0.058	0.257	0.256	0.05	NONE
TX2PCT-2014-363	20 Pin	0.019	0.135	NONE	NONE	0.057	0.056	NONE	NONE	NONE	NONE	0.057	0.056	NONE	NONE
TX6PCT-2015-363	20 Pin	0.019	0.934	0.664	0.657	0.856	0.855	0.649	0.633	0.664	0.657	0.856	0.855	0.649	0.633
TX2PCT-2016-363	20 Pin	0.019	0.2	0.075	0.068	0.267	0.266	0.06	0.044	0.075	0.068	0.267	0.266	0.06	0.044
TX2PCT-2017-363	20 Pin	0.019	0.481	0.218	0.211	0.41	0.409	0.203	0.187	0.218	0.211	0.41	0.409	0.203	0.187
TX2PCT-2018-363	20 Pin	0.019	0.342	0.26	0.253	0.452	0.451	0.245	0.229	0.26	0.253	0.452	0.451	0.245	0.229
TX2PCT-2021-363	20 Pin	0.02	0.25	0.171	0.164	0.363	0.362	0.156	0.14	0.171	0.164	0.363	0.362	0.156	0.14
TX2PCT-2022-363	20 Pin	0.02	0.25	0.295	0.288	0.487	0.486	0.28	0.264	0.295	0.288	0.487	0.486	0.28	0.264
TX2PCT-2023-363	20 Pin	0.019	0.09	0.158	0.151	0.35	0.349	0.143	0.127	0.158	0.151	0.35	0.349	0.143	0.127
TX2PCT-2024-363	20 Pin	0.019	0.327	0.245	0.238	0.437	0.436	0.23	0.214	0.245	0.238	0.437	0.436	0.23	0.214
TX3PCT-2025-363	20 Pin	0.019	0.712	0.63	0.623	0.822	0.821	0.615	0.599	0.63	0.623	0.822	0.821	0.615	0.599
TX2PCT-2026-363	20 Pin	0.019	0.42	0.353	0.346	0.545	0.544	0.338	0.322	0.353	0.346	0.545	0.544	0.338	0.322
TX2PCT-2027-363	20 Pin	0.019	0.33	0.263	0.256	0.455	0.454	0.248	0.232	0.263	0.256	0.455	0.454	0.248	0.232
TX2PCT-2028-363	20 Pin	0.019	0.274	0.102	0.095	0.294	0.293	0.087	0.071	0.102	0.095	0.294	0.293	0.087	0.071
TX2PCT-2029-363	20 Pin	0.019	0.42	0.353	0.346	0.545	0.544	0.338	0.322	0.353	0.346	0.545	0.544	0.338	0.322
TX2PCT-2030-363	20 Pin	0.04	0.275	0.449	0.442	0.641	0.64	0.434	0.418	0.449	0.442	0.641	0.64	0.434	0.418
TX2PCT-2031-363	20 Pin	0.025	0.551	0.353	0.346	0.545	0.544	0.338	0.322	0.353	0.346	0.545	0.544	0.338	0.322
TX2PCT-2032-363	20 Pin	0.023	0.276	0.414	0.407	0.606	0.605	0.399	0.383	0.414	0.407	0.606	0.605	0.399	0.383
TX2PCT-2033-363	20 Pin	0.025	0.16	0.146	0.139	0.338	0.337	0.131	0.115	0.146	0.139	0.338	0.337	0.131	0.115
TX2PCT-2034-363	20 Pin	0.025	0.195	0.181	0.174	0.373	0.372	0.166	0.15	0.181	0.174	0.373	0.372	0.166	0.15
TX2PCT-2035-363	20 Pin	0.025	0.317	0.265	0.258	0.457	0.456	0.25	0.234	0.265	0.258	0.457	0.456	0.25	0.234
TX3PCT-2036-363	20 Pin	0.019	0.638	0.561	0.554	0.753	0.752	0.546	0.53	0.561	0.554	0.753	0.752	0.546	0.53
TX2PCT-2037-363	20 Pin	0.019	0.378	0.231	0.224	0.423	0.422	0.216	0.2	0.231	0.224	0.423	0.422	0.216	0.2
TX2PCT-2038-363	20 Pin	0.019	0.502	0.347	0.34	0.539	0.538	0.332	0.316	0.347	0.34	0.539	0.538	0.332	0.316
TX2PCT-2039-363	20 Pin	0.03	0.136	0.148	0.141	0.34	0.339	0.133	0.117	0.148	0.141	0.34	0.339	0.133	0.117
TX2PCT-2040-363	20 Pin	0.019	0.635	0.56	0.553	0.752	0.751	0.545	0.529	0.56	0.553	0.752	0.751	0.545	0.529
TX2PCT-2041-363	20 Pin	0.019	0.153	0.373	0.366	0.568	0.564	0.358	0.342	0.373	0.366	0.568	0.564	0.358	0.342
TX3PCT-2042-363	20 Pin	0.019	0.927	0.866	0.859	1.058	1.057	0.851	0.835	0.866	0.859	1.058	1.057	0.851	0.835
TX2PCT-2043-363	20 Pin	0.028	0.12	0.301	0.294	0.493	0.492	0.286	0.27	0.301	0.294	0.493	0.492	0.286	0.27
TX2PCT-2044-363	20 Pin	0.019	0.299	0.12	0.113	0.312	0.311	0.105	0.089	0.12	0.113	0.312	0.311	0.105	0.089
TX2PCT-2045-363	20 Pin	0.019	0.43	0.229	0.222	0.421	0.42	0.214	0.198	0.229	0.222	0.421	0.42	0.214	0.198
TX2PCT-2046-363	20 Pin	0.019	0.253	NONE	NONE	0.175	0.174	NONE	NONE	NONE	NONE	0.175	0.174	NONE	NONE
TX2PCT-2047-363	20 Pin	0.019	0.397	0.215	0.208	0.407	0.406	0.2	0.184	0.215	0.208	0.407	0.406	0.2	0.184
TX2PCT-2048-363	20 Pin	0.019	0.377	0.295	0.288	0.487	0.486	0.28	0.264	0.295	0.288	0.487	0.486	0.28	0.264
TX2PCT-2049-363	20 Pin	0.019	0.351	0.275	0.268	0.467	0.466	0.26	0.244	0.275	0.268	0.467	0.466	0.26	0.244
TX3PCT-2050-363	20 Pin	0.025	0.948	0.725	0.718	0.917	0.916	0.71	0.694	0.725	0.718	0.917	0.916	0.71	0.694
TX3PCT-2051-363	20 Pin	0.025	0.893	0.699	0.692	0.891	0.89	0.684	0.668	0.699	0.692	0.891	0.89	0.684	0.668
TX3PCT-2052-363	20 Pin	0.032	0.893	0.699	0.692	0.891	0.89	0.684	0.668	0.699	0.692	0.891	0.89	0.684	0.668
TX2PCT-2053-363	20 Pin	0.019	0.487	0.405	0.398	0.597	0.596	0.39	0.374	0.405	0.398	0.597	0.596	0.39	0.374
TX2PCT-2054-363	20 Pin	0.019	0.422	0.152	0.145	0.344	0.343	0.137	0.121	0.152	0.145	0.344	0.343	0.137	0.121
TX2PCT-2055-363	20 Pin	0.019	0.25	0.43	0.423	0.622	0.621	0.415	0.399	0.43	0.423	0.622	0.621	0.415	0.399
TX2PCT-2056-363	20 Pin	0.019	0.275	NONE	NONE	0.222	0.221	NONE	NONE	NONE	NONE	0.222	0.221	NONE	NONE

Milnec Part Number M30929 Derivative	Contact Size & Type	PCB Tail		CONTACT EXTENSION FROM AMPHENOL REAR ±.003						CONTACT EXTENSION FROM FLANGE ±.003					
		O.D.	Length	MS27466 & MS27652	MS27515, MS27654, MS27656	MS27596	MS27505	MS27568 Shells 9-17	MS27468 Shells 19-25	MS27466 & MS27652	MS27515, MS27654, MS27656	MS27596	MS27505	MS27568 Shells 9-17	MS27468 Shells 19-25
		±.001	±.001												
TX2PCT-2057-363	20 Pin	0.019	0.269	0.187	0.18	0.379	0.378	0.172	0.156	0.187	0.18	0.379	0.378	0.172	0.156
TX2PCT-2058-363	20 Pin	0.019	0.242	NONE	NONE	0.187	0.186	NONE	NONE	NONE	NONE	0.561	0.366	NONE	NONE
TX2PCT-2059-363	20 Pin	0.019	0.444	0.377	0.37	0.569	0.568	0.362	0.346	0.942	0.764	0.943	0.748	0.664	0.663
TX3PCT-2060-363	20 Pin	0.025	0.118	0.187	0.18	0.379	0.378	0.172	0.156	0.752	0.574	0.753	0.558	0.474	0.473
TX2PCT-2061-363	20 Pin	0.025	0.138	0.207	0.2	0.399	0.398	0.192	0.176	0.772	0.594	0.773	0.578	0.494	0.493
TX2PCT-2062-363	20 Pin	0.025	0.157	0.226	0.219	0.418	0.417	0.211	0.195	0.791	0.613	0.792	0.597	0.513	0.512
TX2PCT-2063-363	20 Pin	0.025	0.177	0.246	0.239	0.438	0.437	0.231	0.215	0.811	0.633	0.812	0.617	0.533	0.532
TX2PCT-2064-363	20 Pin	0.025	0.197	0.266	0.259	0.458	0.457	0.251	0.235	0.831	0.653	0.832	0.637	0.553	0.552
TX2PCT-2065-363	20 Pin	0.025	0.217	0.286	0.279	0.478	0.477	0.271	0.255	0.851	0.673	0.852	0.657	0.573	0.572
TX2PCT-2066-363	20 Pin	0.025	0.236	0.305	0.298	0.497	0.496	0.29	0.274	0.87	0.692	0.871	0.676	0.592	0.591
TX2PCT-2067-363	20 Pin	0.025	0.118	0.22	0.213	0.412	0.411	0.205	0.189	0.785	0.607	0.786	0.591	0.507	0.506
TX2PCT-2068-363	20 Pin	0.025	0.138	0.24	0.233	0.432	0.431	0.225	0.209	0.805	0.627	0.806	0.611	0.527	0.526
TX2PCT-2069-363	20 Pin	0.025	0.157	0.259	0.252	0.451	0.45	0.244	0.228	0.824	0.646	0.825	0.63	0.546	0.545
TX2PCT-2070-363	20 Pin	0.025	0.177	0.279	0.272	0.471	0.47	0.264	0.248	0.844	0.666	0.845	0.65	0.566	0.565
TX2PCT-2071-363	20 Pin	0.025	0.197	0.299	0.292	0.491	0.49	0.284	0.268	0.864	0.686	0.865	0.67	0.586	0.585
TX2PCT-2072-363	20 Pin	0.025	0.217	0.319	0.312	0.511	0.51	0.304	0.288	0.884	0.706	0.885	0.69	0.606	0.605
TX2PCT-2073-363	20 Pin	0.025	0.236	0.338	0.331	0.53	0.529	0.323	0.307	0.903	0.725	0.904	0.709	0.625	0.624
TX2PCT-2074-363	20 Pin	0.03	0.769	0.616	0.609	0.808	0.807	0.601	0.585	1.181	1.003	1.182	0.987	0.903	0.902
TX2PCT-2075-363	20 Pin	0.039	0.28	0.261	0.254	0.453	0.452	0.246	0.23	0.826	0.648	0.827	0.632	0.548	0.547
TX2PCT-2076-363	20 Pin	0.026	0.384	0.433	0.426	0.625	0.624	0.418	0.402	0.998	0.82	0.999	0.804	0.72	0.719
TX3PCT-2077-363	20 Pin	0.019	0.642	0.56	0.553	0.752	0.751	0.545	0.529	1.125	0.947	1.126	0.931	0.847	0.846
TX2PCT-2078-363	20 Pin	0.019	0.3	0.218	0.211	0.41	0.409	0.203	0.187	0.783	0.605	0.784	0.589	0.505	0.504
TX2PCT-2079-363	20 Pin	0.019	0.435	0.353	0.346	0.545	0.544	0.388	0.322	0.918	0.74	0.919	0.724	0.69	0.639
TX2PCT-2080-363	20 Pin	0.025	0.237	NONE	NONE	0.185	0.184	NONE	NONE	NONE	NONE	0.559	0.364	NONE	NONE
TX2PCT-2081-363	20 Pin	0.025	0.242	0.183	0.176	0.375	0.374	0.168	0.152	0.748	0.57	0.749	0.554	0.47	0.469
TX2PCT-2082-363	20 Pin	0.025	0.383	0.113	0.106	0.305	0.304	0.098	0.082	0.678	0.5	0.679	0.484	0.4	0.399
TX3PCT-2083-363	20 Pin	0.025	0.566	0.508	0.501	0.7	0.699	0.493	0.477	1.073	0.895	1.074	0.879	0.795	0.794
TX2PCT-2084-363	20 Pin	0.025	0.945	0.725	0.718	0.917	0.916	0.71	0.694	1.29	1.112	1.291	1.096	1.012	1.011
TX2PCT-2085-363	20 Pin	0.025	0.762	0.618	0.611	0.81	0.809	0.603	0.587	1.183	1.005	1.184	0.989	0.905	0.904
TX2PCT-2086-363	20 Pin	0.025	0.32	0.18	0.173	0.372	0.371	0.165	0.149	0.745	0.567	0.746	0.551	0.467	0.466
TX2PCT-2087-363	20 Pin	0.019	0.259	NONE	NONE	0.204	0.203	NONE	NONE	NONE	NONE	0.578	0.383	NONE	NONE
TX2PCT-2088-363	20 Pin	0.019	0.233	0.094	0.087	0.286	0.285	0.079	0.063	0.659	0.481	0.66	0.465	0.381	0.38
TX2PCT-2089-363	20 Pin	0.019	0.438	0.168	0.161	0.36	0.359	0.153	0.137	0.733	0.555	0.734	0.539	0.455	0.454
TX2PCT-2090-363	20 Pin	0.019	0.213	0.221	0.214	0.413	0.412	0.206	0.19	0.786	0.608	0.787	0.592	0.508	0.507
TX2PCT-2091-363	20 Pin	0.025	0.15	0.22	0.213	0.412	0.411	0.205	0.189	0.785	0.607	0.786	0.591	0.507	0.506
TX3PCT-2092-363	20 Pin	0.025	0.49	0.42	0.413	0.612	0.611	0.405	0.389	0.985	0.807	0.986	0.791	0.707	0.706
TX2PCT-2093-363	20 Pin	0.034	0.49	0.156	0.149	0.348	0.347	0.141	0.125	0.721	0.543	0.722	0.527	0.443	0.442
TX2PCT-2094-363	20 Pin	0.019	0.285	0.269	0.262	0.461	0.46	0.254	0.238	0.834	0.656	0.835	0.64	0.556	0.555
TX2PCT-2095-363	20 Pin	0.019	0.225	0.143	0.136	0.335	0.334	0.128	0.112	0.708	0.53	0.709	0.514	0.43	0.429
TX2PCT-2096-363	20 Pin	0.019	0.512	0.445	0.438	0.637	0.636	0.43	0.414	1.01	0.832	1.011	0.816	0.732	0.731
TX2PCT-2097-363	20 Pin	0.019	0.559	0.492	0.485	0.684	0.683	0.477	0.461	1.057	0.879	1.058	0.863	0.779	0.778
TX2PCT-2098-363	20 Pin	0.019	0.542	0.46	0.453	0.652	0.651	0.445	0.429	1.025	0.847	1.026	0.831	0.747	0.746
TX2PCT-2099-363	20 Pin	0.019	0.415	0.26	0.253	0.452	0.451	0.245	0.229	0.825	0.647	0.826	0.631	0.547	0.546
TX2PCT-2002E-363	20 Pin	0.019	0.09	0.17	0.163	0.362	0.361	0.155	0.139	0.735	0.557	0.736	0.541	0.457	0.456
TX2PCT-2003E-363	20 Pin	0.019	0.115	0.17	0.163	0.362	0.361	0.155	0.139	0.735	0.557	0.736	0.541	0.457	0.456
TX2PCT-2004E-363	20 Pin	0.019	0.261	0.117	0.11	0.309	0.308	0.102	0.086	0.682	0.504	0.683	0.488	0.404	0.403
TX2PCT-2005E-363	20 Pin	0.019	0.285	0.305	0.298	0.497	0.496	0.29	0.274	0.87	0.692	0.871	0.676	0.592	0.591
TX2PCT-2006E-363	20 Pin	0.019	0.271	0.321	0.314	0.513	0.512	0.306	0.29	0.886	0.708	0.887	0.692	0.608	0.607
TX2PCT-2007E-363	20 Pin	0.019	0.545	0.295	0.288	0.487	0.486	0.28	0.264	0.86	0.682	0.861	0.666	0.582	0.581
TX2PCT-2008E-363	20 Pin	0.019	0.295	0.475	0.468	0.667	0.666	0.46	0.444	1.04	0.862	1.041	0.846	0.762	0.761
TX2PCT-2010E-363	20 Pin	0.019	0.22	0.43	0.423	0.622	0.621	0.415	0.399	0.995	0.817	0.996	0.801	0.717	0.716
TX2PCT-2011E-363	20 Pin	0.019	0.095	0.64	0.633	0.832	0.831	0.625	0.609	1.205	1.027	1.206	1.011	0.927	0.926
TX2PCT-2012E-363	20 Pin	0.019	0.333	0.083	0.076	0.275	0.274	0.068	0.052	0.648	0.47	0.649	0.454	0.37	0.369
TX2PCT-2013E-363	20 Pin	0.04	0.25	0.469	0.462	0.066	0.66	0.454	0.438	1.034	0.856	0.44	0.84	0.756	0.755

Milnec Part Number M30929 Derivative	Contact Size & Type	PCB Tail		CONTACT EXTENSION FROM AMPHENOL REAR ±.003						CONTACT EXTENSION FROM FLANGE ±.003					
		O.D.	Length	MS27466 & MS27652	MS27515, MS27654, MS27656	MS27596	MS27505	MS27568 Shells 9-17	MS27468 Shells 19-25	MS27466 & MS27652	MS27515, MS27654, MS27656	MS27596	MS27505	MS27568 Shells 9-17	MS27468 Shells 19-25
		±.001	±.001												
TX2PCT-1600-364	16 Pin	0.062	0.548	0.354	0.347	0.546	0.545	0.339	0.323	0.919	0.741	0.92	0.725	0.641	0.64
TX2PCT-1601-364	16 Pin	0.062	0.342	0.343	0.336	0.535	0.534	0.328	0.312	0.908	0.73	0.909	0.714	0.63	0.629
TX2PCT-1602-364	16 Pin	0.062	0.307	0.065	0.058	0.257	0.256	0.05	0.034	0.63	0.452	0.631	0.436	0.352	0.351
TX2PCT-1603-364	16 Pin	0.048	0.547	0.353	0.346	0.545	0.544	0.338	0.322	0.918	0.74	0.919	0.724	0.64	0.639
TX2PCT-1604-364	16 Pin	0.062	0.387	0.115	0.108	0.307	0.306	0.1	0.084	0.68	0.502	0.681	0.486	0.402	0.401
TX2PCT-1605-364	16 Pin	0.057	0.118	0.364	0.357	0.556	0.555	0.349	0.333	0.929	0.751	0.93	0.735	0.651	0.65
TX2PCT-1606-364	16 Pin	0.05	0.17	0.285	0.278	0.477	0.476	0.27	0.254	0.85	0.672	0.851	0.656	0.572	0.571
TX2PCT-1607-364	16 Pin	0.062	0.752	0.609	0.602	0.801	0.8	0.594	0.578	1.174	0.996	1.175	0.98	0.896	0.895
TX2PCT-1608-364	16 Pin	0.062	0.09	0.158	0.151	0.35	0.349	0.143	0.127	0.723	0.545	0.724	0.529	0.445	0.444
TX2PCT-1609-364	16 Pin	0.062	0.548	0.453	0.446	0.645	0.644	0.438	0.422	1.018	0.84	1.019	0.824	0.74	0.739
TX2PCT-1610-364	16 Pin	0.025	0.436	0.354	0.347	0.546	0.545	0.339	0.323	0.919	0.741	0.92	0.725	0.641	0.64
TX2PCT-1611-364	16 Pin	0.025	0.165	0.146	0.139	0.338	0.337	0.131	0.115	0.711	0.533	0.712	0.517	0.433	0.432
TX2PCT-1612-364	16 Pin	0.025	0.2	0.181	0.174	0.373	0.372	0.166	0.15	0.746	0.568	0.747	0.552	0.468	0.467
TX2PCT-1613-364	16 Pin	0.025	0.238	0.219	0.212	0.411	0.41	0.204	0.188	0.784	0.606	0.785	0.59	0.506	0.505
TX2PCT-1614-364	16 Pin	0.062	0.225	NONE	NONE	0.147	0.146	NONE	NONE	NONE	NONE	0.521	0.326	NONE	NONE
TX2PCT-1615-364	16 Pin	0.062	0.254	NONE	NONE	0.204	0.203	NONE	NONE	NONE	NONE	0.578	0.383	NONE	NONE
TX2PCT-1618-364	16 Pin	0.025	0.085	0.225	0.218	0.417	0.416	0.21	0.194	0.79	0.612	0.791	0.596	0.512	0.511
TX2PCT-1620-364	16 Pin	0.04	0.548	0.261	0.254	0.453	0.452	0.246	0.23	0.826	0.648	0.827	0.632	0.548	0.547
TX2PCT-1621-364	16 Pin	0.04	0.629	0.342	0.335	0.534	0.533	0.327	0.311	0.907	0.729	0.908	0.713	0.629	0.628
TX2PCT-1630-364	16 Pin	0.035	0.135	NONE	NONE	0.15	0.149	NONE	NONE	NONE	NONE	0.524	0.329	NONE	NONE
TX2PCT-1640-364	16 Pin	0.062	0.118	0.187	0.18	0.379	0.378	0.172	0.156	0.752	0.574	0.753	0.558	0.474	0.473
TX2PCT-1641-364	16 Pin	0.062	0.138	0.207	0.2	0.399	0.398	0.192	0.176	0.772	0.594	0.773	0.578	0.494	0.493
TX2PCT-1642-364	16 Pin	0.062	0.157	0.226	0.219	0.418	0.417	0.211	0.195	0.791	0.613	0.792	0.597	0.513	0.512
TX2PCT-1643-364	16 Pin	0.062	0.177	0.246	0.239	0.438	0.437	0.231	0.215	0.811	0.633	0.812	0.617	0.533	0.532
TX2PCT-1644-364	16 Pin	0.062	0.197	0.266	0.259	0.458	0.457	0.251	0.235	0.831	0.653	0.832	0.637	0.553	0.552
TX2PCT-1645-364	16 Pin	0.062	0.217	0.286	0.279	0.478	0.477	0.271	0.255	0.851	0.673	0.852	0.657	0.573	0.572
TX2PCT-1646-364	16 Pin	0.062	0.236	0.305	0.298	0.497	0.496	0.29	0.274	0.87	0.692	0.871	0.676	0.592	0.591
TX2PCT-1647-364	16 Pin	0.062	0.118	0.22	0.213	0.412	0.411	0.205	0.189	0.785	0.607	0.786	0.591	0.507	0.506
TX2PCT-1648-364	16 Pin	0.062	0.138	0.24	0.233	0.432	0.431	0.225	0.209	0.805	0.627	0.806	0.611	0.527	0.526
TX2PCT-1649-364	16 Pin	0.062	0.157	0.259	0.252	0.451	0.45	0.244	0.228	0.824	0.646	0.825	0.63	0.546	0.545
TX2PCT-1650-364	16 Pin	0.062	0.177	0.279	0.272	0.471	0.47	0.264	0.248	0.844	0.666	0.845	0.65	0.566	0.565
TX2PCT-1651-364	16 Pin	0.062	0.197	0.299	0.292	0.491	0.49	0.284	0.268	0.864	0.686	0.865	0.67	0.586	0.585
TX2PCT-1652-364	16 Pin	0.062	0.217	0.319	0.312	0.511	0.51	0.304	0.288	0.884	0.706	0.885	0.69	0.606	0.605
TX2PCT-1653-364	16 Pin	0.062	0.236	0.338	0.331	0.53	0.529	0.323	0.307	0.903	0.725	0.904	0.709	0.625	0.624
TX2PCT-1654-364	16 Pin	0.048	0.893	0.699	0.692	0.891	0.89	0.684	0.668	1.264	1.086	1.265	1.07	0.986	0.985
TX2PCT-1655-364	16 Pin	0.06	0.769	0.616	0.609	0.808	0.807	0.601	0.585	1.181	1.003	1.182	0.987	0.903	0.902
TX2PCT-1656-364	16 Pin	0.062	0.301	0.231	0.224	0.423	0.422	0.216	0.2	0.796	0.618	0.797	0.602	0.518	0.517
TX2PCT-1657-364	16 Pin	0.062	0.434	0.268	0.261	0.46	0.459	0.253	0.237	0.833	0.655	0.834	0.639	0.555	0.554
TX2PCT-1658-364	16 Pin	0.039	0.12	0.301	0.294	0.493	0.492	0.286	0.27	0.866	0.688	0.867	0.672	0.588	0.587
TX2PCT-1659-364	16 Pin	0.062	0.28	0.283	0.276	0.475	0.474	0.268	0.252	0.848	0.67	0.849	0.654	0.57	0.569
TX2PCT-1660-364	16 Pin	0.062	0.213	0.221	0.214	0.413	0.412	0.206	0.19	0.786	0.608	0.787	0.592	0.508	0.507
TX2PCT-1661-364	16 Pin	0.062	0.413	0.227	0.22	0.419	0.418	0.212	0.196	0.792	0.614	0.793	0.598	0.514	0.513
TX2PCT-1662-364	16 Pin	0.062	0.239	0.053	0.046	0.245	0.244	0.038	0.022	0.618	0.44	0.619	0.424	0.34	0.339
TX2PCT-1663-364	16 Pin	0.062	0.428	0.241	0.234	0.433	0.432	0.226	0.21	0.806	0.628	0.807	0.612	0.528	0.527
TX2PCT-1664-364	16 Pin	0.062	0.179	NONE	NONE	0.177	0.176	NONE	NONE	NONE	NONE	0.551	0.356	NONE	NONE
TX2PCT-1665-364	16 Pin	0.062	0.653	0.459	0.452	0.651	0.65	0.444	0.428	1.024	0.846	1.025	0.83	0.746	0.745
TX2PCT-1666-364	16 Pin	0.062	0.42	0.353	0.346	0.545	0.544	0.338	0.322	0.918	0.74	0.919	0.724	0.64	0.639
TX2PCT-1667-364	16 Pin	0.062	0.33	0.263	0.256	0.455	0.454	0.248	0.232	0.828	0.65	0.829	0.634	0.55	0.549
TX2PCT-1668-364	16 Pin	0.062	0.247	0.082	0.075	0.274	0.273	0.067	0.051	0.647	0.469	0.648	0.453	0.369	0.368
TX2PCT-1669-364	16 Pin	0.062	0.502	0.347	0.34	0.539	0.538	0.332	0.316	0.912	0.734	0.913	0.718	0.634	0.633
TX2PCT-1670-364	16 Pin	0.062	0.635	0.56	0.553	0.752	0.751	0.545	0.529	1.125	0.947	1.126	0.931	0.847	0.846
TX2PCT-1671-364	16 Pin	0.062	0.267	0.075	0.068	0.267	0.266	0.06	0.044	0.64	0.462	0.641	0.446	0.362	0.361
TX2PCT-1672-364	16 Pin	0.062	0.573	0.507	0.5	0.699	0.698	0.492	0.476	1.072	0.894	1.073	0.878	0.794	0.793
TX2PCT-1673-364	16 Pin	0.062	0.25	0.43	0.423	0.622	0.621	0.415	0.399	0.995	0.817	0.996	0.801	0.717	0.716

Milnec Part Number M30929 Derivative	Contact Size & Type	PCB Tail		CONTACT EXTENSION FROM AMPHENOL REAR ±.003						CONTACT EXTENSION FROM FLANGE ±.003					
		O.D.	Length	MS27466 & MS27652	MS27515, MS27654, MS27656	MS27596	MS27505	MS27568 Shells 9-17	MS27468 Shells 19-25	MS27466 & MS27652	MS27515, MS27654, MS27656	MS27596	MS27505	MS27568 Shells 9-17	MS27468 Shells 19-25
		±.001	±.001												
TX2PCT-1674-364	16 Pin	0.062	0.378	0.234	0.227	0.426	0.425	0.219	0.203	0.799	0.621	0.8	0.605	0.521	0.52
TX2PCT-1675-364	16 Pin	0.062	0.315	0.16	0.153	0.352	0.351	0.145	0.129	0.725	0.547	0.726	0.531	0.447	0.446
TX2PCT-1676-364	16 Pin	0.062	0.38	0.561	0.554	0.753	0.752	0.546	0.53	1.126	0.948	1.127	0.932	0.848	0.847
TX2PCT-1677-364	16 Pin	0.062	0.45	0.295	0.288	0.487	0.486	0.28	0.264	0.86	0.682	0.861	0.666	0.582	0.581
TX2PCT-1678-364	16 Pin	0.062	0.322	0.13	0.123	0.322	0.321	0.115	0.099	0.695	0.517	0.696	0.501	0.417	0.416
TX2PCT-1679-364	16 Pin	0.062	0.385	NONE	NONE	0.223	0.222	NONE	NONE	NONE	NONE	0.597	0.402	NONE	NONE
TX2PCT-1680-364	16 Pin	0.062	0.522	0.378	0.371	0.57	0.569	0.363	0.347	0.943	0.765	0.944	0.749	0.665	0.664
TX2PCT-1681-364	16 Pin	0.062	0.395	0.203	0.196	0.395	0.394	0.188	0.172	0.768	0.59	0.769	0.574	0.49	0.489
TX2PCT-1682-364	16 Pin	0.062	0.301	0.236	0.229	0.428	0.427	0.221	0.205	0.801	0.623	0.802	0.607	0.523	0.522
TX2PCT-1683-364	16 Pin	0.062	0.445	0.253	0.246	0.445	0.444	0.238	0.222	0.818	0.64	0.819	0.624	0.54	0.539
TX2PCT-1684-364	16 Pin	0.062	0.852	0.792	0.785	0.984	0.983	0.777	0.761	1.357	1.179	1.358	1.163	1.079	1.078
TX2PCT-1685-364	16 Pin	0.062	0.397	0.315	0.308	0.507	0.506	0.3	0.284	0.88	0.702	0.881	0.686	0.602	0.601
TX2PCT-1686-364	16 Pin	0.062	0.945	0.725	0.718	0.917	0.916	0.71	0.694	1.29	1.112	1.291	1.096	1.012	1.011
TX2PCT-1687-364	16 Pin	0.062	0.813	0.746	0.739	0.938	0.937	0.731	0.715	1.311	1.133	1.312	1.117	1.033	1.032
TX2PCT-1688-364	16 Pin	0.062	0.512	0.445	0.438	0.637	0.636	0.43	0.414	1.01	0.832	1.011	0.816	0.732	0.731
TX2PCT-1689-364	16 Pin	0.062	0.19	0.211	0.204	0.403	0.402	0.196	0.18	0.776	0.598	0.777	0.582	0.498	0.497
TX2PCT-1690-364	16 Pin	0.054	0.138	0.156	0.149	0.348	0.347	0.141	0.125	0.721	0.543	0.722	0.527	0.443	0.442
TX2PCT-1691-364	16 Pin	0.04	0.2	0.178	0.171	0.37	0.369	0.163	0.147	0.743	0.565	0.744	0.549	0.465	0.464
TX2PCT-1692-364	16 Pin	0.062	0.25	0.469	0.462	0.661	0.66	0.454	0.438	1.034	0.856	1.035	0.84	0.756	0.755
TX2PCT-1200-365	16 Pin	0.081	0.643	0.353	0.346	0.545	0.544	0.338	0.322	0.918	0.74	0.919	0.724	0.64	0.639
TX2PCT-1201-365	12 Pin	0.081	0.473	0.183	0.176	0.375	0.374	0.168	0.152	0.748	0.57	0.749	0.554	0.47	0.469
TX2PCT-1202-365	12 Pin	0.081	0.243	NONE	NONE	0.145	0.144	NONE	NONE	NONE	NONE	0.519	0.324	NONE	NONE
TX2PCT-1203-365	12 Pin	0.081	0.523	0.233	0.226	0.425	0.424	0.218	0.202	0.798	0.62	0.799	0.604	0.52	0.519
TX2PCT-1204-365	12 Pin	0.081	0.157	0.216	0.209	0.408	0.407	0.201	0.185	0.781	0.603	0.782	0.587	0.503	0.502
TX2PCT-1205-365	12 Pin	0.081	0.213	0.34	0.333	0.532	0.531	0.325	0.309	0.905	0.727	0.906	0.711	0.627	0.626
TX2PCT-1206-365	12 Pin	0.081	0.244	0.301	0.294	0.493	0.492	0.286	0.27	0.866	0.688	0.867	0.672	0.588	0.587
TX2PCT-1207-365	12 Pin	0.081	0.88	0.585	0.578	0.777	0.776	0.57	0.554	1.15	0.972	1.151	0.956	0.872	0.871
TX2PCT-1208-365	12 Pin	0.08	0.706	0.462	0.455	0.654	0.653	0.447	0.431	1.027	0.849	1.028	0.833	0.749	0.748
TX2PCT-1210-365	12 Pin	0.081	0.145	0.146	0.139	0.338	0.337	0.131	0.115	0.711	0.533	0.712	0.517	0.433	0.432
TX2PCT-1211-365	12 Pin	0.081	0.18	0.181	0.174	0.373	0.372	0.166	0.15	0.746	0.568	0.747	0.552	0.468	0.467
TX2PCT-1230-365	12 Pin	0.081	0.3	0.526	0.519	0.718	0.717	0.511	0.495	1.091	0.913	1.092	0.897	0.813	0.812
TX2PCT-1231-365	12 Pin	0.081	0.59	0.598	0.591	0.79	0.789	0.583	0.567	1.163	0.985	1.164	0.969	0.885	0.884
TX2PCT-1240-365	12 Pin	0.081	0.118	0.187	0.18	0.379	0.378	0.172	0.156	0.752	0.574	0.753	0.558	0.474	0.473
TX2PCT-1241-365	12 Pin	0.081	0.138	0.207	0.2	0.399	0.398	0.192	0.176	0.772	0.594	0.773	0.578	0.494	0.493
TX2PCT-1242-365	12 Pin	0.081	0.157	0.226	0.219	0.418	0.417	0.211	0.195	0.791	0.613	0.792	0.597	0.513	0.512
TX2PCT-1243-365	12 Pin	0.081	0.177	0.246	0.239	0.438	0.437	0.231	0.215	0.811	0.633	0.812	0.617	0.533	0.532
TX2PCT-1244-365	12 Pin	0.081	0.197	0.266	0.259	0.458	0.457	0.251	0.235	0.831	0.653	0.832	0.637	0.553	0.552
TX2PCT-1245-365	12 Pin	0.081	0.217	0.286	0.279	0.478	0.477	0.271	0.255	0.851	0.673	0.852	0.657	0.573	0.572
TX2PCT-1246-365	12 Pin	0.081	0.236	0.305	0.298	0.497	0.496	0.29	0.274	0.87	0.692	0.871	0.676	0.592	0.591
TX2PCT-1247-365	12 Pin	0.081	0.118	0.22	0.213	0.412	0.411	0.205	0.189	0.785	0.607	0.786	0.591	0.507	0.506
TX2PCT-1248-365	12 Pin	0.081	0.138	0.24	0.233	0.432	0.431	0.225	0.209	0.805	0.627	0.806	0.611	0.527	0.526
TX2PCT-1249-365	12 Pin	0.081	0.157	0.259	0.252	0.451	0.45	0.244	0.228	0.824	0.646	0.825	0.63	0.546	0.545
TX2PCT-1250-365	12 Pin	0.081	0.177	0.279	0.272	0.471	0.47	0.264	0.248	0.844	0.666	0.845	0.65	0.566	0.565
TX2PCT-1251-365	12 Pin	0.081	0.197	0.299	0.292	0.491	0.49	0.284	0.268	0.864	0.686	0.865	0.67	0.586	0.585
TX2PCT-1252-365	12 Pin	0.081	0.217	0.319	0.312	0.511	0.51	0.304	0.288	0.884	0.706	0.885	0.69	0.606	0.605
TX2PCT-1253-365	12 Pin	0.081	0.236	0.338	0.331	0.53	0.529	0.323	0.307	0.903	0.725	0.904	0.709	0.625	0.624
TX2PCT-1254-365	12 Pin	0.094	0.28	0.301	0.294	0.493	0.492	0.286	0.27	0.866	0.688	0.867	0.672	0.588	0.587
TX2PCT-1255-365	12 Pin	0.081	0.28	0.533	0.526	0.725	0.724	0.518	0.502	1.098	0.92	1.099	0.904	0.82	0.819
TX2PCT-1256-365	12 Pin	0.081	0.265	0.394	0.387	0.586	0.585	0.379	0.363	0.959	0.781	0.96	0.765	0.681	0.68
TX2PCT-1257-365	12 Pin	0.081	0.25	0.469	0.462	0.661	0.66	0.454	0.438	1.034	0.856	1.035	0.84	0.756	0.755
SS2PCT-2200-360	22D Socket	0.019	0.205	NONE	NONE	0.202	0.201	NONE	NONE	NONE	NONE	0.576	0.381	NONE	NONE
SS2PCT-2201-360	22D Socket	0.02	0.42	0.352	0.345	0.544	0.543	0.337	0.321	0.917	0.739	0.918	0.723	0.639	0.638
SS3PCT-2202-360	22D Socket	0.015	0.24	0.07	0.063	0.262	0.261	0.055	0.039	0.635	0.457	0.636	0.441	0.357	0.356
SS3PCT-2203-360	22D Socket	0.015	0.34	0.17	0.163	0.362	0.361	0.155	0.139	0.735	0.557	0.736	0.541	0.457	0.456

Milnec Part Number M30929 Derivative	Contact Size & Type	PCB Tail		CONTACT EXTENSION FROM AMPHENOL REAR ±.003						CONTACT EXTENSION FROM FLANGE ±.003					
		O.D.	Length	MS27466 & MS27652	MS27515, MS27654, MS27656	MS27596	MS27505	MS27568 Shells 9-17	MS27468 Shells 19-25	MS27466 & MS27652	MS27515, MS27654, MS27656	MS27596	MS27505	MS27568 Shells 9-17	MS27468 Shells 19-25
		±.001	±.001												
SS3PCT-2204-360	22D Socket	0.015	0.44	0.27	0.263	0.462	0.461	0.255	0.239	0.835	0.657	0.836	0.641	0.557	0.556
SS2PCT-2205-360	22D Socket	0.019	0.54	0.37	0.363	0.562	0.561	0.355	0.339	0.935	0.757	0.936	0.741	0.657	0.656
SS3PCT-2205-360	22D Socket	0.019	0.54	0.37	0.363	0.562	0.561	0.355	0.339	0.935	0.757	0.936	0.741	0.657	0.656
SS2PCT-2206-360	22D Socket	0.02	0.538	0.537	0.53	0.729	0.728	0.522	0.506	1.102	0.924	1.103	0.908	0.824	0.823
SS2PCT-2207-360	22D Socket	0.019	0.232	0.232	0.225	0.424	0.423	0.217	0.201	0.797	0.619	0.798	0.603	0.519	0.518
SS2PCT-2208-360	22D Socket	0.025	0.245	0.378	0.371	0.57	0.569	0.363	0.347	0.943	0.765	1.057	0.749	0.665	0.664
SS2PCT-2209-360	22D Socket	0.02	0.25	NONE	NONE	0.195	0.194	NONE	NONE	NONE	NONE	0.682	0.374	NONE	NONE
SS2PCT-2210-360	22D Socket	0.02	0.437	0.281	0.274	0.473	0.472	0.266	0.25	0.846	0.668	0.96	0.652	0.568	0.567
SS2PCT-2211-360	22D Socket	0.019	0.266	0.198	0.191	0.39	0.389	0.183	0.167	0.763	0.585	0.877	0.569	0.485	0.484
SS2PCT-2212-360	22D Socket	0.02	0.355	0.16	0.153	0.352	0.351	0.145	0.129	0.725	0.547	0.839	0.531	0.447	0.446
SS2PCT-2213-360	22D Socket	0.021	0.345	0.343	0.336	0.536	0.535	0.327	0.314	0.908	0.73	1.023	0.715	0.629	0.631
SS2PCT-2214-360	22D Socket	0.019	0.145	0.146	0.139	0.338	0.337	0.131	0.115	0.711	0.533	0.825	0.517	0.433	0.432
SS2PCT-2215-360	22D Socket	0.021	0.283	0.283	0.276	0.475	0.474	0.268	0.252	0.848	0.67	0.962	0.654	0.57	0.569
SS2PCT-2216-360	22D Socket	0.02	0.122	NONE	NONE	0.149	0.148	NONE	NONE	NONE	NONE	0.636	0.328	NONE	NONE
SS2PCT-2217-360	22D Socket	0.019	0.177	0.466	0.459	0.658	0.657	0.451	0.435	1.031	0.853	1.145	0.837	0.753	0.752
SS2PCT-2218-360	22D Socket	0.019	0.336	0.365	0.358	0.577	0.556	0.35	0.334	0.93	0.752	0.951	0.736	0.652	0.651
SS2PCT-2220-360	22D Socket	0.019	0.276	0.287	0.28	0.479	0.478	0.272	0.256	0.852	0.674	0.853	0.658	0.574	0.573
SS2PCT-2221-360	22D Socket	0.02	0.283	1.052	1.045	1.244	1.243	1.037	1.021	1.617	1.439	1.618	1.423	1.339	1.338
SS2PCT-2223-360	22D Socket	0.025	0.365	0.473	0.466	0.665	0.664	0.458	0.442	1.038	0.86	1.039	0.844	0.76	0.759
SS2PCT-2225-360	22D Socket	0.019	0.492	0.426	0.419	0.618	0.617	0.411	0.395	0.991	0.813	0.992	0.797	0.713	0.712
SS2PCT-2226-360	22D Socket	0.024	0.114	NONE	NONE	0.13	0.129	NONE	NONE	NONE	NONE	0.504	0.309	NONE	NONE
SS2PCT-2227-360	22D Socket	0.027	0.227	0.474	0.467	0.666	0.665	0.459	0.443	1.039	0.861	1.04	0.845	0.761	0.76
SS2PCT-2228-360	22D Socket	0.025	0.396	0.043	0.036	0.235	0.234	0.028	0.012	0.608	0.43	0.609	0.414	0.33	0.329
SS2PCT-2229-360	22D Socket	0.03	0.3	0.366	0.359	0.558	0.557	0.351	0.335	0.931	0.753	0.932	0.737	0.653	0.652
SS2PCT-2230-360	22D Socket	0.02	0.22	0.056	0.049	0.248	0.247	0.041	0.025	0.621	0.443	0.622	0.427	0.343	0.342
SS2PCT-2231-360	22D Socket	0.02	0.407	0.253	0.246	0.445	0.444	0.238	0.222	0.818	0.64	0.819	0.624	0.54	0.539
SS2PCT-2232-360	22D Socket	0.02	0.45	0.236	0.229	0.428	0.427	0.221	0.205	0.801	0.623	0.802	0.607	0.523	0.522
SS2PCT-2233-360	22D Socket	0.02	0.44	0.224	0.217	0.416	0.415	0.209	0.193	0.789	0.611	0.79	0.595	0.511	0.51
SS2PCT-2234-360	22D Socket	0.02	0.277	0.123	0.116	0.315	0.314	0.108	0.092	0.688	0.51	0.689	0.494	0.41	0.409
SS2PCT-2235-360	22D Socket	0.019	0.211	NONE	NONE	0.207	0.206	NONE	NONE	NONE	NONE	0.581	0.386	NONE	NONE
SS2PCT-2236-360	22D Socket	0.019	0.18	0.181	0.174	0.373	0.372	0.166	0.15	0.746	0.568	0.747	0.552	0.468	0.467
SS2PCT-2237-360	22D Socket	0.03	0.763	0.611	0.604	0.803	0.802	0.596	0.58	1.176	0.998	1.177	0.982	0.898	0.897
SS2PCT-2238-360	22D Socket	0.03	0.893	0.741	0.734	0.933	0.932	0.726	0.71	1.306	1.128	1.307	1.112	1.028	1.027
SS2PCT-2239-360	22D Socket	0.02	0.169	0.209	0.202	0.401	0.4	0.194	0.178	0.774	0.596	0.775	0.58	0.496	0.495
SS2PCT-2240-360	22D Socket	0.019	0.131	NONE	NONE	0.123	0.122	NONE	NONE	NONE	NONE	0.497	0.302	NONE	NONE
SS2PCT-2241-360	22D Socket	0.029	0.157	0.24	0.233	0.432	0.431	0.225	0.209	0.805	0.627	0.806	0.611	0.527	0.526
SS2PCT-2243-360	22D Socket	0.019	0.157	0.215	0.208	0.407	0.406	0.2	0.184	0.78	0.602	0.781	0.586	0.502	0.501
SS2PCT-2244-360	22D Socket	0.02	0.18	0.18	0.173	0.372	0.371	0.165	0.149	0.745	0.567	0.746	0.551	0.467	0.466
SS2PCT-2245-360	22D Socket	0.02	0.121	0.185	0.178	0.377	0.376	0.17	0.154	0.75	0.572	0.751	0.556	0.472	0.471
SS2PCT-2246-360	22D Socket	0.019	0.094	0.094	0.087	0.286	0.285	0.079	0.063	0.659	0.481	0.66	0.465	0.381	0.38
SS2PCT-2247-360	22D Socket	0.025	0.329	0.408	0.401	0.6	0.599	0.393	0.377	0.973	0.795	0.974	0.779	0.695	0.694
SS2PCT-2248-360	22D Socket	0.032	0.4	0.419	0.412	0.611	0.61	0.404	0.388	0.984	0.806	0.985	0.79	0.706	0.705
SS2PCT-2249-360	22D Socket	0.022	0.17	0.267	0.26	0.459	0.458	0.252	0.236	0.832	0.654	0.833	0.638	0.554	0.553
SS3PCT-2250-360	22D Socket	0.019	0.544	0.481	0.474	0.673	0.672	0.466	0.45	1.046	0.868	1.047	0.852	0.768	0.767
SS2PCT-2251-360	22D Socket	0.019	0.236	0.419	0.412	0.611	0.61	0.404	0.388	0.984	0.806	0.985	0.79	0.706	0.705
SS2PCT-2252-360	22D Socket	0.019	0.205	0.747	0.74	0.939	0.938	0.732	0.716	1.312	1.134	1.313	1.118	1.034	1.033
SS3PCT-2253-360	22D Socket	0.019	0.5	0.615	0.608	0.807	0.806	0.6	0.584	1.18	1.002	1.181	0.986	0.902	0.901
SS2PCT-2254-360	22D Socket	0.025	0.145	0.281	0.274	0.473	0.472	0.266	0.25	0.846	0.668	0.847	0.652	0.568	0.567
SS3PCT-2255-360	22D Socket	0.025	0.445	0.583	0.576	0.775	0.774	0.568	0.552	1.148	0.97	1.149	0.954	0.87	0.869
SS2PCT-2256-360	22D Socket	0.025	0.345	0.483	0.476	0.675	0.674	0.468	0.452	1.048	0.87	1.049	0.854	0.77	0.769
SS2PCT-2257-360	22D Socket	0.029	0.118	0.364	0.357	0.556	0.555	0.349	0.333	0.929	0.751	0.93	0.735	0.651	0.65
SS3PCT-2258-360	22D Socket	0.025	0.545	0.679	0.672	0.871	0.87	0.664	0.648	1.244	1.066	1.245	1.05	0.966	0.965
SS3PCT-2259-360	22D Socket	0.031	0.762	0.611	0.604	0.803	0.802	0.596	0.58	1.176	0.998	1.177	0.982	0.898	0.897
SS3PCT-2260-360	22D Socket	0.025	0.515	0.279	0.272	0.471	0.47	0.264	0.248	0.844	0.666	0.845	0.65	0.566	0.565

Milnec Part Number M30929 Derivative	Contact Size & Type	PCB Tail		CONTACT EXTENSION FROM AMPHENOL REAR ±.003						CONTACT EXTENSION FROM FLANGE ±.003					
		O.D.	Length	MS27466 & MS27652	MS27515, MS27654, MS27656	MS27596	MS27505	MS27568 Shells 9-17	MS27468 Shells 19-25	MS27466 & MS27652	MS27515, MS27654, MS27656	MS27596	MS27505	MS27568 Shells 9-17	MS27468 Shells 19-25
		±.001	±.001												
SS2PCT-2261-360	22D Socket	0.03	0.148	0.338	0.331	0.53	0.529	0.323	0.307	0.903	0.725	0.904	0.709	0.625	0.624
SS2PCT-2262-360	22D Socket	0.025	0.137	0.308	0.301	0.5	0.499	0.293	0.277	0.873	0.695	0.874	0.679	0.595	0.594
SS2PCT-2263-360	22D Socket	0.019	0.251	0.571	0.564	0.763	0.762	0.556	0.54	1.136	0.958	1.137	0.942	0.858	0.857
SS2PCT-2264-360	22D Socket	0.019	0.267	0.115	0.108	0.307	0.306	0.1	0.084	0.68	0.502	0.681	0.486	0.402	0.401
SS2PCT-2265-360	22D Socket	0.019	0.41	0.419	0.412	0.611	0.61	0.404	0.388	0.984	0.806	0.985	0.79	0.706	0.705
SS2PCT-2266-360	22D Socket	0.019	0.345	0.195	0.188	0.387	0.386	0.18	0.164	0.76	0.582	0.761	0.566	0.482	0.481
SS2PCT-2267-360	22D Socket	0.019	0.43	0.28	0.273	0.472	0.471	0.265	0.249	0.845	0.667	0.846	0.651	0.567	0.566
SS2PCT-2268-360	22D Socket	0.019	0.152	NONE	NONE	0.172	0.171	NONE	NONE	NONE	NONE	0.546	0.351	NONE	NONE
SS2PCT-2269-360	22D Socket	0.019	0.157	NONE	NONE	0.062	0.061	NONE	NONE	NONE	NONE	0.436	0.241	NONE	NONE
SS2PCT-2270-360	22D Socket	0.019	0.165	0.337	0.33	0.529	0.528	0.322	0.306	0.902	0.724	0.903	0.708	0.624	0.623
SS2PCT-2271-360	22D Socket	0.025	0.63	0.766	0.759	0.958	0.957	0.751	0.735	1.331	1.153	1.332	1.137	1.053	1.052
SS3PCT-2272-360	22D Socket	0.019	0.769	0.618	0.611	0.81	0.809	0.603	0.587	1.183	1.005	1.184	0.989	0.905	0.904
SS3PCT-2273-360	22D Socket	0.019	0.509	0.262	0.255	0.454	0.453	0.247	0.231	0.827	0.649	0.828	0.633	0.549	0.548
SS2PCT-2274-360	22D Socket	0.019	0.13	NONE	NONE	0.235	0.234	NONE	NONE	NONE	NONE	0.609	0.414	NONE	NONE
SS2PCT-2275-360	22D Socket	0.019	0.2	0.268	0.261	0.46	0.459	0.253	0.237	0.833	0.655	0.834	0.639	0.555	0.554
SS2PCT-2276-360	22D Socket	0.019	0.36	0.373	0.366	0.565	0.564	0.358	0.342	0.938	0.76	0.939	0.744	0.66	0.659
SS2PCT-2278-360	22D Socket	0.019	0.24	0.259	0.252	0.451	0.45	0.244	0.228	0.824	0.646	0.825	0.63	0.546	0.545
SS2PCT-2279-360	22D Socket	0.026	0.182	0.163	0.156	0.355	0.354	0.148	0.132	0.728	0.55	0.729	0.534	0.45	0.449
SS3PCT-2280-360	22D Socket	0.019	0.578	0.511	0.504	0.703	0.702	0.496	0.48	1.076	0.898	1.077	0.882	0.798	0.797
SS3PCT-2281-360	22D Socket	0.019	0.522	0.455	0.448	0.647	0.646	0.44	0.424	1.02	0.842	1.021	0.826	0.742	0.741
SS2PCT-2282-360	22D Socket	0.019	0.24	0.235	0.228	0.427	0.426	0.22	0.204	0.8	0.622	0.801	0.606	0.522	0.521
SS2PCT-2283-360	22D Socket	0.019	0.407	0.252	0.245	0.444	0.443	0.237	0.221	0.817	0.639	0.818	0.623	0.539	0.538
SS2PCT-2284-360	22D Socket	0.019	0.205	NONE	NONE	0.232	0.231	NONE	NONE	NONE	NONE	0.606	0.411	NONE	NONE
SS2PCT-2285-360	22D Socket	0.019	0.205	0.89	0.883	1.082	1.081	0.875	0.859	1.455	1.277	1.456	1.261	1.177	1.176
SS2PCT-2286-360	22D Socket	0.019	0.324	1.247	1.24	1.439	1.438	1.232	1.216	1.812	1.634	1.813	1.618	1.534	1.533
SS2PCT-2287-360	22D Socket	0.019	0.411	0.256	0.249	0.448	0.447	0.241	0.225	0.821	0.643	0.822	0.627	0.543	0.542
SS2PCT-2288-360	22D Socket	0.019	0.24	0.235	0.228	0.427	0.426	0.22	0.204	0.8	0.622	0.801	0.606	0.522	0.521
SS3PCT-2289-360	22D Socket	0.019	0.513	0.993	0.986	1.185	1.184	0.978	0.962	1.558	1.38	1.559	1.364	1.28	1.279
SS2PCT-2290-360	22D Socket	0.019	0.14	NONE	NONE	0.137	0.136	NONE	NONE	NONE	NONE	0.511	0.316	NONE	NONE
SS2PCT-2291-360	22D Socket	0.019	0.2	0.075	0.068	0.267	0.266	0.06	0.044	0.64	0.462	0.641	0.446	0.362	0.361
SS2PCT-2292-360	22D Socket	0.019	0.22	NONE	NONE	0.102	0.101	NONE	NONE	NONE	NONE	0.476	0.281	NONE	NONE
SS2PCT-2293-360	22D Socket	0.019	0.643	0.29	0.283	0.482	0.481	0.275	0.259	0.855	0.677	0.856	0.661	0.577	0.576
SS2PCT-2294-360	22D Socket	0.019	0.292	0.225	0.218	0.417	0.416	0.21	0.194	0.79	0.612	0.791	0.596	0.512	0.511
SS2PCT-2295-360	22D Socket	0.019	0.254	0.219	0.212	0.411	0.41	0.204	0.188	0.784	0.606	0.785	0.59	0.506	0.505
SS2PCT-2296-360	22D Socket	0.019	0.086	0.163	0.156	0.355	0.354	0.148	0.132	0.728	0.55	0.729	0.534	0.45	0.449
SS2PCT-2297-360	22D Socket	0.019	0.35	0.192	0.185	0.384	0.383	0.177	0.161	0.757	0.579	0.758	0.563	0.479	0.478
SS2PCT-2298-360	22D Socket	0.019	0.467	0.4	0.393	0.592	0.591	0.385	0.369	0.965	0.787	0.966	0.771	0.687	0.686
SS2PCT-2299-360	22D Socket	0.019	0.29	0.06	0.053	0.252	0.251	0.045	NONE	0.625	0.447	0.626	0.431	0.347	NONE
SS2PCT-2253B-360	22D Socket	0.03	0.25	0.262	0.255	0.454	0.453	0.247	0.231	0.827	0.649	0.828	0.633	0.549	0.548
SS2PCT-2254B-360	22D Socket	0.031	0.197	0.207	0.2	0.399	0.398	0.192	0.176	0.772	0.594	0.773	0.578	0.494	0.493
SS2PCT-2255B-360	22D Socket	0.019	0.17	0.325	0.318	0.517	0.516	0.31	0.294	0.89	0.712	0.891	0.696	0.612	0.611
SS2PCT-2256B-360	22D Socket	0.019	0.256	0.401	0.394	0.593	0.592	0.386	0.37	0.966	0.788	0.967	0.772	0.688	0.687
SS2PCT-2257B-360	22D Socket	0.019	0.31	0.305	0.298	0.497	0.496	0.39	0.274	0.87	0.692	0.871	0.676	0.692	0.591
SS2PCT-2258B-360	22D Socket	0.019	0.148	0.083	0.076	0.275	0.274	0.068	0.052	0.648	0.47	0.649	0.454	0.37	0.369
SS2PCT-2259B-360	22D Socket	0.019	0.45	0.186	0.179	0.378	0.377	0.171	0.155	0.751	0.573	0.752	0.557	0.473	0.472
SS2PCT-2260B-360	22D Socket	0.019	0.47	0.315	0.308	0.507	0.506	0.3	0.284	0.88	0.702	0.881	0.686	0.602	0.601
SS2PCT-2261B-360	22D Socket	0.019	0.285	0.305	0.298	0.497	0.496	0.29	0.274	0.87	0.692	0.871	0.676	0.592	0.591
SS2PCT-2262B-360	22D Socket	0.019	0.285	0.299	0.292	0.491	0.49	0.284	0.268	0.864	0.686	0.865	0.67	0.586	0.585
SS2PCT-2263B-360	22D Socket	0.019	0.265	0.198	0.191	0.39	0.389	0.183	0.167	0.763	0.585	0.764	0.569	0.485	0.484
SS2PCT-2264B-360	22D Socket	0.019	0.118	0.186	0.179	0.378	0.377	0.171	0.155	0.751	0.573	0.752	0.557	0.473	0.472
SS3PCT-2265B-360	22D Socket	0.019	0.492	0.426	0.419	0.618	0.617	0.411	0.395	0.991	0.813	0.992	0.797	0.713	0.712
SS3PCT-2266B-360	22D Socket	0.019	0.573	0.507	0.5	0.699	0.698	0.492	0.476	1.072	0.894	1.073	0.878	0.794	0.793
SS3PCT-2267B-360	22D Socket	0.019	0.443	0.377	0.37	0.569	0.568	0.362	0.346	0.942	0.764	0.943	0.748	0.664	0.663
SS2PCT-2268B-360	22D Socket	0.019	0.355	0.867	0.86	1.059	1.058	0.852	0.836	1.432	1.254	1.433	1.238	1.154	1.153

Milnec Part Number M30929 Derivative	Contact Size & Type	PCB Tail		CONTACT EXTENSION FROM AMPHENOL REAR ±.003						CONTACT EXTENSION FROM FLANGE ±.003					
		O.D.	Length	MS27466 & MS27652	MS27515, MS27654, MS27656	MS27596	MS27505	MS27568 Shells 9-17	MS27468 Shells 19-25	MS27466 & MS27652	MS27515, MS27654, MS27656	MS27596	MS27505	MS27568 Shells 9-17	MS27468 Shells 19-25
		±.001	±.001												
SS2PCT-2269B-360	22D Socket	0.019	0.315	0.16	0.153	0.352	0.351	0.145	0.129	0.725	0.547	0.726	0.531	0.447	0.446
SS2PCT-2270B-360	22D Socket	0.019	0.1	0.168	0.161	0.36	0.359	0.153	0.137	0.733	0.555	0.734	0.539	0.455	0.454
SS2PCT-2271B-360	22D Socket	0.019	0.285	0.285	0.278	0.477	0.476	0.27	0.254	0.85	0.672	0.851	0.656	0.572	0.571
SS2PCT-2272B-360	22D Socket	0.019	0.598	0.465	0.458	0.657	0.656	0.45	0.434	1.03	0.852	1.031	0.836	0.752	0.751
SS2PCT-2273B-360	22D Socket	0.019	0.125	NONE	NONE	0.072	0.071	NONE	NONE	NONE	NONE	0.446	0.251	NONE	NONE
SS2PCT-2274B-360	22D Socket	0.019	0.446	0.295	0.288	0.487	0.486	0.28	0.264	0.86	0.682	0.861	0.666	0.582	0.581
SS2PCT-2275B-360	22D Socket	0.019	0.465	0.31	0.303	0.502	0.501	0.295	0.279	0.875	0.697	0.876	0.681	0.597	0.596
SS2PCT-2276B-360	22D Socket	0.019	0.438	0.555	0.548	0.747	0.746	0.54	0.524	1.12	0.942	1.121	0.926	0.842	0.841
SS2PCT-2277B-360	22D Socket	0.019	0.745	1.218	1.211	1.41	1.409	1.203	1.187	1.783	1.605	1.784	1.589	1.505	1.504
SS2PCT-2278B-360	22D Socket	0.019	0.426	0.271	0.264	0.463	0.462	0.256	0.24	0.836	0.658	0.837	0.642	0.558	0.557
SS2PCT-2279B-360	22D Socket	0.019	0.391	0.324	0.317	0.516	0.515	0.309	0.293	0.889	0.711	0.89	0.695	0.611	0.61
SS2PCT-2281B-360	22D Socket	0.019	0.208	0.211	0.204	0.403	0.402	0.196	0.18	0.776	0.598	0.777	0.582	0.498	0.497
SS2PCT-2282B-360	22D Socket	0.019	0.157	0.482	0.475	0.674	0.673	0.467	0.451	1.047	0.869	1.048	0.853	0.769	0.768
SS2PCT-2283B-360	22D Socket	0.019	0.187	0.12	0.113	0.312	0.311	0.105	0.089	0.685	0.507	0.686	0.491	0.407	0.406
SS2PCT-2284B-360	22D Socket	0.019	0.316	0.126	0.119	0.318	0.317	0.111	0.095	0.691	0.513	0.692	0.497	0.413	0.412
SS2PCT-2285B-360	22D Socket	0.019	0.194	0.376	0.369	0.568	0.567	0.361	0.345	0.941	0.763	0.942	0.747	0.663	0.662
SS2PCT-2286B-360	22D Socket	0.019	0.192	0.405	0.398	0.597	0.596	0.39	0.374	0.97	0.792	0.971	0.776	0.692	0.691
SS2PCT-2287B-360	22D Socket	0.019	0.42	0.353	0.346	0.545	0.544	0.338	0.322	0.918	0.74	0.919	0.724	0.64	0.639
SS2PCT-2288B-360	22D Socket	0.019	0.122	NONE	NONE	0.149	0.148	NONE	NONE	NONE	NONE	0.523	0.328	NONE	NONE
SS2PCT-2289B-360	22D Socket	0.019	0.25	0.57	0.563	0.762	0.761	0.555	0.539	1.135	0.957	1.136	0.941	0.857	0.856
SS2PCT-2290B-360	22D Socket	0.019	0.223	0.058	0.051	0.25	0.249	0.043	NONE	0.623	0.445	0.624	0.429	0.345	NONE
SS2PCT-2291B-360	22D Socket	0.019	0.294	NONE	NONE	0.132	0.131	NONE	NONE	NONE	NONE	0.506	0.311	NONE	NONE
SS2PCT-2292B-360	22D Socket	0.019	0.394	NONE	NONE	0.232	0.231	NONE	NONE	NONE	NONE	0.606	0.411	NONE	NONE
SS2PCT-2293B-360	22D Socket	0.019	0.1	0.17	0.163	0.362	0.361	0.155	0.139	0.735	0.557	0.736	0.541	0.457	0.456
SS2PCT-2294B-360	22D Socket	0.019	0.43	0.36	0.353	0.552	0.551	0.345	0.329	0.925	0.747	0.926	0.731	0.647	0.646
SS2PCT-2295B-360	22D Socket	0.019	0.227	0.227	0.22	0.419	0.418	0.212	0.196	0.792	0.614	0.793	0.598	0.514	0.513
SS2PCT-2296B-360	22D Socket	0.019	0.295	NONE	NONE	0.197	0.196	NONE	NONE	NONE	NONE	0.571	0.376	NONE	NONE
SS2PCT-2297B-360	22D Socket	0.019	0.512	0.445	0.438	0.637	0.636	0.43	0.414	1.01	0.832	1.011	0.816	0.732	0.731
SS2PCT-2298B-360	22D Socket	0.019	0.284	0.214	0.207	0.406	0.405	0.199	0.183	0.779	0.601	0.78	0.585	0.501	0.5
SS2PCT-2299B-360	22D Socket	0.019	0.342	0.343	0.336	0.535	0.534	0.328	0.312	0.908	0.73	0.909	0.714	0.63	0.629
SS2PCT-2200-361	22M Socket	0.02	0.45	0.225	0.218	0.417	0.416	0.21	0.194	0.79	0.612	0.791	0.596	0.512	0.511
SS2PCT-2201-361	22M Socket	0.022	0.187	0.322	0.315	0.514	0.513	0.307	0.291	0.887	0.709	0.888	0.693	0.609	0.608
SS3PCT-2202-361	22M Socket	0.019	0.57	0.528	0.521	0.72	0.719	0.513	0.497	1.093	0.915	1.094	0.899	0.815	0.814
SS2PCT-2202-361	22M Socket	0.019	0.57	0.528	0.521	0.72	0.719	0.513	0.497	1.093	0.915	1.094	0.899	0.815	0.814
SS6PCT-2203-361	22M Socket	0.019	0.378	0.234	0.227	0.426	0.425	0.219	0.203	0.799	0.621	0.8	0.605	0.521	0.52
SS3PCT-2203-361	22M Socket	0.019	0.378	0.234	0.227	0.426	0.425	0.219	0.203	0.799	0.621	0.8	0.605	0.521	0.52
SS2PCT-2203-361	22M Socket	0.019	0.378	0.234	0.227	0.426	0.425	0.219	0.203	0.799	0.621	0.8	0.605	0.521	0.52
SS2PCT-2204-361	22M Socket	0.019	0.305	0.927	0.92	1.119	1.118	0.912	0.896	1.492	1.314	1.493	1.298	1.214	1.213
SS2PCT-2205-361	22M Socket	0.019	0.305	0.065	0.058	0.257	0.256	0.05	0.034	0.63	0.452	0.631	0.436	0.352	0.351
SS6PCT-2206-361	22M Socket	0.019	0.489	0.346	0.339	0.538	0.537	0.331	0.315	0.911	0.733	0.912	0.717	0.633	0.632
SS3PCT-2206-361	22M Socket	0.019	0.489	0.346	0.339	0.538	0.537	0.331	0.315	0.911	0.733	0.912	0.717	0.633	0.632
SS2PCT-2206-361	22M Socket	0.019	0.489	0.346	0.339	0.538	0.537	0.331	0.315	0.911	0.733	0.912	0.717	0.633	0.632
SS3PCT-2207-361	22M Socket	0.019	0.764	0.697	0.69	0.889	0.888	0.682	0.666	1.262	1.084	1.263	1.068	0.984	0.983
SS2PCT-2207-361	22M Socket	0.019	0.764	0.697	0.69	0.889	0.888	0.682	0.666	1.262	1.084	1.263	1.068	0.984	0.983
SS2PCT-2208-361	22M Socket	0.019	0.2	0.075	0.068	0.267	0.266	0.06	0.044	0.64	0.462	0.641	0.446	0.362	0.361
SS2PCT-2209-361	22M Socket	0.026	0.393	NONE	NONE	0.231	0.23	NONE	NONE	NONE	NONE	0.605	0.41	NONE	NONE
SS2PCT-2210-361	22M Socket	0.019	0.154	NONE	NONE	0.062	0.061	NONE	NONE	NONE	NONE	0.436	0.241	NONE	NONE
SS3PCT-2211-361	22M Socket	0.019	0.3	0.106	0.099	0.298	0.297	0.091	0.075	0.671	0.493	0.672	0.477	0.393	0.392
SS2PCT-2211-361	22M Socket	0.019	0.3	0.106	0.099	0.298	0.297	0.091	0.075	0.671	0.493	0.672	0.477	0.393	0.392
SS3PCT-2212-361	22M Socket	0.02	0.352	0.159	0.152	0.351	0.35	0.144	0.128	0.724	0.546	0.725	0.53	0.446	0.445
SS2PCT-2213-361	22M Socket	0.019	0.444	0.295	0.288	0.487	0.486	0.28	0.264	0.86	0.682	0.861	0.666	0.582	0.581
SS2PCT-2214-361	22M Socket	0.019	0.09	0.335	0.328	0.527	0.526	0.32	0.304	0.9	0.722	0.901	0.706	0.622	0.621
SS2PCT-2215-361	22M Socket	0.019	0.161	NONE	NONE	0.208	0.207	NONE	NONE	NONE	NONE	0.582	0.387	NONE	NONE
SS2PCT-2216-361	22M Socket	0.019	0.352	0.2	0.193	0.392	0.391	0.185	0.169	0.765	0.587	0.766	0.571	0.487	0.486

Milnec Part Number M30929 Derivative	Contact Size & Type	PCB Tail		CONTACT EXTENSION FROM AMPHENOL REAR ±.003						CONTACT EXTENSION FROM FLANGE ±.003					
		O.D.	Length	MS27466 & MS27652	MS27515, MS27654, MS27656	MS27596	MS27505	MS27568 Shells 9-17	MS27468 Shells 19-25	MS27466 & MS27652	MS27515, MS27654, MS27656	MS27596	MS27505	MS27568 Shells 9-17	MS27468 Shells 19-25
		±.001	±.001												
SS2PCT-2217-361	22M Socket	0.019	0.118	0.187	0.18	0.379	0.378	0.172	0.156	0.752	0.574	0.753	0.558	0.474	0.473
SS2PCT-2218-361	22M Socket	0.019	0.138	0.207	0.2	0.399	0.398	0.192	0.176	0.772	0.594	0.773	0.578	0.494	0.493
SS2PCT-2219-361	22M Socket	0.019	0.157	0.226	0.219	0.418	0.417	0.211	0.195	0.791	0.613	0.792	0.597	0.513	0.512
SS2PCT-2221-361	22M Socket	0.019	0.177	0.246	0.239	0.438	0.437	0.231	0.215	0.811	0.633	0.812	0.617	0.533	0.532
SS2PCT-2223-361	22M Socket	0.019	0.197	0.266	0.259	0.458	0.457	0.251	0.235	0.831	0.653	0.832	0.637	0.553	0.552
SS2PCT-2225-361	22M Socket	0.019	0.217	0.286	0.279	0.478	0.477	0.271	0.255	0.851	0.673	0.852	0.657	0.573	0.572
SS2PCT-2226-360	22M Socket	0.019	0.573	0.507	0.5	0.699	0.698	0.492	0.476	1.072	0.894	1.073	0.878	0.794	0.793
SS2PCT-2227-361	22M Socket	0.019	0.236	0.305	0.298	0.497	0.496	0.29	0.274	0.87	0.692	0.871	0.676	0.592	0.591
SS2PCT-2228-361	22M Socket	0.019	0.267	0.279	0.272	0.471	0.47	0.264	0.248	0.844	0.666	0.845	0.65	0.566	0.565
SS2PCT-2229-361	22M Socket	0.02	0.286	0.295	0.288	0.487	0.486	0.28	0.264	0.86	0.682	0.861	0.666	0.582	0.581
SS5PCT-2230-361	22M Socket	0.018	0.393	NONE	NONE	0.232	0.231	NONE	NONE	NONE	NONE	0.606	0.411	NONE	NONE
SS5PCT-2231-361	22M Socket	0.018	0.643	0.32	0.283	0.482	0.481	0.275	0.259	0.885	0.677	0.856	0.661	0.577	0.576
SS5PCT-2232-361	22M Socket	0.018	0.293	NONE	NONE	0.132	0.131	NONE	NONE	NONE	NONE	0.506	0.311	NONE	NONE
SS5PCT-2233-361	22M Socket	0.025	0.393	NONE	NONE	0.232	0.231	NONE	NONE	NONE	NONE	0.606	0.411	NONE	NONE
SS5PCT-2234-361	22M Socket	0.018	0.643	0.29	0.283	0.482	0.481	0.275	0.259	0.855	0.677	0.856	0.661	0.577	0.576
SS5PCT-2235-361	22M Socket	0.018	0.293	NONE	NONE	0.132	0.131	NONE	NONE	NONE	NONE	0.506	0.311	NONE	NONE
SS5PCT-2236-361	22M Socket	0.025	0.393	NONE	NONE	0.232	0.231	NONE	NONE	NONE	NONE	0.606	0.411	NONE	NONE
SS2PCT-2240-361	22M Socket	0.019	0.118	0.22	0.213	0.412	0.411	0.205	0.189	0.785	0.607	0.786	0.591	0.507	0.506
SS2PCT-2241-361	22M Socket	0.019	0.138	0.24	0.233	0.432	0.431	0.225	0.209	0.805	0.627	0.806	0.611	0.527	0.526
SS2PCT-2242-361	22M Socket	0.019	0.157	0.259	0.252	0.451	0.45	0.244	0.228	0.824	0.646	0.825	0.63	0.546	0.545
SS2PCT-2243-361	22M Socket	0.019	0.177	0.279	0.272	0.471	0.47	0.264	0.248	0.844	0.666	0.845	0.65	0.566	0.565
SS2PCT-2244-361	22M Socket	0.019	0.197	0.299	0.292	0.491	0.49	0.284	0.268	0.864	0.686	0.865	0.67	0.586	0.585
SS2PCT-2245-361	22M Socket	0.019	0.217	0.319	0.312	0.511	0.51	0.304	0.288	0.884	0.706	0.885	0.69	0.606	0.605
SS2PCT-2246-361	22M Socket	0.019	0.236	0.338	0.331	0.53	0.529	0.323	0.307	0.903	0.725	0.904	0.709	0.625	0.624
SS2PCT-2247-361	22M Socket	0.02	0.769	0.616	0.609	0.808	0.807	0.601	0.585	1.181	1.003	1.182	0.987	0.903	0.902
SS2PCT-2248-361	22M Socket	0.019	0.318	0.468	0.461	0.66	0.659	0.453	0.437	1.033	0.855	1.034	0.839	0.755	0.754
SS2PCT-2249-361	22M Socket	0.019	0.413	0.353	0.346	0.545	0.544	0.338	0.322	0.918	0.74	0.919	0.724	0.64	0.639
SS6PCT-2250-361	22M Socket	0.019	0.502	0.262	0.255	0.454	0.453	0.247	0.231	0.827	0.649	0.828	0.633	0.549	0.548
SS3PCT-2250-361	22M Socket	0.019	0.502	0.262	0.255	0.454	0.453	0.247	0.231	0.827	0.649	0.828	0.633	0.549	0.548
SS2PCT-2251-361	22M Socket	0.019	0.266	0.122	0.115	0.314	0.313	0.107	0.091	0.687	0.509	0.688	0.493	0.409	0.408
SS2PCT-2252-361	22M Socket	0.019	0.233	NONE	NONE	0.185	0.184	NONE	NONE	NONE	NONE	0.559	0.364	NONE	NONE
SS6PCT-2254-361	22M Socket	0.019	0.762	0.618	0.611	0.81	0.809	0.603	0.587	1.183	1.005	1.184	0.989	0.905	0.904
SS3PCT-2254-361	22M Socket	0.019	0.762	0.618	0.611	0.81	0.809	0.603	0.587	1.183	1.005	1.184	0.989	0.905	0.904
SS2PCT-2255-361	22M Socket	0.019	0.216	0.156	0.149	0.348	0.347	0.141	0.125	0.156	0.149	0.348	0.347	0.141	0.125
SS2PCT-2256-361	22M Socket	0.019	0.161	NONE	NONE	0.208	0.207	NONE	NONE	NONE	NONE	0.208	0.207	NONE	NONE
SS2PCT-2257-361	22M Socket	0.019	0.148	NONE	NONE	0.126	0.125	NONE	NONE	NONE	NONE	0.126	0.125	NONE	NONE
SS2PCT-2258-361	22M Socket	0.019	0.283	NONE	NONE	0.064	0.063	NONE	NONE	NONE	NONE	0.064	0.063	NONE	NONE
SS3PCT-2259-361	22M Socket	0.019	0.564	0.497	0.49	0.689	0.688	0.482	0.466	0.497	0.49	0.689	0.688	0.482	0.466
SS2PCT-2260-361	22M Socket	0.029	0.28	0.261	0.254	0.453	0.452	0.246	0.23	0.261	0.254	0.453	0.452	0.246	0.23
SS2PCT-2261-361	22M Socket	0.019	0.152	NONE	NONE	0.172	0.171	NONE	NONE	NONE	NONE	0.172	0.171	NONE	NONE
SS2PCT-2262-361	22M Socket	0.019	0.25	NONE	NONE	0.195	0.194	NONE	NONE	NONE	NONE	0.195	0.194	NONE	NONE
SS2PCT-2263-361	22M Socket	0.019	0.236	0.167	0.16	0.359	0.358	0.152	0.136	0.167	0.16	0.359	0.358	0.152	0.136
SS2PCT-2264-361	22M Socket	0.019	0.268	0.418	0.411	0.61	0.609	0.403	0.387	0.418	0.411	0.61	0.609	0.403	0.387
SS2PCT-2265-361	22M Socket	0.019	0.29	NONE	NONE	0.235	0.234	NONE	NONE	NONE	NONE	0.235	0.234	NONE	NONE
SS3PCT-2266-361	22M Socket	0.019	0.631	0.48	0.473	0.672	0.671	0.465	0.449	0.48	0.473	0.672	0.671	0.465	0.449
SS2PCT-2267-361	22M Socket	0.019	0.188	0.26	0.253	0.452	0.451	0.245	0.229	0.26	0.253	0.452	0.451	0.245	0.229
SS2PCT-2268-361	22M Socket	0.019	0.33	0.263	0.256	0.455	0.454	0.248	0.232	0.263	0.256	0.455	0.454	0.248	0.232
SS2PCT-2269-361	22M Socket	0.019	0.223	NONE	NONE	0.175	0.174	NONE	NONE	NONE	NONE	0.175	0.174	NONE	NONE
SS2PCT-2000-363	20 Socket	0.025	0.297	0.236	0.229	0.428	0.427	0.221	0.205	0.236	0.229	0.428	0.427	0.221	0.205
SS2PCT-2001-363	20 Socket	0.026	0.2	0.321	0.314	0.513	0.512	0.306	0.29	0.321	0.314	0.513	0.512	0.306	0.29
SS6PCT-2002-363	20 Socket	0.019	0.432	0.353	0.346	0.545	0.544	0.338	0.322	0.353	0.346	0.545	0.544	0.338	0.322
SS2PCT-2002-363	20 Socket	0.019	0.435	0.353	0.346	0.545	0.544	0.338	0.322	0.353	0.346	0.545	0.544	0.338	0.322
SS2PCT-2003-363	20 Socket	0.019	0.136	0.148	0.141	0.34	0.339	0.133	0.117	0.148	0.141	0.34	0.339	0.133	0.117
SS2PCT-2004-363	20 Socket	0.02	0.25	0.295	0.288	0.487	0.486	0.28	0.264	0.295	0.288	0.487	0.486	0.28	0.264

Milnec Part Number M30929 Derivative	Contact Size & Type	PCB Tail		CONTACT EXTENSION FROM AMPHENOL REAR ±.003						CONTACT EXTENSION FROM FLANGE ±.003					
		O.D.	Length	MS27466 & MS27652	MS27515, MS27654, MS27656	MS27596	MS27505	MS27568 Shells 9-17	MS27468 Shells 19-25	MS27466 & MS27652	MS27515, MS27654, MS27656	MS27596	MS27505	MS27568 Shells 9-17	MS27468 Shells 19-25
		±.001	±.001												
SS2PCT-2005-363	20 Socket	0.019	0.225	NONE	NONE	0.147	0.146	NONE	NONE	NONE	NONE	0.147	0.146	NONE	NONE
SS2PCT-2006-363	20 Socket	0.019	0.3	0.218	0.211	0.41	0.409	0.203	0.187	0.218	0.211	0.41	0.409	0.203	0.187
SS2PCT-2007-363	20 Socket	0.025	0.377	0.154	0.147	0.346	0.345	0.139	0.123	0.154	0.147	0.346	0.345	0.139	0.123
SS2PCT-2008-363	20 Socket	0.025	0.343	0.065	0.058	0.257	0.256	0.05	NONE	0.065	0.058	0.257	0.256	0.05	NONE
SS2PCT-2009-363	20 Socket	0.025	0.401	0.156	0.149	0.348	0.347	0.141	0.125	0.156	0.149	0.348	0.347	0.141	0.125
SS3PCT-2010-363	20 Socket	0.019	0.085	0.225	0.218	0.417	0.416	0.21	0.194	0.225	0.218	0.417	0.416	0.21	0.194
SS6PCT-2011-363	20 Socket	0.019	0.406	0.227	0.22	0.419	0.418	0.212	0.196	0.227	0.22	0.419	0.418	0.212	0.196
SS6PCT-2012-363	20 Socket	0.019	0.41	0.143	0.136	0.335	0.334	0.128	0.112	0.143	0.136	0.335	0.334	0.128	0.112
SS2PCT-2013-363	20 Socket	0.019	0.335	0.065	0.058	0.257	0.256	0.05	NONE	0.065	0.058	0.257	0.256	0.05	NONE
SS2PCT-2014-363	20 Socket	0.019	0.135	NONE	NONE	0.057	0.056	NONE	NONE	NONE	NONE	0.057	0.056	NONE	NONE
SS6PCT-2015-363	20 Socket	0.019	0.934	0.664	0.657	0.856	0.855	0.649	0.633	0.664	0.657	0.856	0.855	0.649	0.633
SS2PCT-2016-363	20 Socket	0.019	0.2	0.075	0.068	0.267	0.266	0.06	0.044	0.075	0.068	0.267	0.266	0.06	0.044
SS2PCT-2017-363	20 Socket	0.019	0.481	0.218	0.211	0.41	0.409	0.203	0.187	0.218	0.211	0.41	0.409	0.203	0.187
SS2PCT-2018-363	20 Socket	0.019	0.342	0.26	0.253	0.452	0.451	0.245	0.229	0.26	0.253	0.452	0.451	0.245	0.229
SS2PCT-2021-363	20 Socket	0.02	0.25	0.171	0.164	0.363	0.362	0.156	0.14	0.171	0.164	0.363	0.362	0.156	0.14
SS2PCT-2022-363	20 Socket	0.02	0.25	0.295	0.288	0.487	0.486	0.28	0.264	0.295	0.288	0.487	0.486	0.28	0.264
SS2PCT-2023-363	20 Socket	0.019	0.09	0.158	0.151	0.35	0.349	0.143	0.127	0.158	0.151	0.35	0.349	0.143	0.127
SS2PCT-2024-363	20 Socket	0.019	0.327	0.245	0.238	0.437	0.436	0.23	0.214	0.245	0.238	0.437	0.436	0.23	0.214
SS3PCT-2025-363	20 Socket	0.019	0.712	0.63	0.623	0.822	0.821	0.615	0.599	0.63	0.623	0.822	0.821	0.615	0.599
SS2PCT-2026-363	20 Socket	0.019	0.42	0.353	0.346	0.545	0.544	0.338	0.322	0.353	0.346	0.545	0.544	0.338	0.322
SS2PCT-2027-363	20 Socket	0.019	0.33	0.263	0.256	0.455	0.454	0.248	0.232	0.263	0.256	0.455	0.454	0.248	0.232
SS2PCT-2028-363	20 Socket	0.019	0.274	0.102	0.095	0.294	0.293	0.087	0.071	0.102	0.095	0.294	0.293	0.087	0.071
SS2PCT-2029-363	20 Socket	0.019	0.42	0.353	0.346	0.545	0.544	0.338	0.322	0.353	0.346	0.545	0.544	0.338	0.322
SS2PCT-2030-363	20 Socket	0.04	0.275	0.449	0.442	0.641	0.64	0.434	0.418	0.449	0.442	0.641	0.64	0.434	0.418
SS2PCT-2031-363	20 Socket	0.025	0.551	0.353	0.346	0.545	0.544	0.338	0.322	0.353	0.346	0.545	0.544	0.338	0.322
SS2PCT-2032-363	20 Socket	0.023	0.276	0.414	0.407	0.606	0.605	0.399	0.383	0.414	0.407	0.606	0.605	0.399	0.383
SS2PCT-2033-363	20 Socket	0.025	0.16	0.146	0.139	0.338	0.337	0.131	0.115	0.146	0.139	0.338	0.337	0.131	0.115
SS2PCT-2034-363	20 Socket	0.025	0.195	0.181	0.174	0.373	0.372	0.166	0.15	0.181	0.174	0.373	0.372	0.166	0.15
SS2PCT-2035-363	20 Socket	0.025	0.317	0.265	0.258	0.457	0.456	0.25	0.234	0.265	0.258	0.457	0.456	0.25	0.234
SS3PCT-2036-363	20 Socket	0.019	0.638	0.561	0.554	0.753	0.752	0.546	0.53	0.561	0.554	0.753	0.752	0.546	0.53
SS2PCT-2037-363	20 Socket	0.019	0.378	0.231	0.224	0.423	0.422	0.216	0.2	0.231	0.224	0.423	0.422	0.216	0.2
SS2PCT-2038-363	20 Socket	0.019	0.502	0.347	0.34	0.539	0.538	0.332	0.316	0.347	0.34	0.539	0.538	0.332	0.316
SS2PCT-2039-363	20 Socket	0.03	0.136	0.148	0.141	0.34	0.339	0.133	0.117	0.148	0.141	0.34	0.339	0.133	0.117
SS2PCT-2040-363	20 Socket	0.019	0.635	0.56	0.553	0.752	0.751	0.545	0.529	0.56	0.553	0.752	0.751	0.545	0.529
SS2PCT-2041-363	20 Socket	0.019	0.153	0.373	0.366	0.568	0.564	0.358	0.342	0.373	0.366	0.568	0.564	0.358	0.342
SS3PCT-2042-363	20 Socket	0.019	0.927	0.866	0.859	1.058	1.057	0.851	0.835	0.866	0.859	1.058	1.057	0.851	0.835
SS2PCT-2043-363	20 Socket	0.028	0.12	0.301	0.294	0.493	0.492	0.286	0.27	0.301	0.294	0.493	0.492	0.286	0.27
SS2PCT-2044-363	20 Socket	0.019	0.299	0.12	0.113	0.312	0.311	0.105	0.089	0.12	0.113	0.312	0.311	0.105	0.089
SS2PCT-2045-363	20 Socket	0.019	0.43	0.229	0.222	0.421	0.42	0.214	0.198	0.229	0.222	0.421	0.42	0.214	0.198
SS2PCT-2046-363	20 Socket	0.019	0.253	NONE	NONE	0.175	0.174	NONE	NONE	NONE	NONE	0.175	0.174	NONE	NONE
SS2PCT-2047-363	20 Socket	0.019	0.397	0.215	0.208	0.407	0.406	0.2	0.184	0.215	0.208	0.407	0.406	0.2	0.184
SS2PCT-2048-363	20 Socket	0.019	0.377	0.295	0.288	0.487	0.486	0.28	0.264	0.295	0.288	0.487	0.486	0.28	0.264
SS2PCT-2049-363	20 Socket	0.019	0.351	0.275	0.268	0.467	0.466	0.26	0.244	0.275	0.268	0.467	0.466	0.26	0.244
SS3PCT-2050-363	20 Socket	0.025	0.948	0.725	0.718	0.917	0.916	0.71	0.694	0.725	0.718	0.917	0.916	0.71	0.694
SS3PCT-2051-363	20 Socket	0.025	0.893	0.699	0.692	0.891	0.89	0.684	0.668	0.699	0.692	0.891	0.89	0.684	0.668
SS3PCT-2052-363	20 Socket	0.032	0.893	0.699	0.692	0.891	0.89	0.684	0.668	0.699	0.692	0.891	0.89	0.684	0.668
SS2PCT-2053-363	20 Socket	0.019	0.487	0.405	0.398	0.597	0.596	0.39	0.374	0.405	0.398	0.597	0.596	0.39	0.374
SS2PCT-2054-363	20 Socket	0.019	0.422	0.152	0.145	0.344	0.343	0.137	0.121	0.152	0.145	0.344	0.343	0.137	0.121
SS2PCT-2055-363	20 Socket	0.019	0.25	0.43	0.423	0.622	0.621	0.415	0.399	0.43	0.423	0.622	0.621	0.415	0.399
SS2PCT-2056-363	20 Socket	0.019	0.275	NONE	NONE	0.222	0.221	NONE	NONE	NONE	NONE	0.222	0.221	NONE	NONE
SS2PCT-2057-363	20 Socket	0.019	0.269	0.187	0.18	0.379	0.378	0.172	0.156	0.187	0.18	0.379	0.378	0.172	0.156
SS2PCT-2058-363	20 Socket	0.019	0.242	NONE	NONE	0.187	0.186	NONE	NONE	NONE	NONE	0.561	0.366	NONE	NONE
SS2PCT-2059-363	20 Socket	0.019	0.444	0.377	0.37	0.569	0.568	0.362	0.346	0.942	0.764	0.943	0.748	0.664	0.663
SS3PCT-2060-363	20 Socket	0.025	0.118	0.187	0.18	0.379	0.378	0.172	0.156	0.752	0.574	0.753	0.558	0.474	0.473

Milnec Part Number M30929 Derivative	Contact Size & Type	PCB Tail		CONTACT EXTENSION FROM AMPHENOL REAR ±.003						CONTACT EXTENSION FROM FLANGE ±.003					
		O.D.	Length	MS27466 & MS27652	MS27515, MS27654, MS27656	MS27596	MS27505	MS27568 Shells 9-17	MS27468 Shells 19-25	MS27466 & MS27652	MS27515, MS27654, MS27656	MS27596	MS27505	MS27568 Shells 9-17	MS27468 Shells 19-25
		±.001	±.001												
SS2PCT-2061-363	20 Socket	0.025	0.138	0.207	0.2	0.399	0.398	0.192	0.176	0.772	0.594	0.773	0.578	0.494	0.493
SS2PCT-2062-363	20 Socket	0.025	0.157	0.226	0.219	0.418	0.417	0.211	0.195	0.791	0.613	0.792	0.597	0.513	0.512
SS2PCT-2063-363	20 Socket	0.025	0.177	0.246	0.239	0.438	0.437	0.231	0.215	0.811	0.633	0.812	0.617	0.533	0.532
SS2PCT-2064-363	20 Socket	0.025	0.197	0.266	0.259	0.458	0.457	0.251	0.235	0.831	0.653	0.832	0.637	0.553	0.552
SS2PCT-2065-363	20 Socket	0.025	0.217	0.286	0.279	0.478	0.477	0.271	0.255	0.851	0.673	0.852	0.657	0.573	0.572
SS2PCT-2066-363	20 Socket	0.025	0.236	0.305	0.298	0.497	0.496	0.29	0.274	0.87	0.692	0.871	0.676	0.592	0.591
SS2PCT-2067-363	20 Socket	0.025	0.118	0.22	0.213	0.412	0.411	0.205	0.189	0.785	0.607	0.786	0.591	0.507	0.506
SS2PCT-2068-363	20 Socket	0.025	0.138	0.24	0.233	0.432	0.431	0.225	0.209	0.805	0.627	0.806	0.611	0.527	0.526
SS2PCT-2069-363	20 Socket	0.025	0.157	0.259	0.252	0.451	0.45	0.244	0.228	0.824	0.646	0.825	0.63	0.546	0.545
SS2PCT-2070-363	20 Socket	0.025	0.177	0.279	0.272	0.471	0.47	0.264	0.248	0.844	0.666	0.845	0.65	0.566	0.565
SS2PCT-2071-363	20 Socket	0.025	0.197	0.299	0.292	0.491	0.49	0.284	0.268	0.864	0.686	0.865	0.67	0.586	0.585
SS2PCT-2072-363	20 Socket	0.025	0.217	0.319	0.312	0.511	0.51	0.304	0.288	0.884	0.706	0.885	0.69	0.606	0.605
SS2PCT-2073-363	20 Socket	0.025	0.236	0.338	0.331	0.53	0.529	0.323	0.307	0.903	0.725	0.904	0.709	0.625	0.624
SS2PCT-2074-363	20 Socket	0.03	0.769	0.616	0.609	0.808	0.807	0.601	0.585	1.181	1.003	1.182	0.987	0.903	0.902
SS2PCT-2075-363	20 Socket	0.039	0.28	0.261	0.254	0.453	0.452	0.246	0.23	0.826	0.648	0.827	0.632	0.548	0.547
SS2PCT-2076-363	20 Socket	0.026	0.384	0.433	0.426	0.625	0.624	0.418	0.402	0.998	0.82	0.999	0.804	0.72	0.719
SS3PCT-2077-363	20 Socket	0.019	0.642	0.56	0.553	0.752	0.751	0.545	0.529	1.125	0.947	1.126	0.931	0.847	0.846
SS2PCT-2078-363	20 Socket	0.019	0.3	0.218	0.211	0.41	0.409	0.203	0.187	0.783	0.605	0.784	0.589	0.505	0.504
SS2PCT-2079-363	20 Socket	0.019	0.435	0.353	0.346	0.545	0.544	0.388	0.322	0.918	0.74	0.919	0.724	0.69	0.639
SS2PCT-2080-363	20 Socket	0.025	0.237	NONE	NONE	0.185	0.184	NONE	NONE	NONE	NONE	0.559	0.364	NONE	NONE
SS2PCT-2081-363	20 Socket	0.025	0.242	0.183	0.176	0.375	0.374	0.168	0.152	0.748	0.57	0.749	0.554	0.47	0.469
SS2PCT-2082-363	20 Socket	0.025	0.383	0.113	0.106	0.305	0.304	0.098	0.082	0.678	0.5	0.679	0.484	0.4	0.399
SS3PCT-2083-363	20 Socket	0.025	0.566	0.508	0.501	0.7	0.699	0.493	0.477	1.073	0.895	1.074	0.879	0.795	0.794
SS2PCT-2084-363	20 Socket	0.025	0.945	0.725	0.718	0.917	0.916	0.71	0.694	1.29	1.112	1.291	1.096	1.012	1.011
SS2PCT-2085-363	20 Socket	0.025	0.762	0.618	0.611	0.81	0.809	0.603	0.587	1.183	1.005	1.184	0.989	0.905	0.904
SS2PCT-2086-363	20 Socket	0.025	0.32	0.18	0.173	0.372	0.371	0.165	0.149	0.745	0.567	0.746	0.551	0.467	0.466
SS2PCT-2087-363	20 Socket	0.019	0.259	NONE	NONE	0.204	0.203	NONE	NONE	NONE	NONE	0.578	0.383	NONE	NONE
SS2PCT-2088-363	20 Socket	0.019	0.233	0.094	0.087	0.286	0.285	0.079	0.063	0.659	0.481	0.66	0.465	0.381	0.38
SS2PCT-2089-363	20 Socket	0.019	0.438	0.168	0.161	0.36	0.359	0.153	0.137	0.733	0.555	0.734	0.539	0.455	0.454
SS2PCT-2090-363	20 Socket	0.019	0.213	0.221	0.214	0.413	0.412	0.206	0.19	0.786	0.608	0.787	0.592	0.508	0.507
SS2PCT-2091-363	20 Socket	0.025	0.15	0.22	0.213	0.412	0.411	0.205	0.189	0.785	0.607	0.786	0.591	0.507	0.506
SS3PCT-2092-363	20 Socket	0.025	0.49	0.42	0.413	0.612	0.611	0.405	0.389	0.985	0.807	0.986	0.791	0.707	0.706
SS2PCT-2093-363	20 Socket	0.034	0.49	0.156	0.149	0.348	0.347	0.141	0.125	0.721	0.543	0.722	0.527	0.443	0.442
SS2PCT-2094-363	20 Socket	0.019	0.285	0.269	0.262	0.461	0.46	0.254	0.238	0.834	0.656	0.835	0.64	0.556	0.555
SS2PCT-2095-363	20 Socket	0.019	0.225	0.143	0.136	0.335	0.334	0.128	0.112	0.708	0.53	0.709	0.514	0.43	0.429
SS2PCT-2096-363	20 Socket	0.019	0.512	0.445	0.438	0.637	0.636	0.43	0.414	1.01	0.832	1.011	0.816	0.732	0.731
SS2PCT-2097-363	20 Socket	0.019	0.559	0.492	0.485	0.684	0.683	0.477	0.461	1.057	0.879	1.058	0.863	0.779	0.778
SS2PCT-2098-363	20 Socket	0.019	0.542	0.46	0.453	0.652	0.651	0.445	0.429	1.025	0.847	1.026	0.831	0.747	0.746
SS2PCT-2099-363	20 Socket	0.019	0.415	0.26	0.253	0.452	0.451	0.245	0.229	0.825	0.647	0.826	0.631	0.547	0.546
SS2PCT-2002E-363	20 Socket	0.019	0.09	0.17	0.163	0.362	0.361	0.155	0.139	0.735	0.557	0.736	0.541	0.457	0.456
SS2PCT-2003E-363	20 Socket	0.019	0.115	0.17	0.163	0.362	0.361	0.155	0.139	0.735	0.557	0.736	0.541	0.457	0.456
SS2PCT-2004E-363	20 Socket	0.019	0.261	0.117	0.11	0.309	0.308	0.102	0.086	0.682	0.504	0.683	0.488	0.404	0.403
SS2PCT-2005E-363	20 Socket	0.019	0.285	0.305	0.298	0.497	0.496	0.29	0.274	0.87	0.692	0.871	0.676	0.592	0.591
SS2PCT-2006E-363	20 Socket	0.019	0.271	0.321	0.314	0.513	0.512	0.306	0.29	0.886	0.708	0.887	0.692	0.608	0.607
SS2PCT-2007E-363	20 Socket	0.019	0.545	0.295	0.288	0.487	0.486	0.28	0.264	0.86	0.682	0.861	0.666	0.582	0.581
SS2PCT-2008E-363	20 Socket	0.019	0.295	0.475	0.468	0.667	0.666	0.46	0.444	1.04	0.862	1.041	0.846	0.762	0.761
SS2PCT-2010E-363	20 Socket	0.019	0.22	0.43	0.423	0.622	0.621	0.415	0.399	0.995	0.817	0.996	0.801	0.717	0.716
SS2PCT-2011E-363	20 Socket	0.019	0.095	0.64	0.633	0.832	0.831	0.625	0.609	1.205	1.027	1.206	1.011	0.927	0.926
SS2PCT-2012E-363	20 Socket	0.019	0.333	0.083	0.076	0.275	0.274	0.068	0.052	0.648	0.47	0.649	0.454	0.37	0.369
SS2PCT-2013E-363	20 Socket	0.04	0.25	0.469	0.462	0.066	0.66	0.454	0.438	1.034	0.856	0.44	0.84	0.756	0.755
SS2PCT-1600-364	16 Socket	0.062	0.548	0.354	0.347	0.546	0.545	0.339	0.323	0.919	0.741	0.92	0.725	0.641	0.64
SS2PCT-1601-364	16 Socket	0.062	0.342	0.343	0.336	0.535	0.534	0.328	0.312	0.908	0.73	0.909	0.714	0.63	0.629
SS2PCT-1602-364	16 Socket	0.062	0.307	0.065	0.058	0.257	0.256	0.05	0.034	0.63	0.452	0.631	0.436	0.352	0.351
SS2PCT-1603-364	16 Socket	0.048	0.547	0.353	0.346	0.545	0.544	0.338	0.322	0.918	0.74	0.919	0.724	0.64	0.639

Milnec Part Number M30929 Derivative	Contact Size & Type	PCB Tail		CONTACT EXTENSION FROM AMPHENOL REAR ±.003						CONTACT EXTENSION FROM FLANGE ±.003					
		O.D.	Length	MS27466 & MS27652	MS27515, MS27654, MS27656	MS27596	MS27505	MS27568 Shells 9-17	MS27468 Shells 19-25	MS27466 & MS27652	MS27515, MS27654, MS27656	MS27596	MS27505	MS27568 Shells 9-17	MS27468 Shells 19-25
		±.001	±.001												
SS2PCT-1604-364	16 Socket	0.062	0.387	0.115	0.108	0.307	0.306	0.1	0.084	0.68	0.502	0.681	0.486	0.402	0.401
SS2PCT-1605-364	16 Socket	0.057	0.118	0.364	0.357	0.556	0.555	0.349	0.333	0.929	0.751	0.93	0.735	0.651	0.65
SS2PCT-1606-364	16 Socket	0.05	0.17	0.285	0.278	0.477	0.476	0.27	0.254	0.85	0.672	0.851	0.656	0.572	0.571
SS2PCT-1607-364	16 Socket	0.062	0.752	0.609	0.602	0.801	0.8	0.594	0.578	1.174	0.996	1.175	0.98	0.896	0.895
SS2PCT-1608-364	16 Socket	0.062	0.09	0.158	0.151	0.35	0.349	0.143	0.127	0.723	0.545	0.724	0.529	0.445	0.444
SS2PCT-1609-364	16 Socket	0.062	0.548	0.453	0.446	0.645	0.644	0.438	0.422	1.018	0.84	1.019	0.824	0.74	0.739
SS2PCT-1610-364	16 Socket	0.025	0.436	0.354	0.347	0.546	0.545	0.339	0.323	0.919	0.741	0.92	0.725	0.641	0.64
SS2PCT-1611-364	16 Socket	0.025	0.165	0.146	0.139	0.338	0.337	0.131	0.115	0.711	0.533	0.712	0.517	0.433	0.432
SS2PCT-1612-364	16 Socket	0.025	0.2	0.181	0.174	0.373	0.372	0.166	0.15	0.746	0.568	0.747	0.552	0.468	0.467
SS2PCT-1613-364	16 Socket	0.025	0.238	0.219	0.212	0.411	0.41	0.204	0.188	0.784	0.606	0.785	0.59	0.506	0.505
SS2PCT-1614-364	16 Socket	0.062	0.225	NONE	NONE	0.147	0.146	NONE	NONE	NONE	NONE	0.521	0.326	NONE	NONE
SS2PCT-1615-364	16 Socket	0.062	0.254	NONE	NONE	0.204	0.203	NONE	NONE	NONE	NONE	0.578	0.383	NONE	NONE
SS2PCT-1618-364	16 Socket	0.025	0.085	0.225	0.218	0.417	0.416	0.21	0.194	0.79	0.612	0.791	0.596	0.512	0.511
SS2PCT-1620-364	16 Socket	0.04	0.548	0.261	0.254	0.453	0.452	0.246	0.23	0.826	0.648	0.827	0.632	0.548	0.547
SS2PCT-1621-364	16 Socket	0.04	0.629	0.342	0.335	0.534	0.533	0.327	0.311	0.907	0.729	0.908	0.713	0.629	0.628
SS2PCT-1630-364	16 Socket	0.035	0.135	NONE	NONE	0.15	0.149	NONE	NONE	NONE	NONE	0.524	0.329	NONE	NONE
SS2PCT-1640-364	16 Socket	0.062	0.118	0.187	0.18	0.379	0.378	0.172	0.156	0.752	0.574	0.753	0.558	0.474	0.473
SS2PCT-1641-364	16 Socket	0.062	0.138	0.207	0.2	0.399	0.398	0.192	0.176	0.772	0.594	0.773	0.578	0.494	0.493
SS2PCT-1642-364	16 Socket	0.062	0.157	0.226	0.219	0.418	0.417	0.211	0.195	0.791	0.613	0.792	0.597	0.513	0.512
SS2PCT-1643-364	16 Socket	0.062	0.177	0.246	0.239	0.438	0.437	0.231	0.215	0.811	0.633	0.812	0.617	0.533	0.532
SS2PCT-1644-364	16 Socket	0.062	0.197	0.266	0.259	0.458	0.457	0.251	0.235	0.831	0.653	0.832	0.637	0.553	0.552
SS2PCT-1645-364	16 Socket	0.062	0.217	0.286	0.279	0.478	0.477	0.271	0.255	0.851	0.673	0.852	0.657	0.573	0.572
SS2PCT-1646-364	16 Socket	0.062	0.236	0.305	0.298	0.497	0.496	0.29	0.274	0.87	0.692	0.871	0.676	0.592	0.591
SS2PCT-1647-364	16 Socket	0.062	0.118	0.22	0.213	0.412	0.411	0.205	0.189	0.785	0.607	0.786	0.591	0.507	0.506
SS2PCT-1648-364	16 Socket	0.062	0.138	0.24	0.233	0.432	0.431	0.225	0.209	0.805	0.627	0.806	0.611	0.527	0.526
SS2PCT-1649-364	16 Socket	0.062	0.157	0.259	0.252	0.451	0.45	0.244	0.228	0.824	0.646	0.825	0.63	0.546	0.545
SS2PCT-1650-364	16 Socket	0.062	0.177	0.279	0.272	0.471	0.47	0.264	0.248	0.844	0.666	0.845	0.65	0.566	0.565
SS2PCT-1651-364	16 Socket	0.062	0.197	0.299	0.292	0.491	0.49	0.284	0.268	0.864	0.686	0.865	0.67	0.586	0.585
SS2PCT-1652-364	16 Socket	0.062	0.217	0.319	0.312	0.511	0.51	0.304	0.288	0.884	0.706	0.885	0.69	0.606	0.605
SS2PCT-1653-364	16 Socket	0.062	0.236	0.338	0.331	0.53	0.529	0.323	0.307	0.903	0.725	0.904	0.709	0.625	0.624
SS2PCT-1654-364	16 Socket	0.048	0.893	0.699	0.692	0.891	0.89	0.684	0.668	1.264	1.086	1.265	1.07	0.986	0.985
SS2PCT-1655-364	16 Socket	0.06	0.769	0.616	0.609	0.808	0.807	0.601	0.585	1.181	1.003	1.182	0.987	0.903	0.902
SS2PCT-1656-364	16 Socket	0.062	0.301	0.231	0.224	0.423	0.422	0.216	0.2	0.796	0.618	0.797	0.602	0.518	0.517
SS2PCT-1657-364	16 Socket	0.062	0.434	0.268	0.261	0.46	0.459	0.253	0.237	0.833	0.655	0.834	0.639	0.555	0.554
SS2PCT-1658-364	16 Socket	0.039	0.12	0.301	0.294	0.493	0.492	0.286	0.27	0.866	0.688	0.867	0.672	0.588	0.587
SS2PCT-1659-364	16 Socket	0.062	0.28	0.283	0.276	0.475	0.474	0.268	0.252	0.848	0.67	0.849	0.654	0.57	0.569
SS2PCT-1660-364	16 Socket	0.062	0.213	0.221	0.214	0.413	0.412	0.206	0.19	0.786	0.608	0.787	0.592	0.508	0.507
SS2PCT-1661-364	16 Socket	0.062	0.413	0.227	0.22	0.419	0.418	0.212	0.196	0.792	0.614	0.793	0.598	0.514	0.513
SS2PCT-1662-364	16 Socket	0.062	0.239	0.053	0.046	0.245	0.244	0.038	0.022	0.618	0.44	0.619	0.424	0.34	0.339
SS2PCT-1663-364	16 Socket	0.062	0.428	0.241	0.234	0.433	0.432	0.226	0.21	0.806	0.628	0.807	0.612	0.528	0.527
SS2PCT-1664-364	16 Socket	0.062	0.179	NONE	NONE	0.177	0.176	NONE	NONE	NONE	NONE	0.551	0.356	NONE	NONE
SS2PCT-1665-364	16 Socket	0.062	0.653	0.459	0.452	0.651	0.65	0.444	0.428	1.024	0.846	1.025	0.83	0.746	0.745
SS2PCT-1666-364	16 Socket	0.062	0.42	0.353	0.346	0.545	0.544	0.338	0.322	0.918	0.74	0.919	0.724	0.64	0.639
SS2PCT-1667-364	16 Socket	0.062	0.33	0.263	0.256	0.455	0.454	0.248	0.232	0.828	0.65	0.829	0.634	0.55	0.549
SS2PCT-1668-364	16 Socket	0.062	0.247	0.082	0.075	0.274	0.273	0.067	0.051	0.647	0.469	0.648	0.453	0.369	0.368
SS2PCT-1669-364	16 Socket	0.062	0.502	0.347	0.34	0.539	0.538	0.332	0.316	0.912	0.734	0.913	0.718	0.634	0.633
SS2PCT-1670-364	16 Socket	0.062	0.635	0.56	0.553	0.752	0.751	0.545	0.529	1.125	0.947	1.126	0.931	0.847	0.846
SS2PCT-1671-364	16 Socket	0.062	0.267	0.075	0.068	0.267	0.266	0.06	0.044	0.64	0.462	0.641	0.446	0.362	0.361
SS2PCT-1672-364	16 Socket	0.062	0.573	0.507	0.5	0.699	0.698	0.492	0.476	1.072	0.894	1.073	0.878	0.794	0.793
SS2PCT-1673-364	16 Socket	0.062	0.25	0.43	0.423	0.622	0.621	0.415	0.399	0.995	0.817	0.996	0.801	0.717	0.716
SS2PCT-1674-364	16 Socket	0.062	0.378	0.234	0.227	0.426	0.425	0.219	0.203	0.799	0.621	0.8	0.605	0.521	0.52
SS2PCT-1675-364	16 Socket	0.062	0.315	0.16	0.153	0.352	0.351	0.145	0.129	0.725	0.547	0.726	0.531	0.447	0.446
SS2PCT-1676-364	16 Socket	0.062	0.38	0.561	0.554	0.753	0.752	0.546	0.53	1.126	0.948	1.127	0.932	0.848	0.847
SS2PCT-1677-364	16 Socket	0.062	0.45	0.295	0.288	0.487	0.486	0.28	0.264	0.86	0.682	0.861	0.666	0.582	0.581

Milnec Part Number M30929 Derivative	Contact Size & Type	PCB Tail		CONTACT EXTENSION FROM AMPHENOL REAR ±.003						CONTACT EXTENSION FROM FLANGE ±.003					
		O.D.	Length	MS27466 & MS27652	MS27515, MS27654, MS27656	MS27596	MS27505	MS27568 Shells 9-17	MS27468 Shells 19-25	MS27466 & MS27652	MS27515, MS27654, MS27656	MS27596	MS27505	MS27568 Shells 9-17	MS27468 Shells 19-25
		±.001	±.001												
SS2PCT-1678-364	16 Socket	0.062	0.322	0.13	0.123	0.322	0.321	0.115	0.099	0.695	0.517	0.696	0.501	0.417	0.416
SS2PCT-1679-364	16 Socket	0.062	0.385	NONE	NONE	0.223	0.222	NONE	NONE	NONE	NONE	0.597	0.402	NONE	NONE
SS2PCT-1680-364	16 Socket	0.062	0.522	0.378	0.371	0.57	0.569	0.363	0.347	0.943	0.765	0.944	0.749	0.665	0.664
SS2PCT-1681-364	16 Socket	0.062	0.395	0.203	0.196	0.395	0.394	0.188	0.172	0.768	0.59	0.769	0.574	0.49	0.489
SS2PCT-1682-364	16 Socket	0.062	0.301	0.236	0.229	0.428	0.427	0.221	0.205	0.801	0.623	0.802	0.607	0.523	0.522
SS2PCT-1683-364	16 Socket	0.062	0.445	0.253	0.246	0.445	0.444	0.238	0.222	0.818	0.64	0.819	0.624	0.54	0.539
SS2PCT-1684-364	16 Socket	0.062	0.852	0.792	0.785	0.984	0.983	0.777	0.761	1.357	1.179	1.358	1.163	1.079	1.078
SS2PCT-1685-364	16 Socket	0.062	0.397	0.315	0.308	0.507	0.506	0.3	0.284	0.88	0.702	0.881	0.686	0.602	0.601
SS2PCT-1686-364	16 Socket	0.062	0.945	0.725	0.718	0.917	0.916	0.71	0.694	1.29	1.112	1.291	1.096	1.012	1.011
SS2PCT-1687-364	16 Socket	0.062	0.813	0.746	0.739	0.938	0.937	0.731	0.715	1.311	1.133	1.312	1.117	1.033	1.032
SS2PCT-1688-364	16 Socket	0.062	0.512	0.445	0.438	0.637	0.636	0.43	0.414	1.01	0.832	1.011	0.816	0.732	0.731
SS2PCT-1689-364	16 Socket	0.062	0.19	0.211	0.204	0.403	0.402	0.196	0.18	0.776	0.598	0.777	0.582	0.498	0.497
SS2PCT-1690-364	16 Socket	0.054	0.138	0.156	0.149	0.348	0.347	0.141	0.125	0.721	0.543	0.722	0.527	0.443	0.442
SS2PCT-1691-364	16 Socket	0.04	0.2	0.178	0.171	0.37	0.369	0.163	0.147	0.743	0.565	0.744	0.549	0.465	0.464
SS2PCT-1692-364	16 Socket	0.062	0.25	0.469	0.462	0.661	0.66	0.454	0.438	1.034	0.856	1.035	0.84	0.756	0.755
SS2PCT-1200-365	12 Socket	0.081	0.643	0.353	0.346	0.545	0.544	0.338	0.322	0.918	0.74	0.919	0.724	0.64	0.639
SS2PCT-1201-365	12 Socket	0.081	0.473	0.183	0.176	0.375	0.374	0.168	0.152	0.748	0.57	0.749	0.554	0.47	0.469
SS2PCT-1202-365	12 Socket	0.081	0.243	NONE	NONE	0.145	0.144	NONE	NONE	NONE	NONE	0.519	0.324	NONE	NONE
SS2PCT-1203-365	12 Socket	0.081	0.523	0.233	0.226	0.425	0.424	0.218	0.202	0.798	0.62	0.799	0.604	0.52	0.519
SS2PCT-1204-365	12 Socket	0.081	0.157	0.216	0.209	0.408	0.407	0.201	0.185	0.781	0.603	0.782	0.587	0.503	0.502
SS2PCT-1205-365	12 Socket	0.081	0.213	0.34	0.333	0.532	0.531	0.325	0.309	0.905	0.727	0.906	0.711	0.627	0.626
SS2PCT-1206-365	12 Socket	0.081	0.244	0.301	0.294	0.493	0.492	0.286	0.27	0.866	0.688	0.867	0.672	0.588	0.587
SS2PCT-1207-365	12 Socket	0.081	0.88	0.585	0.578	0.777	0.776	0.57	0.554	1.15	0.972	1.151	0.956	0.872	0.871
SS2PCT-1208-365	12 Socket	0.08	0.706	0.462	0.455	0.654	0.653	0.447	0.431	1.027	0.849	1.028	0.833	0.749	0.748
SS2PCT-1210-365	12 Socket	0.081	0.145	0.146	0.139	0.338	0.337	0.131	0.115	0.711	0.533	0.712	0.517	0.433	0.432
SS2PCT-1211-365	12 Socket	0.081	0.18	0.181	0.174	0.373	0.372	0.166	0.15	0.746	0.568	0.747	0.552	0.468	0.467
SS2PCT-1230-365	12 Socket	0.081	0.3	0.526	0.519	0.718	0.717	0.511	0.495	1.091	0.913	1.092	0.897	0.813	0.812
SS2PCT-1231-365	12 Socket	0.081	0.59	0.598	0.591	0.79	0.789	0.583	0.567	1.163	0.985	1.164	0.969	0.885	0.884
SS2PCT-1240-365	12 Socket	0.081	0.118	0.187	0.18	0.379	0.378	0.172	0.156	0.752	0.574	0.753	0.558	0.474	0.473
SS2PCT-1241-365	12 Socket	0.081	0.138	0.207	0.2	0.399	0.398	0.192	0.176	0.772	0.594	0.773	0.578	0.494	0.493
SS2PCT-1242-365	12 Socket	0.081	0.157	0.226	0.219	0.418	0.417	0.211	0.195	0.791	0.613	0.792	0.597	0.513	0.512
SS2PCT-1243-365	12 Socket	0.081	0.177	0.246	0.239	0.438	0.437	0.231	0.215	0.811	0.633	0.812	0.617	0.533	0.532
SS2PCT-1244-365	12 Socket	0.081	0.197	0.266	0.259	0.458	0.457	0.251	0.235	0.831	0.653	0.832	0.637	0.553	0.552
SS2PCT-1245-365	12 Socket	0.081	0.217	0.286	0.279	0.478	0.477	0.271	0.255	0.851	0.673	0.852	0.657	0.573	0.572
SS2PCT-1246-365	12 Socket	0.081	0.236	0.305	0.298	0.497	0.496	0.29	0.274	0.87	0.692	0.871	0.676	0.592	0.591
SS2PCT-1247-365	12 Socket	0.081	0.118	0.22	0.213	0.412	0.411	0.205	0.189	0.785	0.607	0.786	0.591	0.507	0.506
SS2PCT-1248-365	12 Socket	0.081	0.138	0.24	0.233	0.432	0.431	0.225	0.209	0.805	0.627	0.806	0.611	0.527	0.526
SS2PCT-1249-365	12 Socket	0.081	0.157	0.259	0.252	0.451	0.45	0.244	0.228	0.824	0.646	0.825	0.63	0.546	0.545
SS2PCT-1250-365	12 Socket	0.081	0.177	0.279	0.272	0.471	0.47	0.264	0.248	0.844	0.666	0.845	0.65	0.566	0.565
SS2PCT-1251-365	12 Socket	0.081	0.197	0.299	0.292	0.491	0.49	0.284	0.268	0.864	0.686	0.865	0.67	0.586	0.585
SS2PCT-1252-365	12 Socket	0.081	0.217	0.319	0.312	0.511	0.51	0.304	0.288	0.884	0.706	0.885	0.69	0.606	0.605
SS2PCT-1253-365	12 Socket	0.081	0.236	0.338	0.331	0.53	0.529	0.323	0.307	0.903	0.725	0.904	0.709	0.625	0.624
SS2PCT-1254-365	12 Socket	0.094	0.28	0.301	0.294	0.493	0.492	0.286	0.27	0.866	0.688	0.867	0.672	0.588	0.587
SS2PCT-1255-365	12 Socket	0.081	0.28	0.533	0.526	0.725	0.724	0.518	0.502	1.098	0.92	1.099	0.904	0.82	0.819
SS2PCT-1256-365	12 Socket	0.081	0.265	0.394	0.387	0.586	0.585	0.379	0.363	0.959	0.781	0.96	0.765	0.681	0.68
SS2PCT-1257-365	12 Socket	0.081	0.25	0.469	0.462	0.661	0.66	0.454	0.438	1.034	0.856	1.035	0.84	0.756	0.755