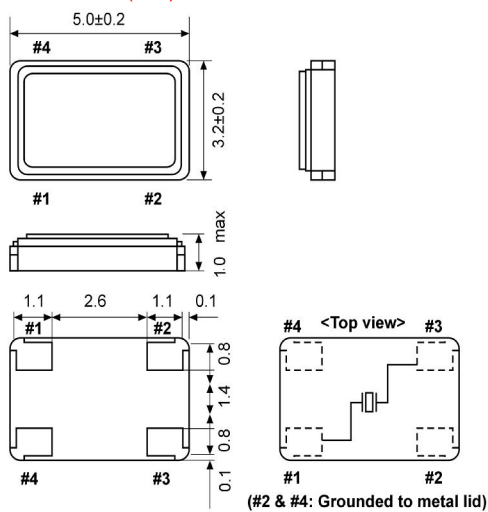


## Quartz Crystal

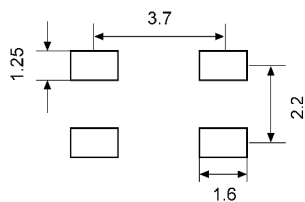
SMD-version

part no.	12.89061
model	KX – 9AT
frequency	20.0 MHz
mode	fundamental
operating temperature	-40° ~ +85°C
frequency tolerance at +25°C	±30 ppm
temperature tolerance -40° ~ +85°C	±30 ppm
load capacitance $C_L$	18 pF
series resistance R1 max.	50 Ohm
aging at 25°C (first year) max.	±2 ppm
shunt capacitance $C_O$ max.	5.0 pF
drive level max.	300 $\mu$ W
contents of reel	1000 pcs.

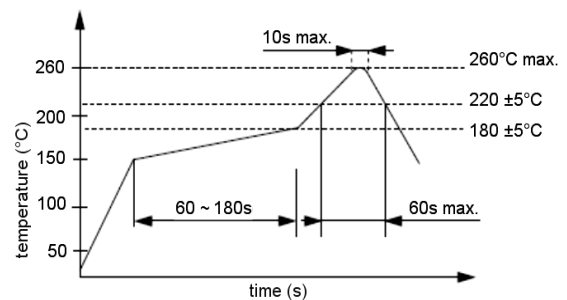
### Dimensions (mm):



### Suggested soldering pad:



### Reflow soldering condition:



### Tape specification:

