

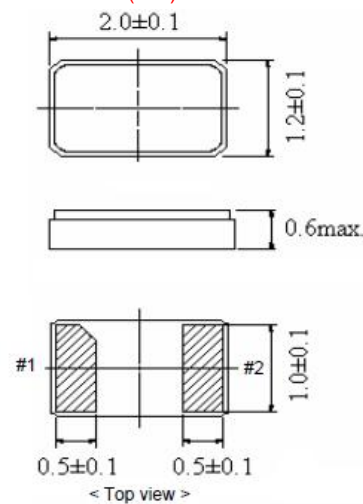


Tuning Fork Crystal

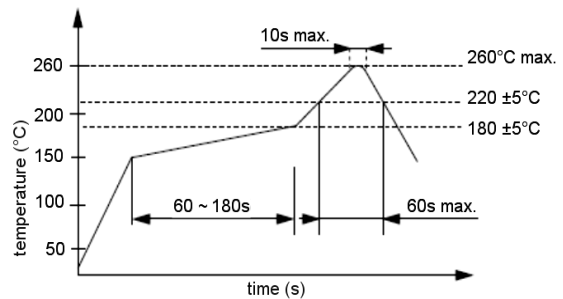
SMD-version

model	KX-327RT
frequency	32.768 kHz
operating temperature	-40° ~ +85°C
frequency tolerance (df/F) at +25°C ± 3°C	± 20 ppm
temperature tolerance (parabolic coefficient) at -40° ~ +85°C	-0.036 ppm ± 0,01/°C ² typ.
turnover temperature	+25°C ± 5°C
storage temperature range	-55°C ~ +125°C
load capacitance C _L	9,0 pF
motional capacitance(C ₁)	7.0 pF typ.
series resonance R1	60k Ohm typ., 70k Ohm max.
aging (df/F) (first year) at 25°C ± 3°C	± 5 ppm
shunt capacitance C _O	1.3 pF typ.
drive level	0.5 μW typ.
contents of reel	5000 pcs.
part no.	12.87165

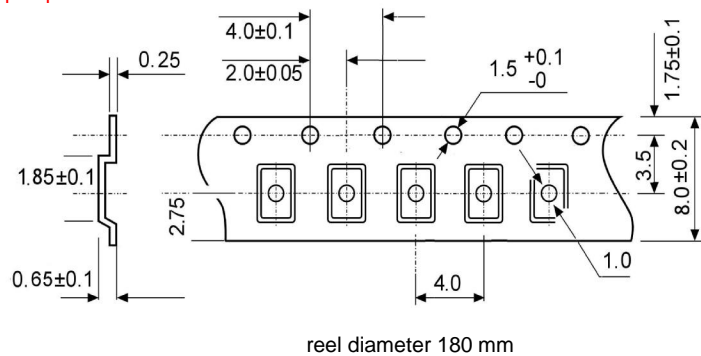
Dimensions (mm):



Reflow soldering condition:



Tape specification:



Suggested soldering pad:

