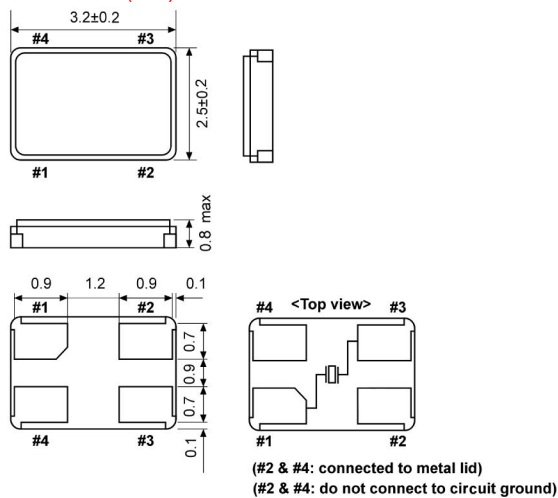


Quartz Crystal

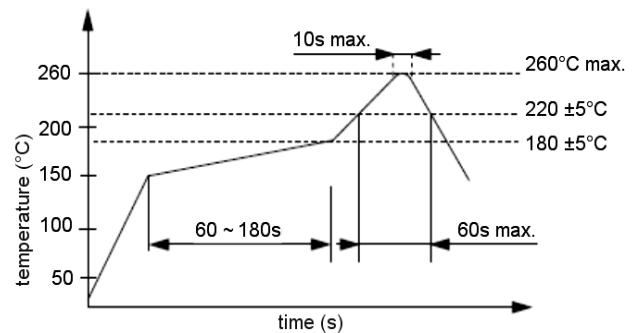
SMD-version

| | |
|-------------------------------------|---------------|
| part no. | 12.60049 |
| model | KX – 7F |
| frequency | 8.0 MHz |
| mode | fundamental |
| operating temperature | -40° ~ +125°C |
| storage temperature | -40° ~ +125°C |
| frequency tolerance at +25°C | ±30 ppm |
| temperature tolerance -40° ~ +125°C | ±50 ppm |
| load capacitance C_L | 12 pF |
| series resistance R_1 max. | 400 Ohm |
| aging at +25°C (first year) max. | ±2 ppm |
| shunt capacitance C_O max. | 3.5 pF |
| drive level max. | 200 μ W |
| AEC-Q200 | yes |
| contents of reel | 1000 pcs. |

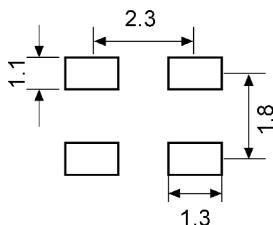
Dimensions (mm):



Reflow soldering condition:



Suggested soldering pad:



Tape specification:

