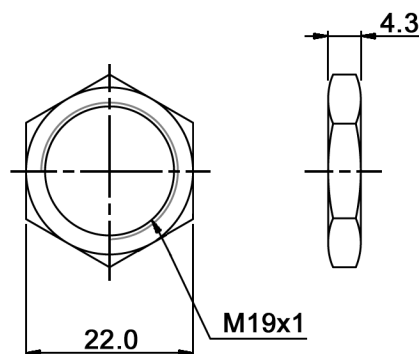


HARDWARE:



Specifications:

Contact rating: 2 A, 250 V AC; 4 A, 125 V AC
 Contact resistance: 50 mOhm max.
 Insulation resistance: 500 MOhm min.
 Dielectric strength: 1500 V, 50 Hz for the duration of 1 minute
 Operating temperature: -20°C to +70°C
 Mechanical life: min. 10 000 steps
 Switching function: SP, off - on - on (terminal connection 1-8, 1-3)
 Material: Case: brass, chromium plated
 Contacts / terminals: gold plated
 Key: brass, nickel plated

Key removable: Pos. I

Number of keys supplied: 2

Compliance: RohS III (2015/863/EU)

Tolerances: >0: ±0.1 mm >6: ±0.2 mm >30: ±0.3 mm	Date	Name
	08/20	dr

MRK 2930 N

knitter-switch

30 44 66

Page

1/1

Modifications Date Name