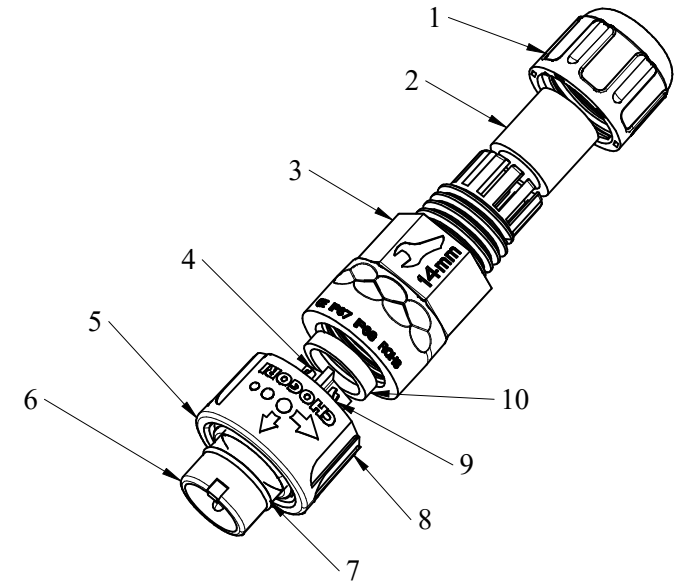
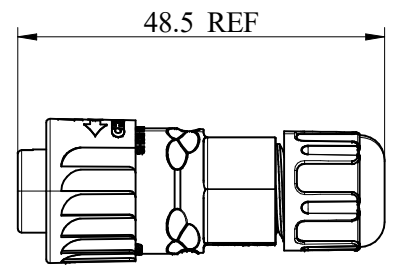
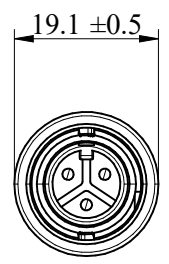


Wiring Specifications and Current Carrying Comparison Table				
Terminal Type	Wire Gauge	Wire Processing	Rated Current	Part No.
Power	18AWG	Solder	10A	ALL

CUSTOMER DRAWING

REV.	ECN&ECR No.	DESCRIPTION	DSN	DATE
C1	N/A	INITIAL DRAWING	Yuanxiao	2023/10/26

SPECIFICATION	
Rated Operating Voltage	3*300V AC
Rated Current	3*10A
Peak Current	N/A
Insulation Resistance	100MΩ at 500V DC
Withstand Voltage	2000V AC (Power)
Durability	500Cycles
IP Rating	Mated:IP67
Salt Spray	5%NaCl,48H
Flame Class	UL-94 HB
Operating Temperature	-40-105°C
Environmental Requirements	RoHS&REACH
UV Resistance Grade	N/A
Recommended Screw & Torque	N/A
Mating Part No.	22003635-03
Maximum Wiring Range	Wire OD≤6.8mm



SCALE: 2:1

Mating Interface

Cut-Out Panel Dimensions

10	Gasket	1	pcs	Silicone
9	Glue	0.5	g	Epoxy Resin
8	Sping	1	pcs	Stainless Steel
7	O-Ring	2	pcs	Silicone
6	Housing	1	pcs	Plastic
5	Push Lock	1	pcs	Plastic
4	Power Male Pin	3	pcs	Copper Alloy,Gold plating
3	Clamp Ring	1	pcs	Plastic
2	Seals Ring	1	pcs	Silicone
1	Seals Nut	1	pcs	Plastic

UNIT: mm	DESCRIPTION: Standard Series 3 Field Installable 180° Male Pin Push Type Solder
UNSPECIFIED TOLERANCE	SCALE: 1:1
GB/T 1804-m ISO 2768-1 1989-m	SHEET.1 OF 1
REV.: C1	SIZE:A4
	ASME Y14.5-2009

**CHOGORI**®  
Chogori Technology Co., Ltd

NO.	Part Name	Q'ty	Unit	Material Description
PART NO.:	22003131-01	DRAWN:	Yuanxiao	DATE: 2023/10/26
DWG NO.:	22003131-01	CHECK:	Ivan	DATE:
CUSTOMER NO.:	22003131-01	APPROVED:	陈平	DATE:

THIS INFORMATION IS CONFIDENTIAL AND IS DISCLOSED TO YOU ON CONDITION THAT NO FURTHER DISCLOSURE IS MADE BY YOU TO OTHER THAN CHOGORI PERSONNEL WITHOUT AUTHORIZATION FROM CHOGORI CORP.