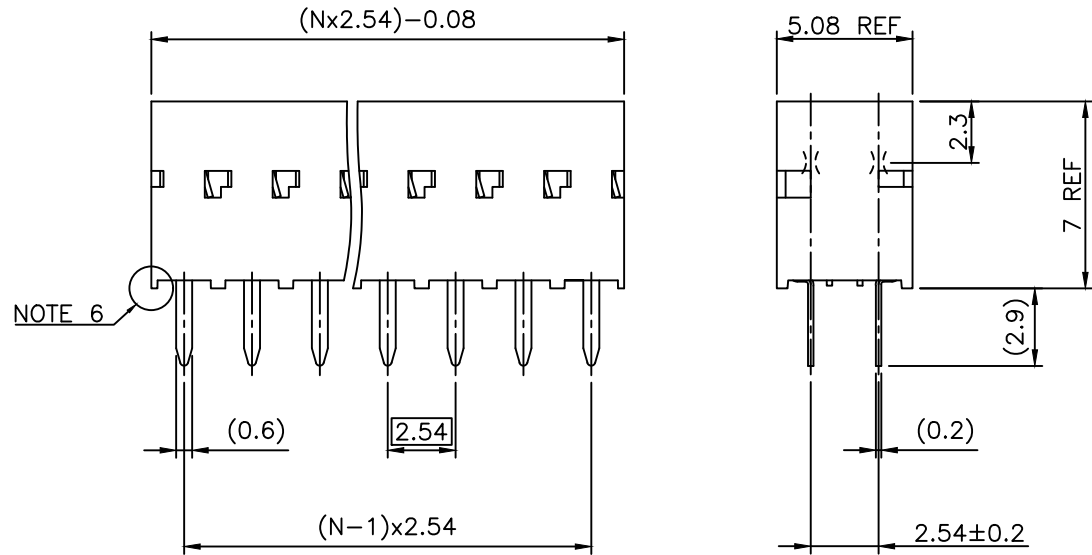
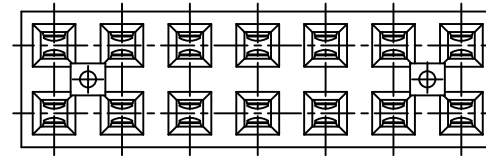


PRODUCT NUMBER
76342-YXXXLF

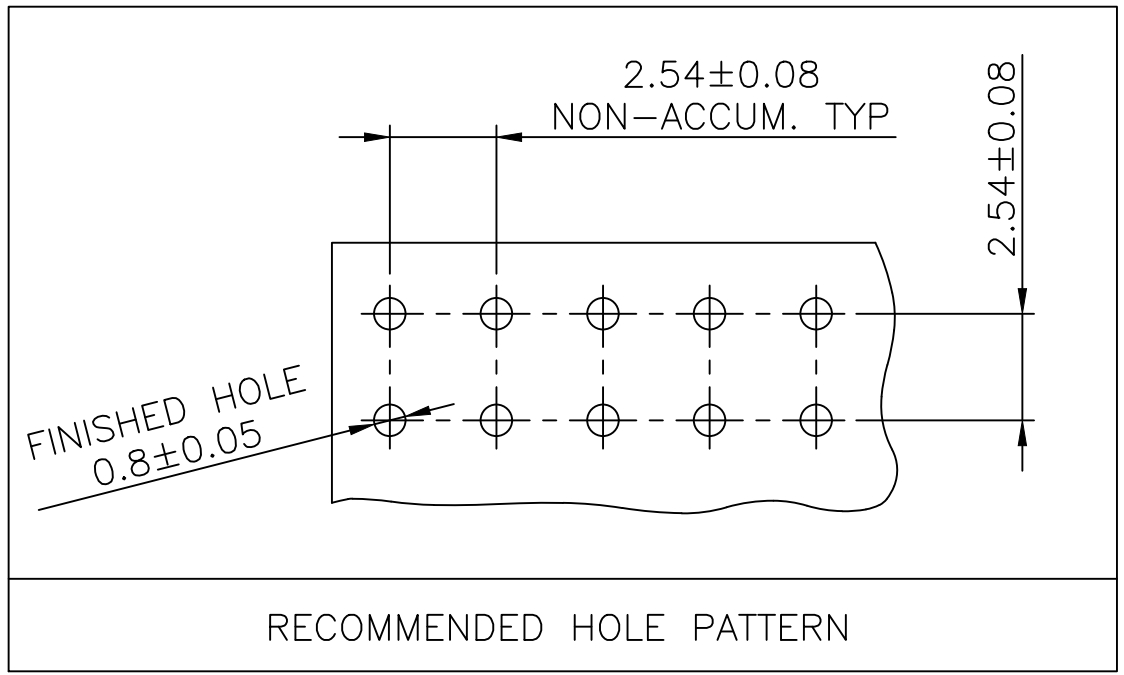
- RoHS COMPATIBLE, SEE NOTE 5
- OPTIONAL LETTER
H: HIGH TEMPERATURE PRODUCT.
C: PACKAGED IN SHORT TUBE.
VH: HIGH TEMPERATURE PRODUCT
FOR CUSTOMER DEDICATED PART
- NUMBER OF POSITIONS PER ROW: 02 TO 50.
- PLATING CODE
3= 0.76µm GOLD ON CONTACT AREA.
2µm MIN MATTE TIN ON TAIL.
4= 2µm MIN MATTE TIN FULL PLATED
1.27µm Ni MIN UNDERPLATING



NOTES:

- 1 - HOUSING MAT'L: THERMOPLASTIC GLASS FILLED FLAME RETARDANT PER UL 94 V-0
LOW TEMPERATURE: COLOR BLUE
HIGH TEMPERATURE: COLOR GREY.
- 2 - TERMINAL MATERIAL: PHOSPHOR BRONZE.
- 3 - 2 UP TO 4 POSITIONS PRODUCT PACKED IN PLASTIC BOX.
5 UP TO 50 POSITIONS PRODUCT PACKED IN TUBE.
- 4 - TO DETERMINE DIMENSIONS:
N = NUMBER OF POSITIONS PER ROW
EXAMPLE: 8 POS: (Nx2.54)-0.08=20.24 mm
- 5 - RoHS COMPATIBLE PRODUCT SPECIFICATIONS
 - a - PLATING:
- "LF" MEANS THE PRODUCT IS LEAD-FREE,
2µm MINIMUM MATTE TIN OVER 1.27µm
MINIMUM NICKEL UNDERPLATE.
 - b - MANUFACTURING PROCESS COMPATIBILITY
- THE HOUSING WILL WITHSTAND EXPOSURE TO
260°C ±5°C SOLDER BATH TEMPERATURE FOR
5 SECONDS IN A WAVE SOLDER APPLICATION
WITH A 1.6mm MIN THICK CIRCUIT BOARD.
 - c - LABELING:
- MEETS PACKAGING SPECS AS PER GS-14-920
 - d - LEGAL STATEMENT: SEE GS-47-0004
- 6 - END STAND-OFFS FOR 2x2 UP TO 2x4 POS
NO END STAND-OFFS FOR 2x5 UP TO 2x50 POS

mat'l. code		surface		tolerance		projection		product family			
SEE NOTES 1 & 2		ISO 1302 ✓		ISO 406 ISO 1101		mm		DUBOX			
ltr	ecn no	dr	date	tolerances unless otherwise specified		mm		title			
AA	F-24429	AMA	16.07.01	angles	linear	mm		BtB RECEPT. VERT DR TMT			
AB	F-49241	DDE	23.09.12	±2'		scale 5:1					
V	F06-0204	DLE	06.06.20	dr	D LEGRAND	04.09.27	FCI	dwg no			
W	F11-0043	JCO	12.02.22	enrg	P NIZZI	04.09.27		sheet 1 of 2			
X	B-19123	LMU	14.10.21	chr	D LEGRAND	04.09.27		size			
Y	B-21211	AMA	15.06.22	appd	P NZ	04.09.27		A3			
sheet	revision	AB	D							type	
index	sheet	1	2							CUSTOMER Drawing	



Copyright FCI

mat'l. code SEE SHEET 1				surface ISO 1302 <input checked="" type="checkbox"/> ISO 406 ISO 1101		tolerance ISO 406 ISO 1101		projection 		product family DUBOX	
ltr	ecn no	dr	date	tolerances unless otherwise specified		±0.3		mm		title BtB RECEPT. VERT DR TMT	
A	F04-0347	DLE	04.09.27	angles	linear			scale 5:1		dwg no 76342	
B	F06-0204	DLE	06.06.20	±2'						sheet 2 of 2	
C	B-21211	AMA	15.06.22							size A3	
D	F-49241	DDE	23.09.12	dr	D LEGRAND	04.09.27				type CUSTOMER Drawing	
				engr	P NIZZI	04.09.27					
				chr	D LE	04.09.27					
				appd	P NZ	04.09.27					
sheet index		revision sheet									