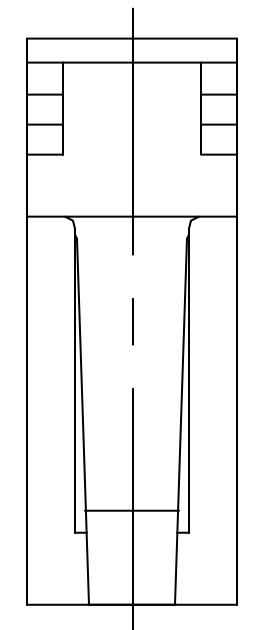
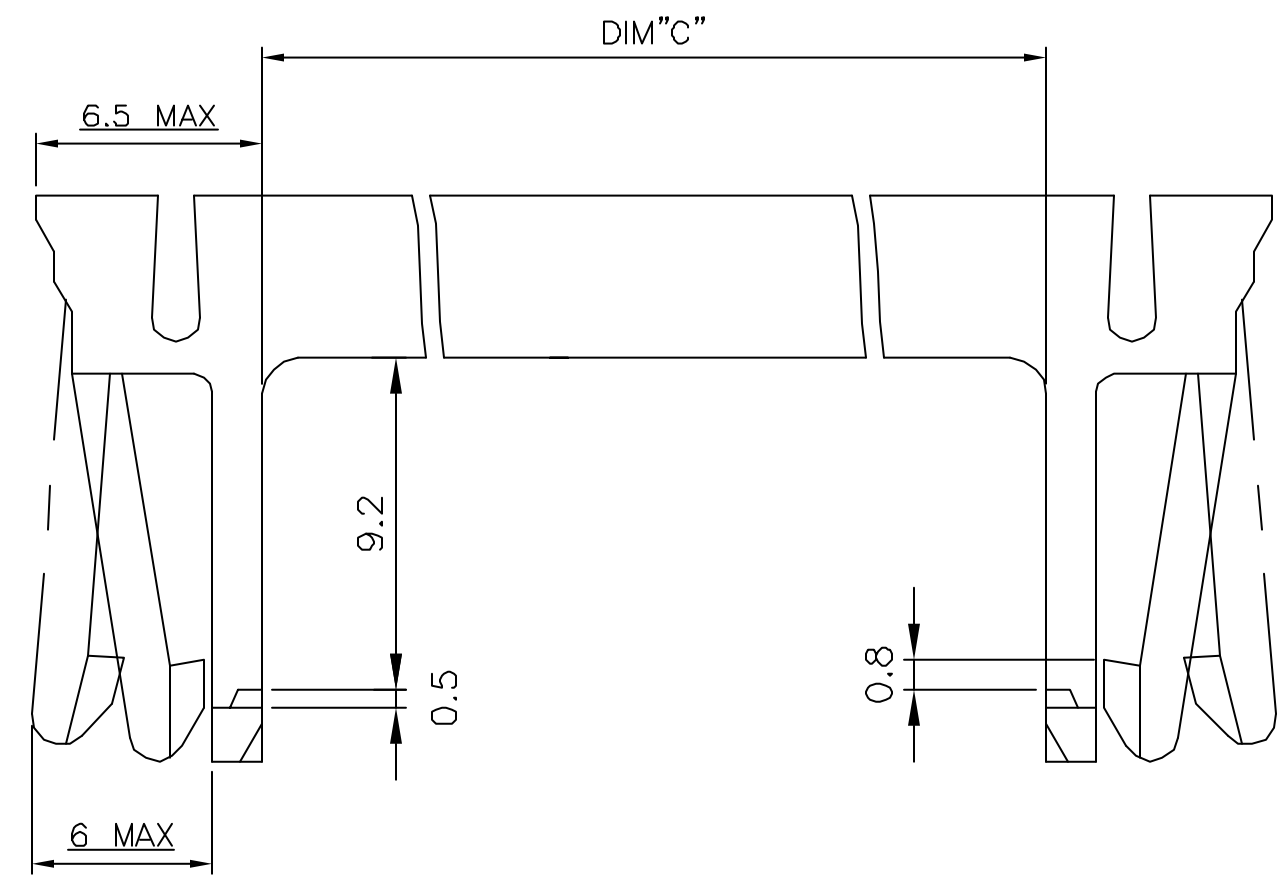
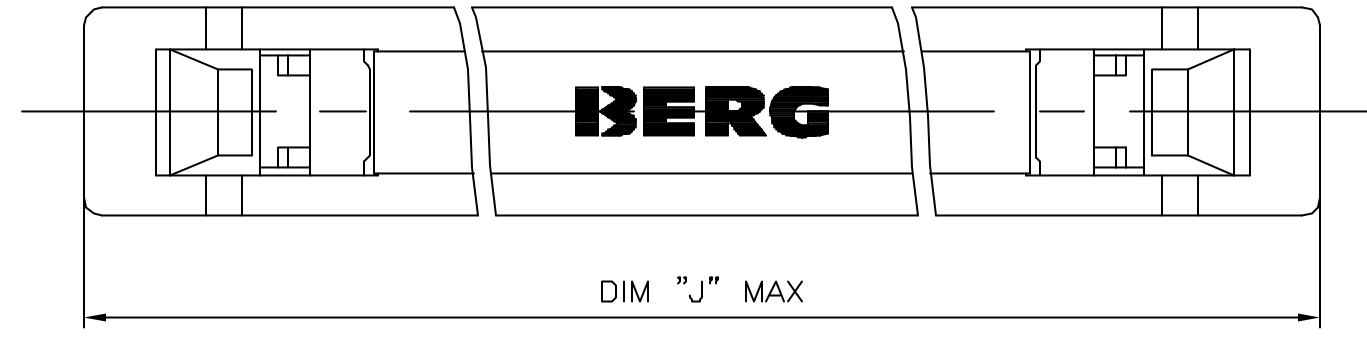


PRODUCT NUMBER
71961-OXXLF

INDICATES THE PRODUCT IS RoHS
COMPATIBLE, SEE NOTE 2

NUMBER OF POSITIONS	SIZE	DIM "C"	DIM "J" MAX
04	2x 2	6.54	20.46
06	2x 3	9.08	23.00
08	2x 4	11.62	25.54
10	2x 5	14.16	28.08
14	2x 7	19.24	33.16
16	2x 8	21.78	35.70
18	2x 9	24.32	38.24
20	2x10	26.86	40.78
26	2x13	34.48	48.40
30	2x15	39.56	53.48
34	2x17	44.64	58.56
40	2x20	52.26	66.18
44	2x22	57.34	71.26
50	2x25	64.96	78.88
60	2x30	77.66	91.58
64	2x32	82.74	96.66



NOTES:

1. MOLDING MATERIAL UNFILLED POLYESTER
FLAME RETARDANT PER UL-94-V0
COLOR GREY
2. RoHS COMPATIBLE PRODUCT
 - a - LABELLING:
- MEETS PACKAGING SPECS AS PER GS-14-920
 - b - LEGAL STATEMENT : SEE GS-22-008
 - c - THE PRODUCT IS NOT INTENDED TO BE EXPOSED
TO MANUFACTURING SOLDER PROCESS
 - d - PRODUCT MEETS WITH EU 2002/EG/95

mat'l. code		surface		tolerance		projection		product family	
SEE NOTE 1		ISO 1302 ✓		ISO 406 ISO 1101		mm		EURO QKIE FEM	
Ltr	ecn no	dr	date	tolerances unless otherwise specified		mm		title	
E	F20358	GQU	02.06.19	angles	Linear	.X ±0.3		STRAIN RELIEF LATCHING	
F	F05-0255	LMU	05.10.11			.XX ±0.15			
G	F06-0270	LMU	06.09.12			.XXX ±0.05		scale N/A	
H	F06-0274	LMU	06.09.25	dr	L.MULIN	05.10.11		dwg no	
				engr	J.COMPAGNON	05.10.11		sheet 1 of 1	
				chr				size	
				appd	JM.C	05.10.11		71961	
sheet index		revision sheet						type	
								CUSTOMER Drawing	



Copyright FCI