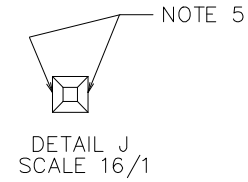
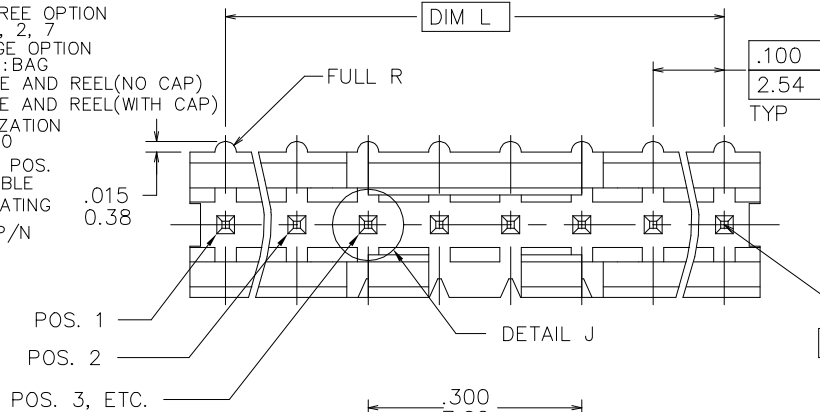
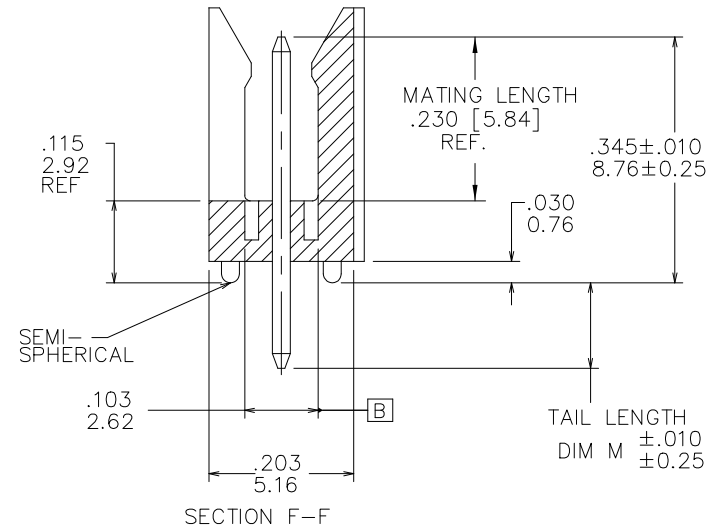
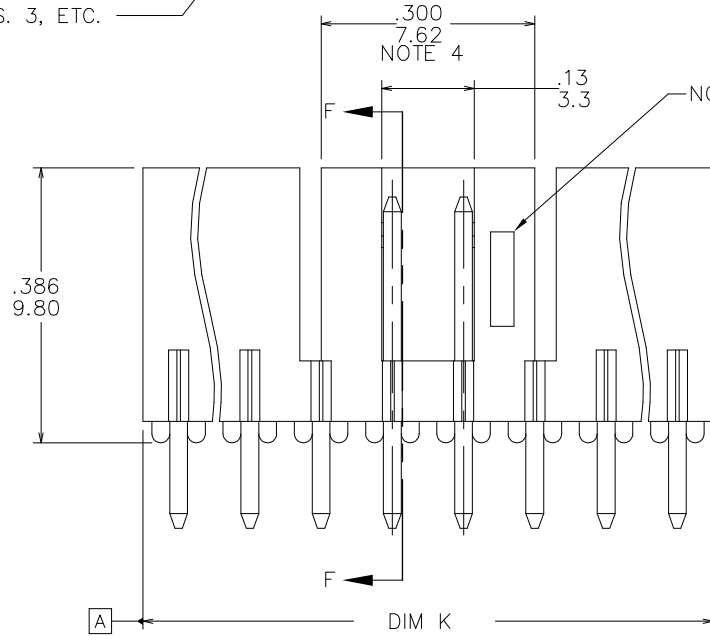


PRODUCT NUMBER  
69167-XXXXXXHLF

- LEAD FREE OPTION  
NOTE 1, 2, 7
- PACKAGE OPTION  
BLANK : BAG
- R : TAPE AND REEL (NO CAP)
- V : TAPE AND REEL (WITH CAP)
- POLARIZATION  
NOTE 10
- NO. OF POS.  
SEE TABLE
- PIN PLATING
- BASE P/N



.025/.64 □ PIN  
⊕ .020/0.51 (M) A (S) B (S)  
AT TIP  
BOTH ENDS



Amphenol FCI

© 2016 AFCI

Mat'l. code NOTES 1 & 2		surface ISD 1302 ✓		tolerance ISO 406 ISO 1101		projection inch/mm		product family	
ltr	ecn no	dr	date	tolerances unless otherwise specified		title		FRICION LATCH HEADER SINGLE ROW VERTICAL	
T	ELX-N-01896	JZ	05/31/12	angles	linear	scale 1:1		dwg no	
U	ELX-N-20592	JH	03/30/15			Amphenol FCI		sheet 1 of 3	
V	ELX-N-37212	M.Z	05/29/20	0°±2°				69167	
W	ELX-N-44959	M.X	06/06/22	dr	M.CLDUSER	11/27/90		size A3	
X	ELX-N-49432	TY	10/10/23	engr	C.TREXTLER	11/27/90		type Product Customer Drawing	
				chr	C.TREXTLER	11/27/90			
				appd	C.TREXTLER	11/27/90			
sheet index	revision sheet	W2	W2	W2					
		1	2	3					

PRODUCT NUMBER	NO OF POS	DIM K	DIM L	TAIL LENGTH DIM M
69167-X03	1 X 3	.300/7.62	.200/5.08	.120/3.05
69167-X04	1 X 4	.400/10.16	.300/7.62	.120/3.05
69167-X05	1 X 5	.500/12.70	.400/10.16	.120/3.05
69167-X06	1 X 6	.600/15.24	.500/12.70	.120/3.05
69167-X07	1 X 7	.700/17.78	.600/15.24	.120/3.05
69167-X08	1 X 8	.800/20.32	.700/17.78	.120/3.05
69167-X09	1 X 9	.900/22.86	.800/20.32	.120/3.05
69167-X10	1 X 10	1.000/25.40	.900/22.86	.120/3.05
69167-X11	1 X 11	1.100/27.94	1.000/25.40	.120/3.05
69167-X12	1 X 12	1.200/30.48	1.100/27.94	.120/3.05
69167-X13	1 X 13	1.300/33.02	1.200/30.48	.120/3.05
69167-X14	1 X 14	1.400/35.56	1.300/33.02	.120/3.05
69167-X15	1 X 15	1.500/38.10	1.400/35.56	.120/3.05
69167-X16	1 X 16	U N A	V A I L A B L E	
69167-X17	1 X 17	U N A	V A I L A B L E	
69167-X18	1 X 18	U N A	V A I L A B L E	
69167-X19	1 X 19	U N A	V A I L A B L E	
69167-X20	1 X 20	U N A	V A I L A B L E	
69167-X21	1 X 21	U N A	V A I L A B L E	
69167-X22	1 X 22	U N A	V A I L A B L E	
69167-X23	1 X 23	U N A	V A I L A B L E	
69167-X24	1 X 24	U N A	V A I L A B L E	
69167-X25	1 X 25	U N A	V A I L A B L E	
69167-X26	1 X 26	U N A	V A I L A B L E	
69167-X27	1 X 27	U N A	V A I L A B L E	
69167-X28	1 X 28	U N A	V A I L A B L E	
69167-X29	1 X 29	U N A	V A I L A B L E	
69167-X30	1 X 30	U N A	V A I L A B L E	
69167-X31	1 X 31	U N A	V A I L A B L E	
69167-X32	1 X 32	U N A	V A I L A B L E	
69167-X33	1 X 33	U N A	V A I L A B L E	
69167-X34	1 X 34	U N A	V A I L A B L E	
69167-X35	1 X 35	U N A	V A I L A B L E	
69167-X36	1 X 36	U N A	V A I L A B L E	

PIN PLATING CODES	
XXXX-1YY	30u"/0.76u MIN (SEE NOTE 8) OVER 50u"/1.27u MIN Ni
XXXX-2YY	15u"/0.38u MIN (SEE NOTE 8) OVER 50u"/1.27u MIN Ni
XXXX-3YY	50u"/1.27u MIN (SEE NOTE 8) OVER 50u"/1.27u MIN Ni
XXXX-4YY	100u"/2.54u MIN Sn OVER 50u"/1.27u MIN Ni (SEE NOTE 9)
XXXX-4YYHLF	
XXXX-5YY	15u"/0.38u MIN (SEE NOTE 8) OVER 50u"/1.27u MIN Ni
XXXX-6YY	30u"/0.76u MIN (SEE NOTE 8) OVER 50u"/1.27u MIN Ni
XXXX-7YY	30u"/0.76u MIN (SEE NOTE 8) OVER 50u"/1.27u MIN Ni
XXXX-8YY	15u"/0.38u MIN (SEE NOTE 8) OVER 50u"/1.27u MIN Ni

NOTES:

- PART NUMBER OPTIONS:  
PIN PLATING CODES (SEE ABOVE)  
LEAD FREE:  
ADD "HLF" AT THE END OF PART NUMBER FOR LEAD FREE OPTION, NOT AVAILABLE FOR -5YY, -5YYH, -6YY, -6YYH.
- BODY MATERIAL:  
GLASS REINFORCED HTN COLOR: BLACK  
FLAME RETARDANT PER UL 94 V-0  
MAXIMUM OPERATING TEMPERATURE: 130° C  
OR  
MINERAL FILLED LCP, COLOR BLACK  
FLAME RETARDANT PER UL 94 V-0  
  
PART NUMBERS WITH "H" SUFFIX WILL WITHSTAND EXPOSURE TO 260°C PEAK TEMPERATURE FOR 20 SECONDS IN WAVE SOLDER, INFRA-RED OR VAPOR PHASE SOLDER PROCESS.  
PART NUMBERS WITHOUT "H" SUFFIX WILL WITHSTAND EXPOSURE TO 260°C PEAK TEMPERATURE FOR WAVE SOLDER PROCESS.
- PIN MATERIAL: 3/4 HARD PHOS-BRONZE.
- NO SLOTS ON 1 X 5 POSITION OR SMALLER PRODUCT. THE CENTER KEY SLOT WILL BE ON ALL HEADERS REGARDLESS OF SIZE.
- TWO NON-CRITICAL SIDES OF PIN TIP NOT PLATED, BOTH ENDS
- COMPANY LOGO MAY APPEAR IN THIS AREA.
- THESE PRODUCTS MEET EUROPEAN UNION DIRECTIVES AND OTHER COUNTRY REGULATION AS DESCRIBED IN GS-22-008.
- PLATING OPTIONS:  
PERFORMANCE PLATING WILL BE EITHER GOLD OR GXT ON CONTACT OR TAIL, OPTIONALLY (78~295u"/2~7.5u) TIN ON TAIL.
- "THIS PRODUCT HAS 100% TIN PLATING IN THE INTERFACE AND HAS NOT BEEN TESTED FOR WHISKER GROWTH IN ALL INTERCONNECT ENVIRONMENTS."
- FOR POLARIZATION, SPECIFY POSITION NUMBER (i.e. A03=ROW A POSITION 03) TO OMIT PIN.  
OMIT FROM PRODUCT NUMBER IF THIS FEATURE IS NOT APPLICABLE.  
PRODUCT MANAGEMENT APPROVAL REQUIRED PRIOR TO RELEASE OR SALE OF POLARIZED PRODUCT.

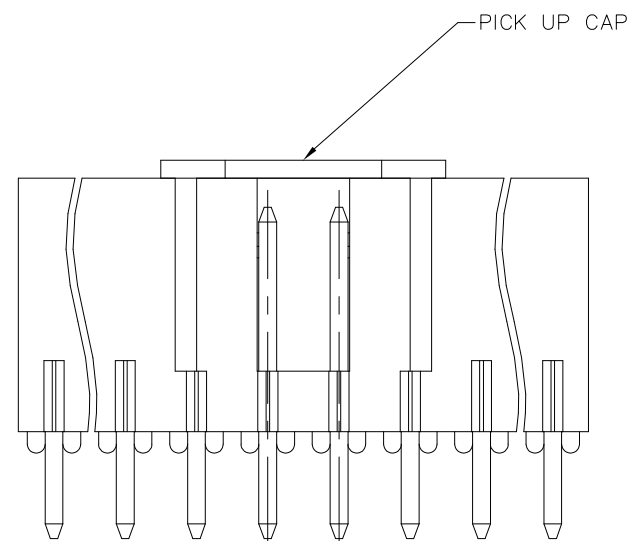
( )  
 A  
 ( )  
 B  
 ( )  
 C  
 © 2016 AFCI  
 ( )  
 D



Mat'l. code	surface	tolerance	projection	product family
NOTES 1 & 2	ISD 1302 ✓	ISO 406 ISO 1101		title
ltr	ecn no	dr	date	tolerances unless otherwise specified
x				angles linear
				0±2°
				dr M.CLDUSER 11/27/90
				enr C.TREXTLER 11/27/90
				chr C.TREXTLER 11/27/90
				appd C.TREXTLER 11/27/90
sheet index	revision sheet			

title: FRICTION LATCH HEADER SINGLE ROW VERTICAL  
 scale: 1:1  
 dwg no: 69167  
 sheet 2 of 3  
 size: A3  
 type: Product Customer Drawing

PRODUCT NUMBER	NO OF POS	DIM K	DIM L	TAIL LENGTH DIM M	POLARIZATION PIN POSITION
69167-X43	1 X 3	.300/7.62	.200/5.08	.190/4.83	
69167-X44	1 X 4	.400/10.16	.300/7.62	.190/4.83	
69167-X45	1 X 5	.500/12.70	.400/10.16	.190/4.83	
69167-X46	1 X 6	.600/15.24	.500/12.70	.190/4.83	
69167-X47	1 X 7	.700/17.78	.600/15.24	.190/4.83	
69167-X48	1 X 8	.800/20.32	.700/17.78	.190/4.83	
69167-X49	1 X 9	.900/22.86	.800/20.32	.190/4.83	
69167-X50	1 X 10	1.000/25.40	.900/22.86	.190/4.83	
69167-X51	1 X 11	1.100/27.94	1.000/25.40	.190/4.83	
69167-X52	1 X 12	1.200/30.48	1.100/27.94	.190/4.83	
69167-X53	1 X 13	1.300/33.02	1.200/30.48	.190/4.83	
69167-X54	1 X 14	1.400/35.56	1.300/33.02	.190/4.83	
69167-X55	1 X 15	1.500/38.10	1.400/35.56	.190/4.83	
69167-X56	1 X 16	UNAVAILABLE			
69167-X57	1 X 17	UNAVAILABLE			
69167-X58	1 X 18	UNAVAILABLE			
69167-X59	1 X 19	UNAVAILABLE			
69167-X60	1 X 20	UNAVAILABLE			
69167-X61	1 X 21	UNAVAILABLE			
69167-X62	1 X 22	UNAVAILABLE			
69167-X63	1 X 23	UNAVAILABLE			
69167-X64	1 X 24	UNAVAILABLE			
69167-X65	1 X 25	UNAVAILABLE			
69167-X66	1 X 26	UNAVAILABLE			
69167-X67	1 X 27	UNAVAILABLE			
69167-X68	1 X 28	UNAVAILABLE			
69167-X69	1 X 29	UNAVAILABLE			
69167-X70	1 X 30	UNAVAILABLE			
69167-X71	1 X 31	UNAVAILABLE			
69167-X72	1 X 32	UNAVAILABLE			
69167-X73	1 X 33	UNAVAILABLE			
69167-X74	1 X 34	UNAVAILABLE			
69167-X75	1 X 35	UNAVAILABLE			
69167-X76	1 X 36	UNAVAILABLE			
69167-X77	1 X 10	1.000/25.40	.900/22.86	.120/3.05	2/3/5/6/8/9
69167-X78	1 X 4	.400/10.16	.300/7.62	.120/3.05	2/3
69167-X79	1 X 3	.300/7.62	0.200/5.08	.120/3.05	2
69167-X80	1 X 7	.700/17.78	0.600/15.24	.120/3.05	2/3/5/6
69167-X83	1 X 3	.300/7.62	0.200/5.08	0.165/4.19	



WITH PICK UP CAP VIEW

© 2016 AFCI  
 Amphenol FCI

Mat'l. code	surface	tolerance	projection	product family
NOTES 1 & 2	ISO 1302 ✓	ISO 406 ISO 1101		
ltr	ecn no	dr	date	tolerances unless otherwise specified
x				linear
				0±2°
				dr M.CLDUSER 11/27/90
				enr C.TREXTLER 11/27/90
				chr C.TREXTLER 11/27/90
				appd C.TREXTLER 11/27/90
sheet index	revision sheet			

title		FRICION LATCH HEADER SINGLE ROW VERTICAL	
dwg no		sheet 3 of 3	size
69167			A3
type Product Customer Drawing			