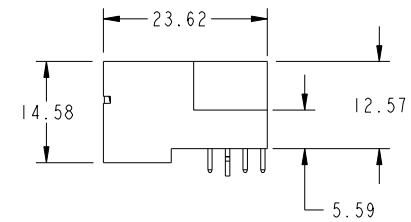
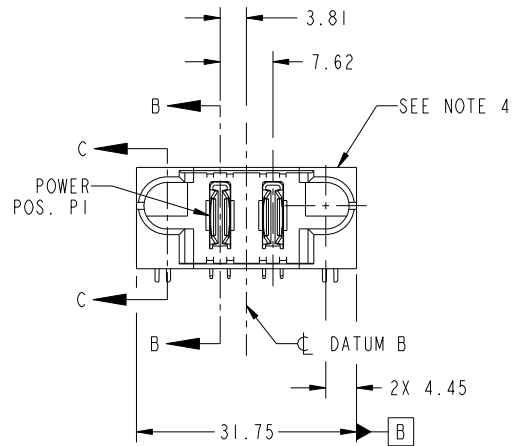


Tous droits strictement reserves. Reproduction ou communication a des tiers interdite sous quelque forme que ce soit sans autorisation écrite du propriétaire. Propriete de c FCI. Droits de reproduction FCI.

All rights strictly reserved. Reproduction or issue to third parties in any form whatever is not permitted without written authority from the proprietor. Property of FCI. Copyright FCI.



PRODUCT NO. 51939-389_ NOTE 3	POWER			
	E1	P1	P2	E2



CODE	DIM "M" MATING LENGTH	CONTACT TYPE
PA	[N/A]	POWER
HA	[N/A]	HOLD-DOWN

mat'l code				SEE NOTE	tolerances unless otherwise specified		CUSTOMER				
ltr	ecn no.	dr	date	linear	0.X ±0.5	projection	COPY	www.fciconnect.com			
A	DG08-0330	WD	11/26/08	angles	0.XX ±0.25			title			
				dr	0.XXX ±0.1			2ACP			
				enr	0° ±2°			RIGHT ANGLE SOLDER HEADER			
				chr	Warren Du 10/28/08	scale	1:1	product family	PwrBlade		
				appr	Warren Du 10/28/08			size	A	code	213
					Gary Hsieh 10/28/08			dwg no	51939-389	sheet	1 of 4
					JOSEPH HSIA 10/28/08						
sheet index	revision sheet	A	A	A	A						
		1	2	3	4						

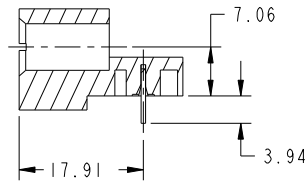
cage code 22526

Tous droits strictement reserves. Reproduction ou communication a des tiers interdite sous quelque forme que ce soit sans autorisation écrite du propriétaire. Propriete de c FCI. Droits de reproduction FCI.

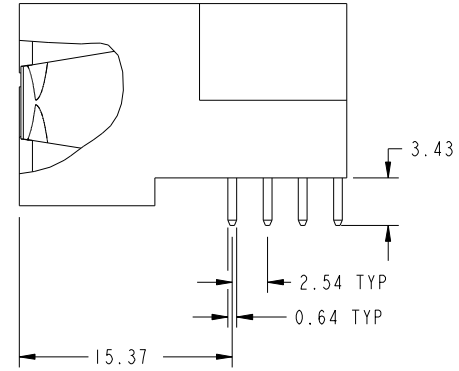


All rights strictly reserved. Reproduction or issue to third parties in any form whatever is not permitted without written authority from the proprietor. Property of FCI. Copyright FCI.

PRODUCT NUMBER
51939-389__
NOTE: 3



SECTION C-C



BROKEN-OUT SECTION B-B
SCALE 2:1

mat'l code				SEE NOTE		tolerances unless otherwise specified		CUSTOMER		FCI	
ltr	ecn no.	dr	date	linear	0.X ±0.5		COPY		www.fciconnect.com		
A					0.XX ±0.25		projection		title		
					0.XXX ±0.1				2ACP RIGHT ANGLE SOLDER HEADER		
				angles	0° ±2°				product family		code
				dr	Warren Du	10/28/08	scale		PwrBlade		213
				enr	Warren Du	10/28/08	1:1		size		sheet
				chr	Gary Hsieh	10/28/08	A		dwg no		2 of 4
				appd	JOSEPH HSIA	10/28/08			51939-389		
sheet index	revision sheet										

cage code 22526

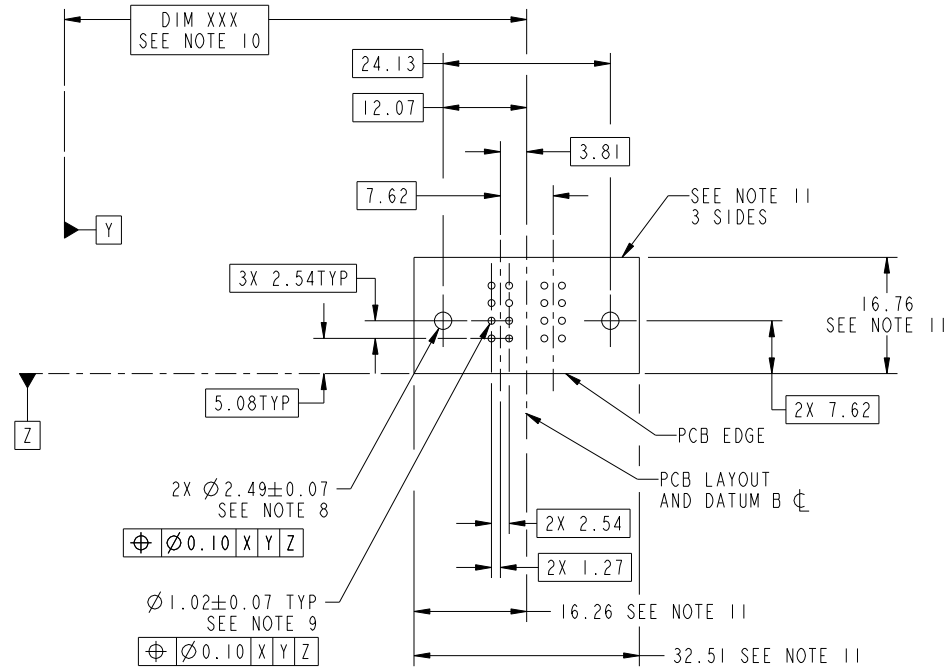
Pro/E

Tous droits strictement reserves. Reproduction ou communication a des tiers interdite sous quelque forme que ce soit sans autorisation écrite du propriétaire. Propriete de c FCI. Droits de reproduction FCI.



All rights strictly reserved. Reproduction or issue to third parties in any form whatever is not permitted without written authority from the proprietor. Property of FCI. Copyright FCI.

PRODUCT NUMBER
51939-389__
NOTE: 3



RECOMMENDED PCB LAYOUT

mat'l code		SEE NOTE		tolerances unless otherwise specified		CUSTOMER		FCI	
ltr	ecn no.	dr	date	linear	0.X ±0.5	COPY		www.ficconnect.com	
A					0.XX ±0.25	projection		title	
				angles	0.XXX ±0.1			2ACP RIGHT ANGLE SOLDER HEADER	
				dr	0° ±2°	MIM		product family PwrBlade code	
				enr	Warren Du 10/28/08			size 213	
				chr	Warren Du 10/28/08	scale		dwg no 3 of 4	
				appd	Gary Hsieh 10/28/08	1:1		51939-389	
					JOSEPH HSIA 10/28/08			3 of 4	
sheet index	revision sheet								

cage code 22526

Pro/E

Tous droits strictement reserves. Reproduction ou communication a des tiers interdite sous quelque forme que ce soit sans autorisation ecrite du proprietaire. Propriete de c FCI. Droits de reproduction FCI.



All rights strictly reserved. Reproduction or issue to third parties in any form whatever is not permitted without written authority from the proprietor. Property of FCI. Copyright FCI.

PRODUCT NUMBER
51939-389__
NOTE: 3

NOTES:

1. DIMENSIONS AND TOLERANCES ARE IN ACCORDANCE WITH ASME Y14.5M, 1994 UNLESS OTHERWISE SPECIFIED.

CONNECTOR NOTES:

- 2. HOUSING MATERIAL: UL 94 V-0 GLASS FILLED HIGH-TEMP THERMOPLASTIC
POWER CONTACT MATERIAL: COPPER ALLOY
SIGNAL PIN MATERIAL: COPPER ALLOY
- 3. SEE ITEM 1 & 2 IN PRINT 10064183 FOR PLATING SPEC OF 51939-389 AND 51939-389LF RESPECTIVELY.
- 4. MANUFACTURER'S NAME, P/N, AND DATE CODE TO APPEAR ON THIS SURFACE.
- 5. PRODUCT SPECIFICATION GS-12-149.
APPLICATION SPECIFICATION BUS-20-067.
- 6. PACKAGED IN TRAYS.

PCB NOTES:

- 7. ALL HOLE DIAMETERS ARE FINISHED HOLE SIZE.
- 8. MOUNTING HOLES, WHERE APPLICABLE, ARE UNPLATED.
- 9. $\varnothing 1.151 \pm 0.025$ DRILLED HOLES PLATED WITH
0.008 MIN SnPb OR Sn OVER 0.03
TO 0.08 Cu PLATING TO ACHIEVE
 $\varnothing 1.02 \pm 0.07$ HOLE.
- 10. "DIM XXX" TO BE DETERMINED BY THE CUSTOMER.
- 11. CONNECTOR KEEP-OUT ZONE.

mat'l code				SEE NOTE	tolerances unless otherwise specified		CUSTOMER		
ltr	ecn no.	dr	date	linear	0.X ± 0.5	COPY	www.fciconnect.com		
A				linear	0.XX ± 0.25	projection	title 2ACP		
				angles	0.XXX ± 0.1		RIGHT ANGLE SOLDER HEADER		
				dr	0° ± 2°		product family	PwrBlade	code
				enr	Warren Du 10/28/08	← MIM →	size	dwg no	213
				chr	Warren Du 10/28/08	scale	A	51939-389	sheet
				appd	Gary Hsieh 10/28/08	1:1			4 of 4
					JOSEPH HSIA 10/28/08				
sheet index	revision sheet								

cage code 22526

Pro/E